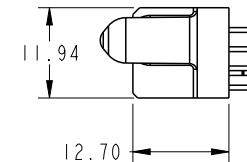
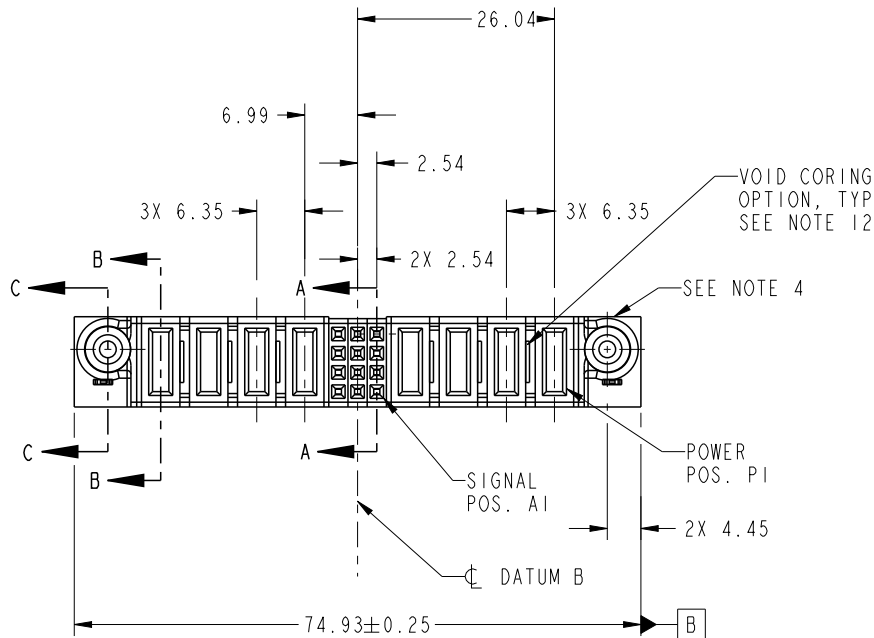


PRODUCT NO.	ROWS	POWER		SIGNAL				POWER						
		E2	P8	P7	P6	P5	3	2	1	P4	P3	P2	P1	E1
51750-121-- NOTE: 3	D C B A		PD	PA	PA	PA	PA	PA	PA	PA	PA	PA	PD	

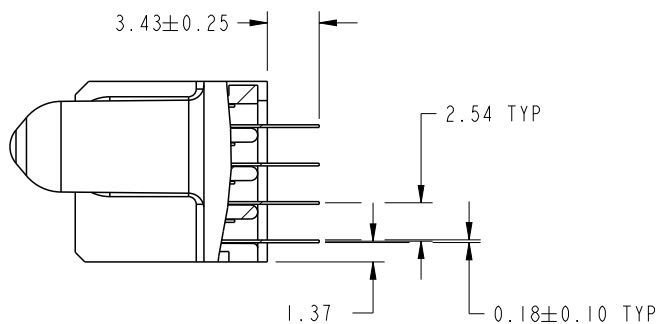


CODE	DIM "M" MATING LENGTH	CONTACT TYPE
E	[N/A]	SIGNAL
PA	[1.07]	POWER
HA	[N/A]	HOLD-DOWN
PD	[2.34]	POWER

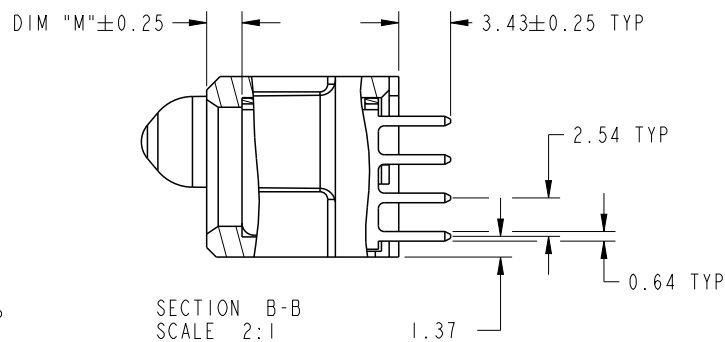
spec ref	*	dr	X Q Wang	2012/03/28	projection	MM	size	A4	scale	1:1					
tolerance std	TOLERANCES UNLESS OTHERWISE SPECIFIED	eng	X Q Wang	2012/05/16			ecn no	-							
SEE NOTE		chr	-	-	product family		PwrBlade	rel level	Released						
surface	linear	0.X	±0.5		4P + 12S + 4P	www.fci.com	cat. no.	*	Product - Customer Drw	sheet 1 of 4					
		0.XX	±0.25								VERTICAL SOLDER RECEPT	dwg no	51750-121	rev	A
		0.XXX	±0.1												
	angular	0°	±2°												

PRODUCT NUMBER

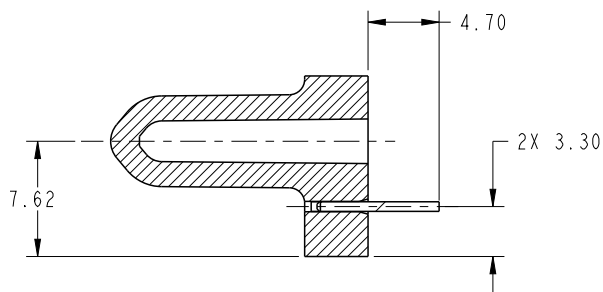
51750-121__
NOTE: 3



SECTION A-A
SCALE 2:1



SECTION B-B
SCALE 2:1

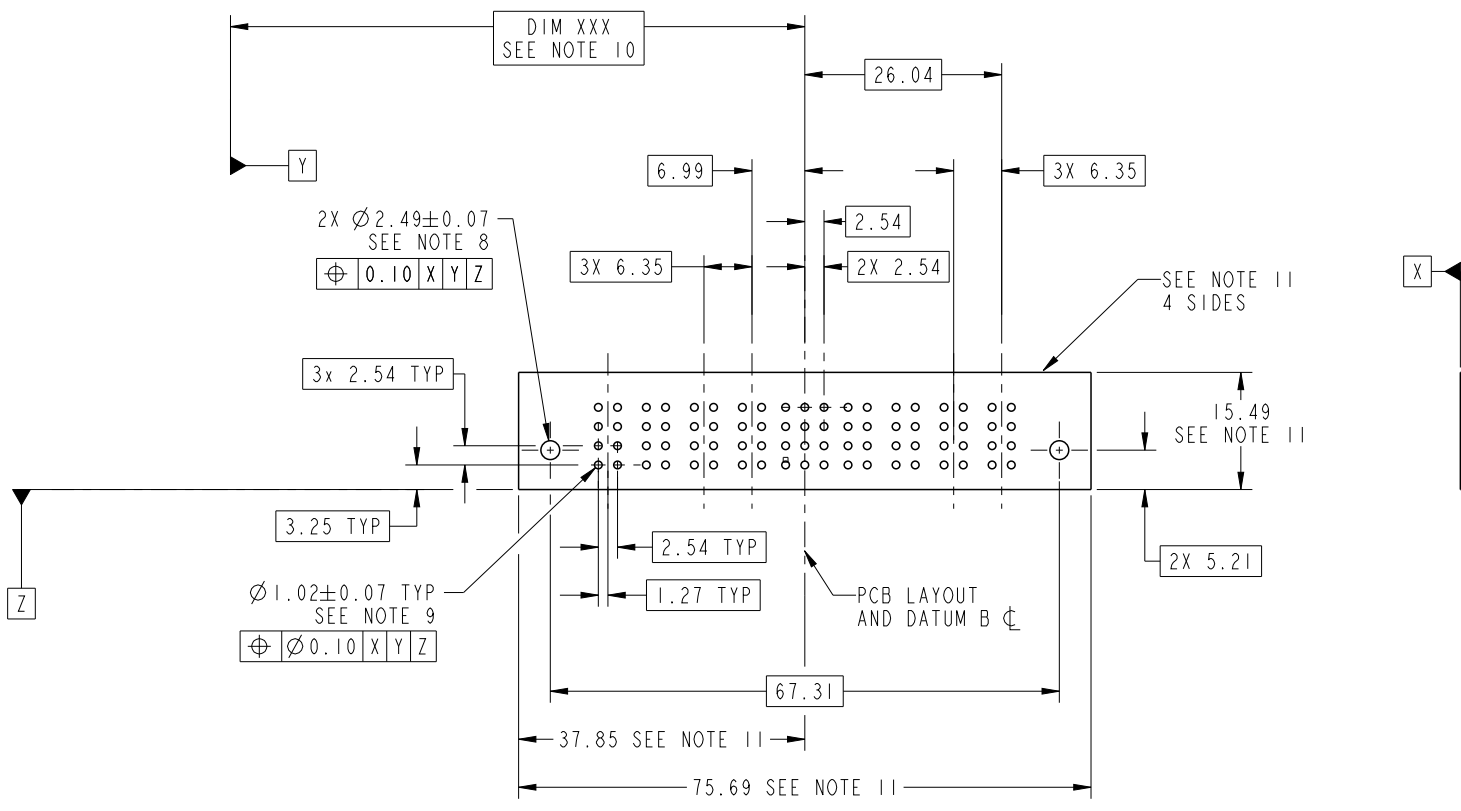


SECTION C-C
SCALE 2:1

dr	X Q Wang	2012/03/28	projection 	MM 	size	A4	scale	1:1
eng	X Q Wang	2012/05/16			ecn no	-		
chr	-	-			rel level	Released		
appr	Pei-Ming Zheng	2012/05/16	product family	PwrBlade	rev	A		
		title 4P + 12S + 4P VERTICAL SOLDER RECEIPT	dwg no 51750-121	cat. no. *	Product - Customer Drw	sheet 2 of 4		

PRODUCT NUMBER

51750-121__
NOTE: 3



RECOMMENDED PCB LAYOUT

dr	X Q Wang	2012/03/28	projection 	MM 	size	A4	scale	1:1
eng	X Q Wang	2012/05/16			ecn no	-		
chr	-	-			rel level	Released		
appr	Pei-Ming Zheng	2012/05/16	product family	PwrBlade	rev	51750-121	A	
		title	4P + 12S + 4P VERTICAL SOLDER RECEPT		dwg no	51750-121	rev	A
www.fci.com	cat. no.	*	Product - Customer Drw			sheet 3 of 4		

PRODUCT NUMBER

51750-121--
NOTE: 3

NOTES:

1. DIMENSIONS AND TOLERANCES ARE IN ACCORDANCE WITH ASME Y14.5M, 1994 UNLESS OTHERWISE SPECIFIED.

CONNECTOR NOTES:

- ② HOUSING MATERIAL: UL 94 V-0 GLASS FILLED HIGH-TEMP THERMOPLASTIC
POWER CONTACT MATERIAL: COPPER ALLOY
SIGNAL PIN MATERIAL: COPPER ALLOY
- 3. SEE ITEM 5 & 6 IN PRINT 10064183 FOR PLATING SPEC OF 51750-121 AND 51750-121LF RESPECTIVELY.
- ④ MANUFACTURER'S NAME, DATE CODE AND OPTIONAL P/N TO APPEAR ON THIS SURFACE. THE P/N CAN BE OMITTED IF THERE IS NOT ENOUGH SPACE ON THIS SURFACE.
- 5. PRODUCT SPECIFICATION GS-12-149.
APPLICATION SPECIFICATION BUS-20-067.
- 6. PACKAGED IN TRAYS.
- PCB NOTES:
- 7. ALL HOLE DIAMETERS ARE FINISHED HOLE SIZE.
- ⑧ MOUNTING HOLES, WHERE APPLICABLE, ARE UNPLATED.
- ⑨ $\varnothing 1.151 \pm 0.025$ DRILLED HOLES PLATED WITH
0.008 MIN SnPb OR Sn OVER 0.03
TO 0.08 Cu PLATING TO ACHIEVE
 $\varnothing 1.02 \pm 0.07$ HOLE.
- ⑩ "DIM XXX" TO BE DETERMINED BY THE CUSTOMER.
- ⑪ CONNECTOR KEEP-OUT ZONE.
- 12. THE VOID CORING IN BETWEEN POWER MODULES, SIGNAL MODULES AND END MODULES ARE OPTIONAL AND THE SHAPE MAY BE DIFFERENT FOR OPTIMIZE THE MOLDING PROCESS. THE VOID CORING WILL NOT EFFECT TO PRODUCT FUNCTION.



Copyright FCI.

dr	X Q Wang	2012/03/28	projection 	MM 	size	A4	scale	1:1	
eng	X Q Wang	2012/05/16			ecn no	-			
chr	-	-			product family	PwrBlade	rel level	Released	
appr	Pei-Ming Zheng	2012/05/16			title	4P + 12S + 4P		rev	A
www.fci.com		cat. no.	*	Product - Customer Drw	dwg no	51750-121		sheet 4 of 4	