



161 Alden Road, Units 7 & 8, Markham, Ontario Canada L3R 3W7

Tel: +1 416 754-3322

Fax: +1 416-754-3299

Email: info@edac.net

http://www.edac.net

ENGINEERING CHANGE NOTICE

Originator: _____ Phone No. _____ Email Address: _____ Department _____	Harsh Patel	Date: May 13, 2021	Document Number ECN20210513-00
	(416) 754-3322	Revision Number 1	SHEET 1 of 5
	Hpatel@edac.net		
	ENGINEERING		

CHANGE TYPE

- CLASS I** Customer notification and approval required prior to implementation
- CLASS II** Customer notification only, no approval required
- CLASS III** No customer notification required

REASON OF CHANGE

Discontinuance / End of Life of Part No-690-024-632-031 (USB 3.1 TYPE C FEMALE, 30u" Au Plating) & 690-024-633-031 (USB 3.1 TYPE C FEMALE SMT, 30u" Au Plating)

DESCRIPTION OF CHANGE:

- EDAC decided to discontinue above parts due to low demand.
- Effective implementation to distribution is on May 13, 2021

PARTIES AFFECTED

- Customer
- Distributors
- Suppliers

- NORCOMP
- MH
- ETW

- ECA
- EDG
- EDAC UK

KEY TARGET DUE DATES IF CHANGE IS APPROVED TO PROCEED (check if applicable and show target dates as known)

<input type="checkbox"/> Submit Quote _____	<input type="checkbox"/> PPAP from Supplier _____
<input type="checkbox"/> Prod. Trial Run _____	<input type="checkbox"/> MRD of Production Parts _____
<input type="checkbox"/> Run at Rate _____	

ACKNOWLEDGEMENT FOR ECN INITIATION: (OPTIONALS)

<input type="checkbox"/> Tooling Rep _____	<input type="checkbox"/> Process Eng Rep _____
<input type="checkbox"/> Mfg Eng Rep _____	<input type="checkbox"/> Facilities Rep _____
<input type="checkbox"/> Production Rep _____	<input type="checkbox"/> Sales Rep. _____
<input type="checkbox"/> Materials Rep _____	<input type="checkbox"/> Product Eng. Rep. _____
<input type="checkbox"/> Quality Rep _____	<input type="checkbox"/> Purchasing Rep _____

STATUS	
APPROVED	<input type="checkbox"/>
CCS CHANGE REQUEST #	
REJECTED	<input type="checkbox"/>
Change REJECTED by:	
Rejected Date:	

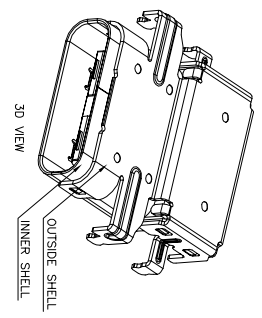
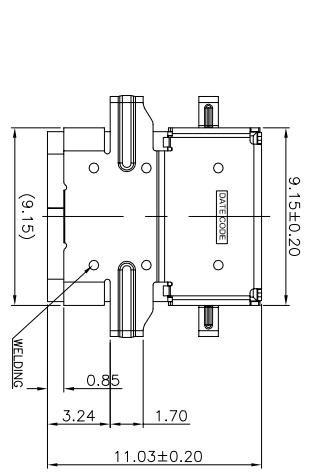
APPROVALS FOR ECN INITIATION (REQUIRED)

	President _____		Engineering Manager _____	Ronnie Sta. Monica
	Vice President Bob Sakitkovski		Mechanical Engineer _____	Harsh Patel

MINIMUM OF TWO SIGNATURES REQUIRED

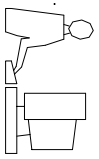


THIS SERIES FULLY CONFORMS TO THE
EUROPEAN UNION DIRECTIVES
2011/65/EU FOR ROHS COMPLIANCY.

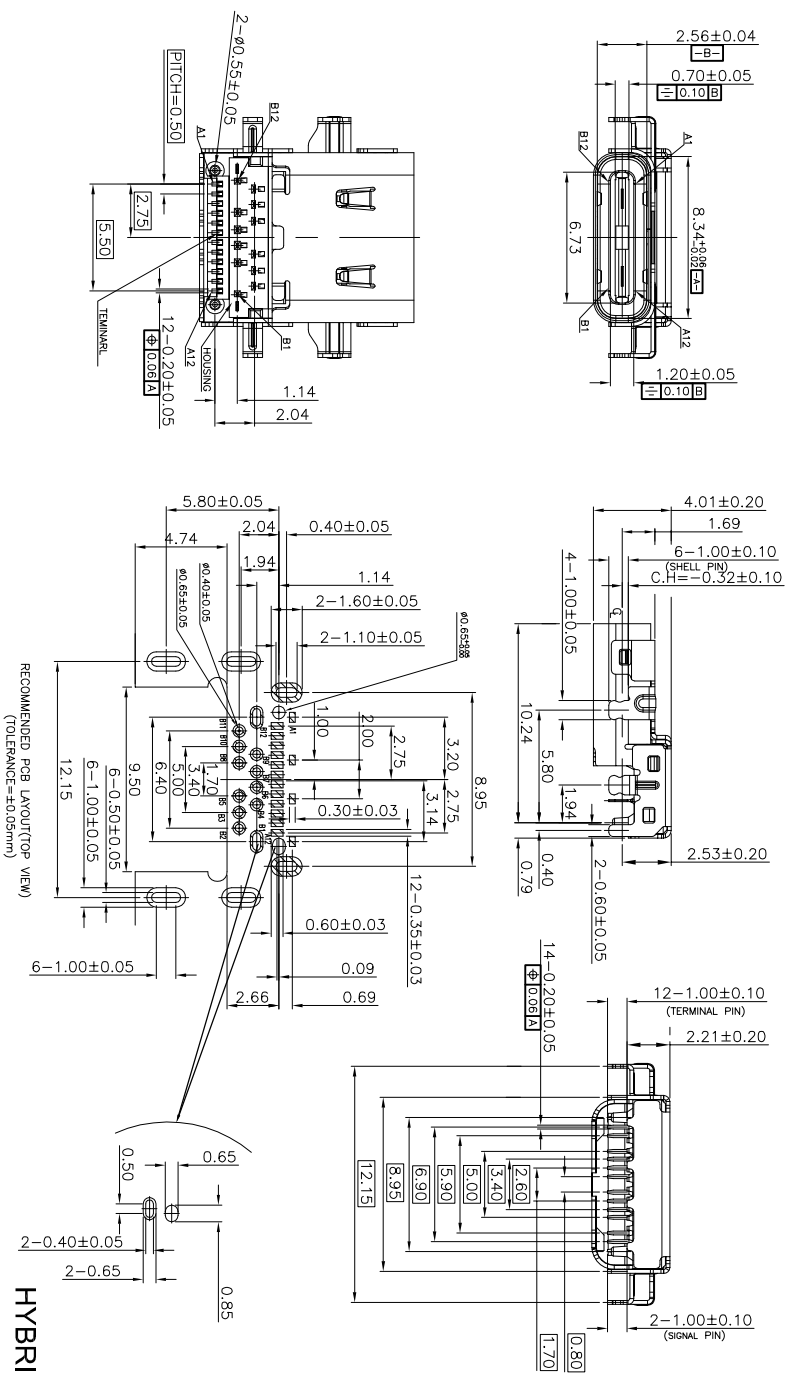


TOLERANCE UNLESS OTHERWISE SPECIFIED IN MM:	ANGLE
0.0	0, 1.3°
0.00	0.0 ±2°
0.000	±0.15
	0.00 ±1°

THIS IS A C.A.D. GENERATED DRAWING
DO NOT MAKE MANUAL REVISIONS TO MASTER.



ISSUE NUMBER
CANCEL P/N ORIGINAL ①
690-024-232-031
P.M. MAY.13/2021 ②



HYBRID MOUNT (THRU-HOLE AND SURFACE MOUNT)

- NOTES:
1. MATERIAL:
 - 1.1 OUTSIDE SHELL: SUS301R-1/2H T=0.20mm
 - 1.2 INNER SHELL: SUS301R-1/2H T=0.20mm
 - 1.3 SIGNAL: SUS301R-1/2H T=0.10mm
 - 1.4 RFI PAD: SUS301R-1/2H T=0.08mm
 - 1.5 HOUSING: LCP+50%G.F. UL94UL-0 BLACK
 - 1.6 TERMINARL: COPPER ALLOY T=0.10mm
 2. PLATING SPECIFICATION
 - 2.1 TERMINAL: GOLD PLATING ON MATING AREA, MATTE Sn 120~200u" ON SOLDERING AREA, 80~150u" NICKEL UNDER PLATING OVERALL
 - 2.2 SHELL: NICKEL PLATED 60u"MIN.
 3. MECHANICAL PERFORMANCE
 - 3-1. INSERTION FORCE: 5N~20N.
 - 3-2. WITHDRAWAL FORCE: 8N~20N.
 - 3-3. DURABILITY: 10000 CYCLES.
 4. ELECTRICAL PERFORMANCE
 - 4-1. CURRENT RATING: 1A.
 - 4-2. ILLCR: CONTACT: 40 mΩ MAX(INITIAL), 4-3. INSULATION RESISTANCE: UNMATED: 100 MΩ MIN., 4-4. DIELECTRIC WITHSTAND VOLTAGE: 100V AC.
 5. I.R. REFLOW:

THE PEAK TEMPERATURE ON BOARD SHALL BE MAINTAINED FOR 10 SECONDS AT 260±5°C.
 6. OPERATING TEMPERATURE RANGE: -40°C~85°C (WITHOUT LOSS FUNCTION).

PART NUMBERS	
GOLD FLASH	690-024-232-031
15u" GOLD	690-024-332-031

USB 3.1 TYPE C FEMALE

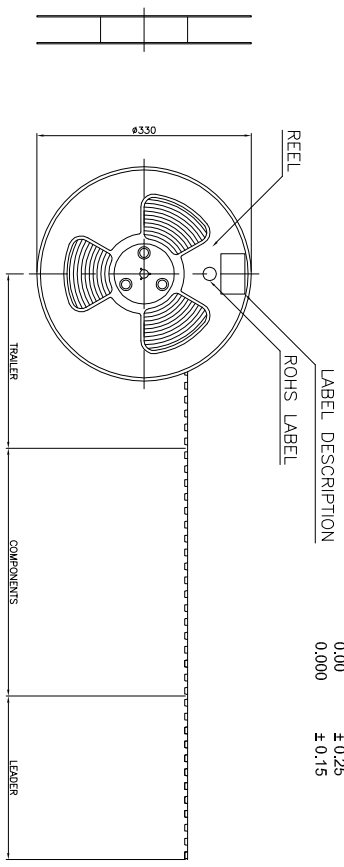
EDAC INC
TORONTO, ONTARIO
CANADA
YOUR CONNECTION TO QUALITY & SERVICE

THESE DRAWINGS AND SPECIFICATIONS ARE THE PROPERTY OF EDAC INC. AND SHALL NOT BE REPRODUCED OR COPIED OR USED AS THE BASIS FOR THE MANUFACTURE OR SALE OF APPARATUS WITHOUT WRITTEN PERMISSION.

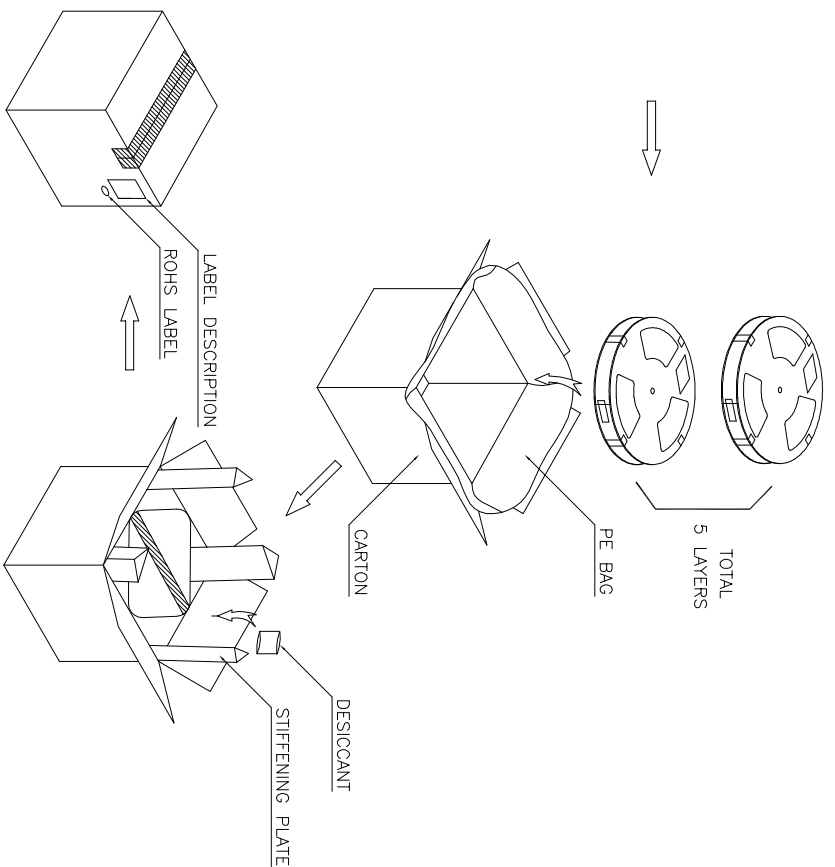
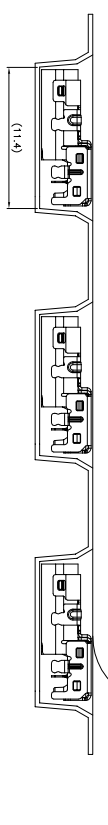
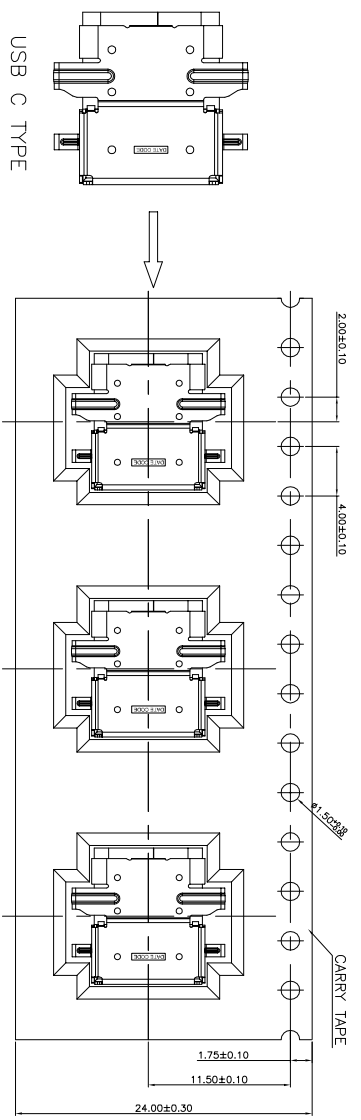
ACAD REFERENCE NO.:	690-024-232-031
DRAWN: N.SONDH	DATE: JUN.29/2015
CHECKED: R.S.M.	DATE: MAY. 13/2021
PART NUMBER	SEE TABLE
DRAWING NUMBER	690-024-232-031
	SHEET 1 OF 2
	ISSUE
	2

TOLERANCE UNLESS OTHERWISE SPECIFIED IN MM:

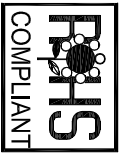
TOLERANCE	ANGLE
0.0	0°
±0.25	±3°
±0.25	0.0
±0.15	±2°
0.00	0.00
	±1°



GATHER MATERIAL DIRECTION INPUT MATERIAL DIRECTION



- Notes:
1. THE START AND END OF EACH REEL, BASED ON THE ACTUAL QUANTITY, RESERVED 5--15PCS SPACE;
 2. COVER TAPE AND CARRY TAPE PEEL: 10g~130g; PEEL DEG.:165°~175°;
 3. QTY: 700PCS/REEL, 5REEL/CARTON, TOTAL 3500PCS/CARTON;



THIS SERIES FULLY CONFORMS TO THE EUROPEAN UNION DIRECTIVES 2011/65/EU FOR ROHS COMPLIANCY.

USB 3.1 TYPE C FEMALE

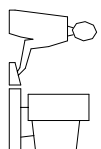
EDAC INC
TORONTO, ONTARIO
CANADA
YOUR CONNECTION TO QUALITY & SERVICE

THESE DRAWINGS AND SPECIFICATIONS ARE THE PROPERTY OF EDAC INC. AND SHALL NOT BE REPRODUCED OR COPIED OR USED AS THE BASIS FOR THE MANUFACTURE OR SALE OF APPARATUS WITHOUT WRITTEN PERMISSION.

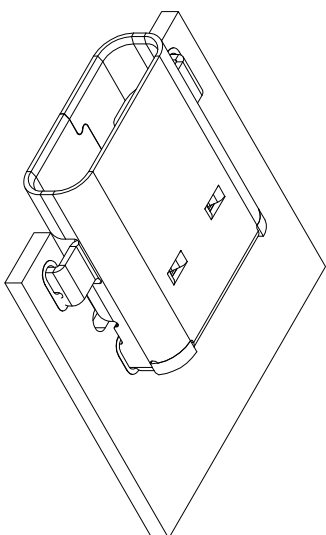
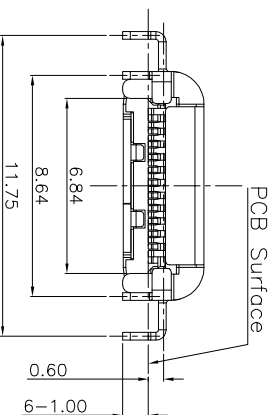
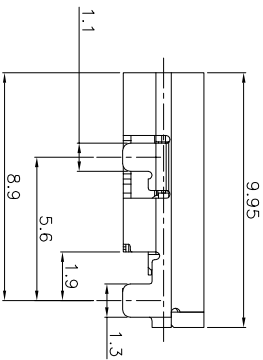
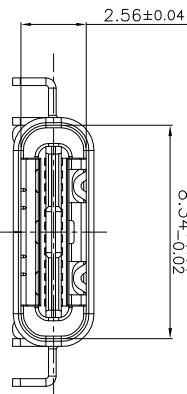
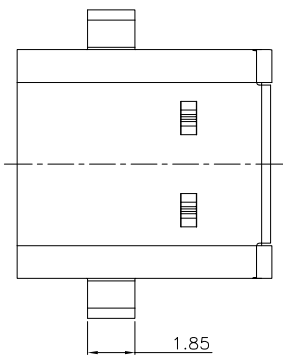
ACAD REFERENCE NO.: 690-024-232-031	
DRAWN: N.SONDH	DATE: JUN.29/2015
CHECKED: R.S.M.	DATE: MAY.13/2021
PART NUMBER	SHEET 2 OF 2
SEE TABLE	
DRAWING NUMBER	ISSUE
690-024-232-031	2

TOLERANCE UNLESS OTHERWISE SPECIFIED IN MM:
 .000 ± 0.10
 .00 ± 0.20
 .0 ± 0.30
 ANGLE ± 2

THIS IS A C.A.D. GENERATED DRAWING
 DO NOT MAKE MANUAL REVISIONS TO MASTER.



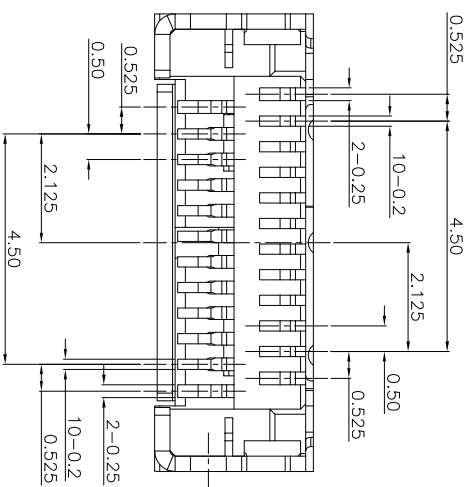
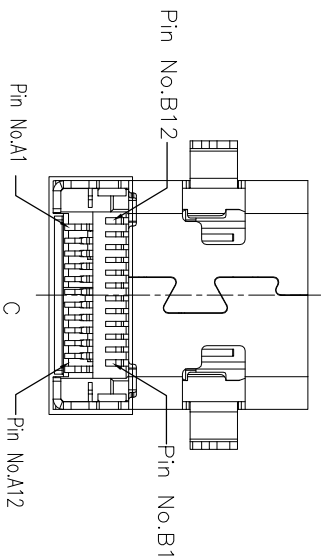
ISSUE NUMBER	ORIGINAL
1	
2	DRAWING UPDATED N.SONDH MAR 01/2016
3	CANCEL PIN 690-024-233-031 MAY 13/2021



PART NUMBERS	
GOLD FLASH	690-024-233-031
15u" GOLD	690-024-333-031

NOTES:

- 1.MATERIAL:**
 HOUSING: LCP,305GF,UL94V-0,COLOR:BLACK
 CONTACT: COPPER ALLOY
 SHELL: STAINLESS STEEL
 GUARD: STAINLESS STEEL
 SPRING: STAINLESS STEEL
- 2.Finish:**
 CONTACT: GOLD PLATING ON CONTACT AREA
 GOLD FLASH PLATING ON SOLDERTAILS
 80u"Min Ni UNDERPLATING OVER ALL
 SHELL: 50u"Min NIPPLATING OVER ALL.
- 3.PRODUCT SPECIFICATION:**
 VOLTAGE RATING:100V AC
 INSULATION RESISTANCE:100M Ω MIN
 CONTACT RESISTANCE: 40mΩ MAX
 INSERT FORCE: 5-20N MAX.
 EXTRACT FORCE: 8-20N MIN.
 DURABILITY : 10000 CYCLES



DETAIL C (SCALE 2:1)



THIS SERIES FULLY CONFORMS TO THE
 EUROPEAN UNION DIRECTIVES
 2011/65/EU FOR ROHS COMPLIANCY.

USB 3.1 TYPE C FEMALE SMT

(Mid - Mount, Dual - Row SMT)



EDAC INC
 TORONTO, ONTARIO
 CANADA

THESE DRAWINGS AND SPECIFICATIONS
 ARE THE PROPERTY OF EDAC INC, AND
 SHALL NOT BE REPRODUCED, OR COPIED
 OR USED AS THE BASIS FOR THE
 MANUFACTURE OR SALE OF APPARATUS
 WITHOUT WRITTEN PERMISSION.

YOUR CONNECTION TO QUALITY & SERVICE

ACAD REFERENCE NO.: 690-024-233-031

DRAWN: N.SONDH DATE: JUN.24/2015

CHECKED: R.S.M. DATE: MAY.13/2021

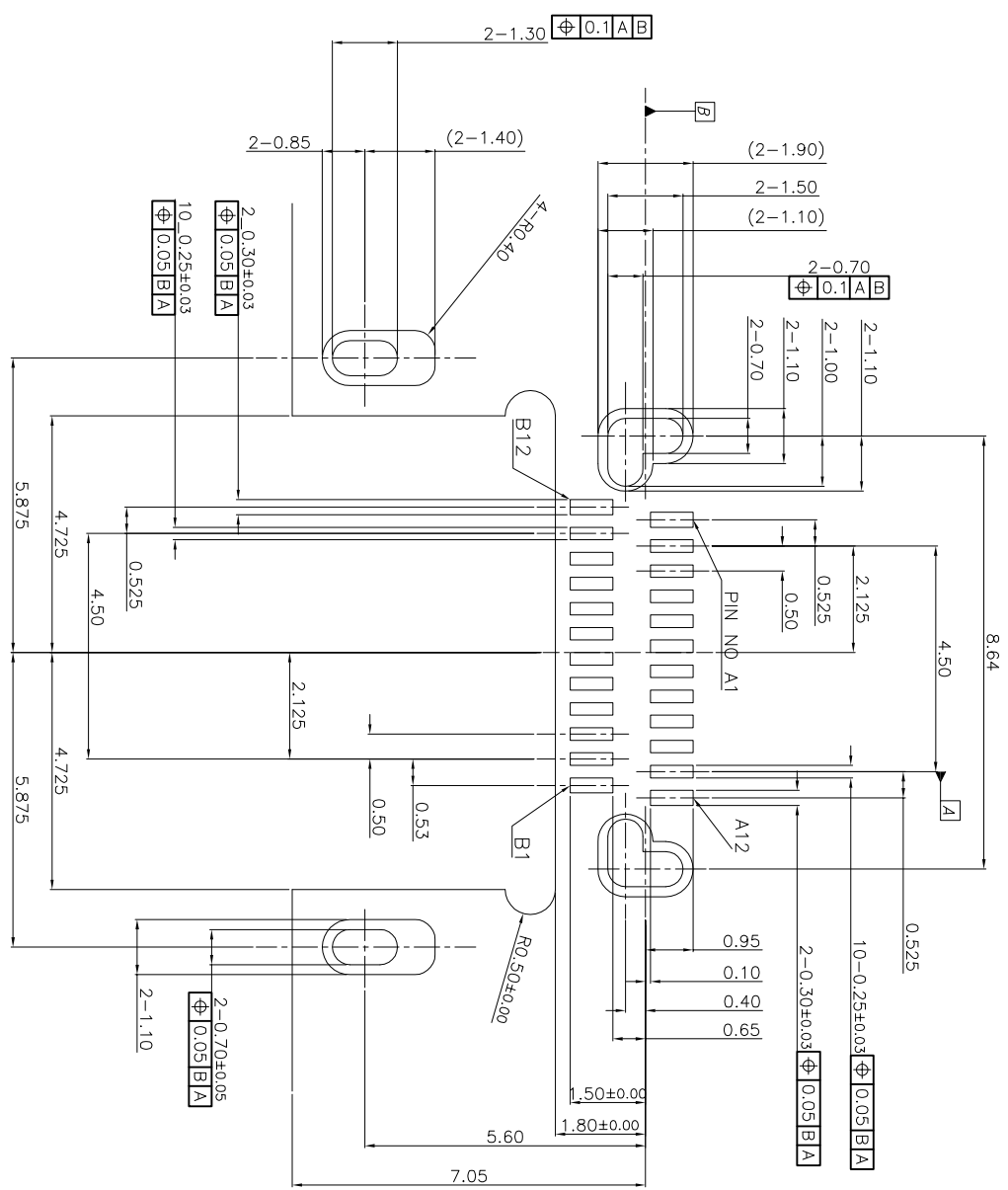
PART NUMBER SHEET 1 OF 2

SEE TABLE ISSUE

DRAWING NUMBER 690-024-233-031

3

TOLERANCE UNLESS OTHERWISE SPECIFIED IN MM:
 ± 0.10
 ± 0.20
 ± 0.30
 ± 0.50
 ANGLE ± 2°



PIN NUMBER	SIGNAL NAME	DESCRIPTION
A1	GND	Ground Return
A2	SSTX+	SuperSpeed differential pair
A3	SSTX-	SuperSpeed differential pair
A4	VBUS	Bus Power
A5	CC1	Configuration Channel
A6	D+	USB 2.0 differential pair
A7	D-	USB 2.0 differential pair
A8	RFU1	Reserved for Future use
A9	VBUS	Bus Power
A10	SSRX-	SuperSpeed differential pair
A11	SSRX+	SuperSpeed differential pair
A12	GND	Ground Return

PIN NUMBER	SIGNAL NAME	DESCRIPTION
B12	GND	Ground Return
B11	SSRX+	SuperSpeed differential pair
B10	SSRX-	SuperSpeed differential pair
B9	VBUS	Bus Power
B8	RFU2	Reserved for Future use
B7	D-	USB 2.0 differential pair
B6	D+	USB 2.0 differential pair
B5	CC2	Configuration Channel
B4	VBUS	Bus Power
B3	SSTX-	SuperSpeed differential pair
B2	SSTX+	SuperSpeed differential pair
B1	GND	Ground Return

NOTE: Tx and Rx are defined from the host perspective



THIS SERIES FULLY CONFORMS TO THE EUROPEAN UNION DIRECTIVES 2011/65/EU FOR ROHS COMPLIANCY.

USB 3.1 TYPE C FEMALE SMT

(Mid - Mount, Dual - Row SMT)

EDAC INC
 TORONTO, ONTARIO
 CANADA
 YOUR CONNECTION TO QUALITY & SERVICE

ACAD REFERENCE NO. : 690-024-233-031	DATE: JUN:24/2015	SHEET 2 OF 2
DRAWN: N.SONDH	DATE: MAY:13/2021	ISSUE
CHECKED: R.S.M.		3
PART NUMBER	SEE TABLE	
DRAWING NUMBER	690-024-233-031	