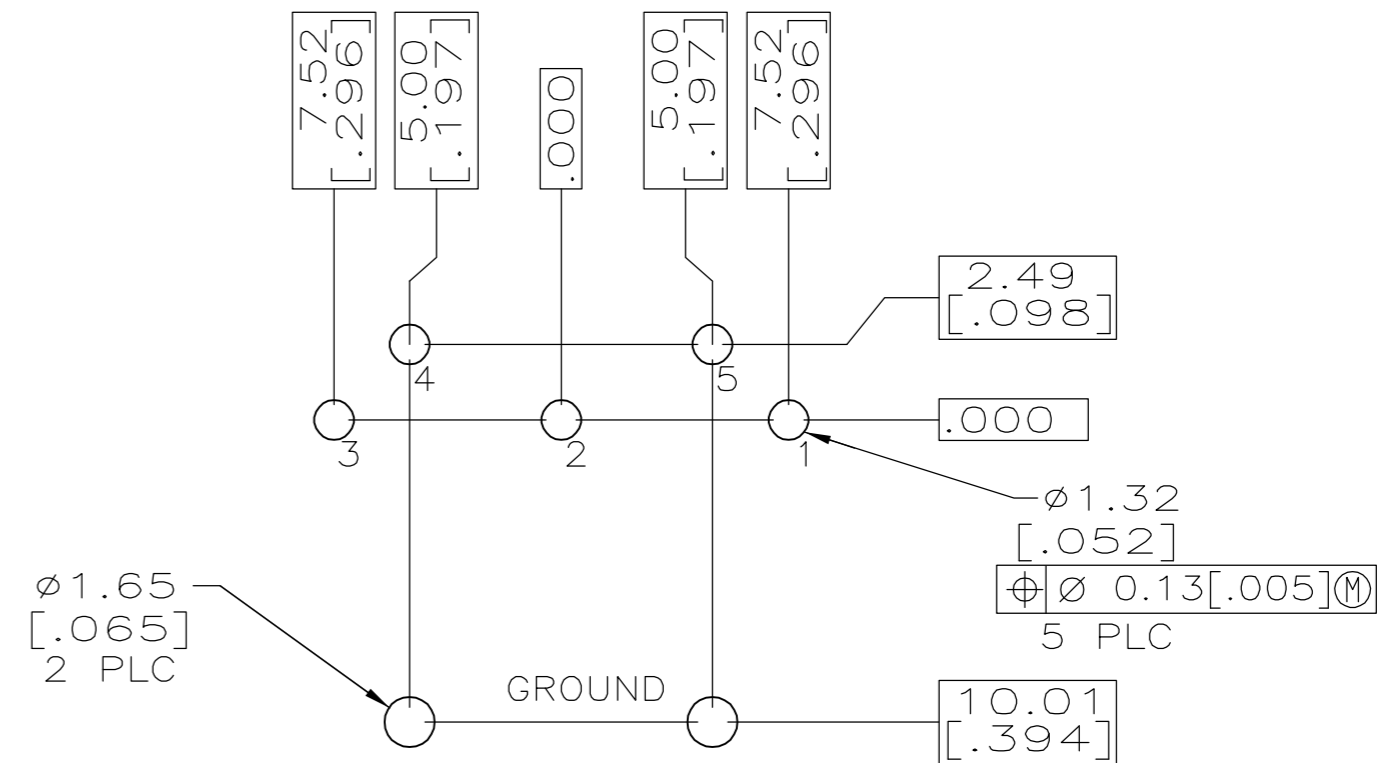
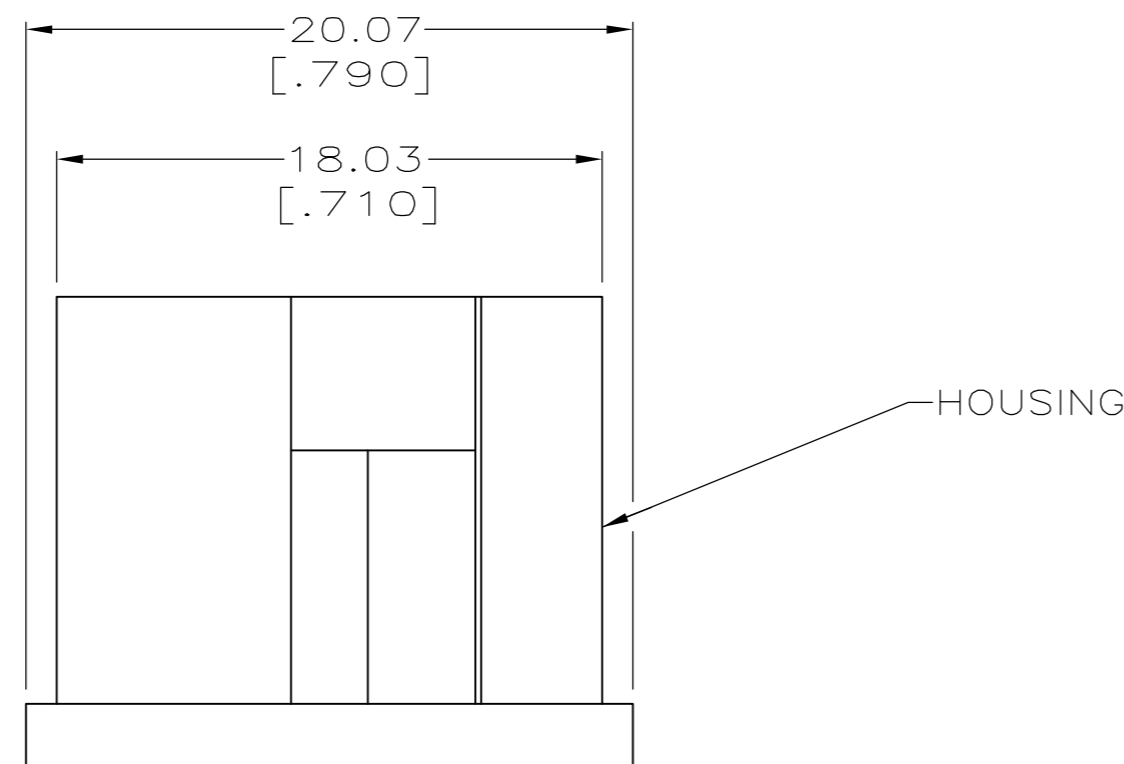
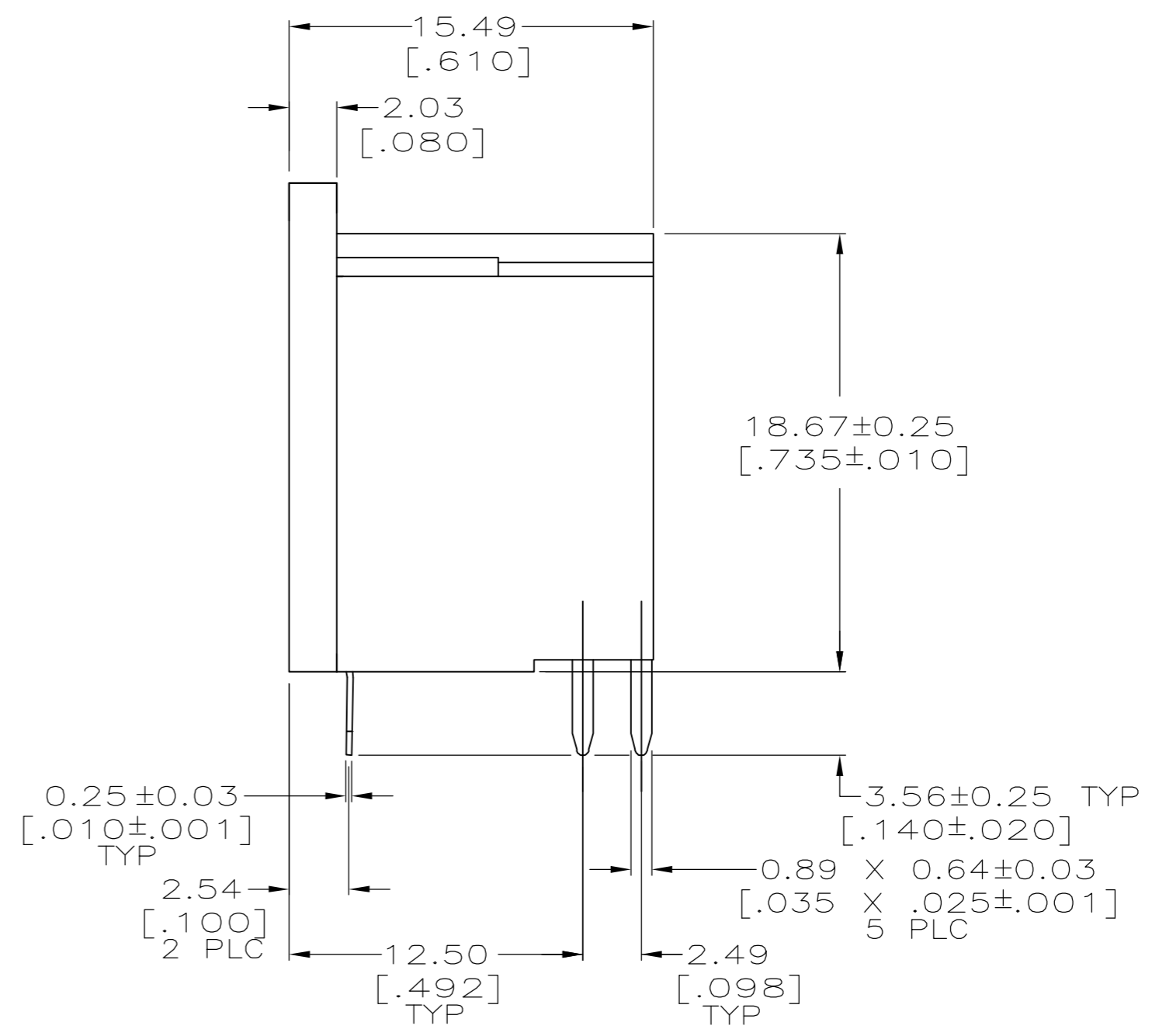
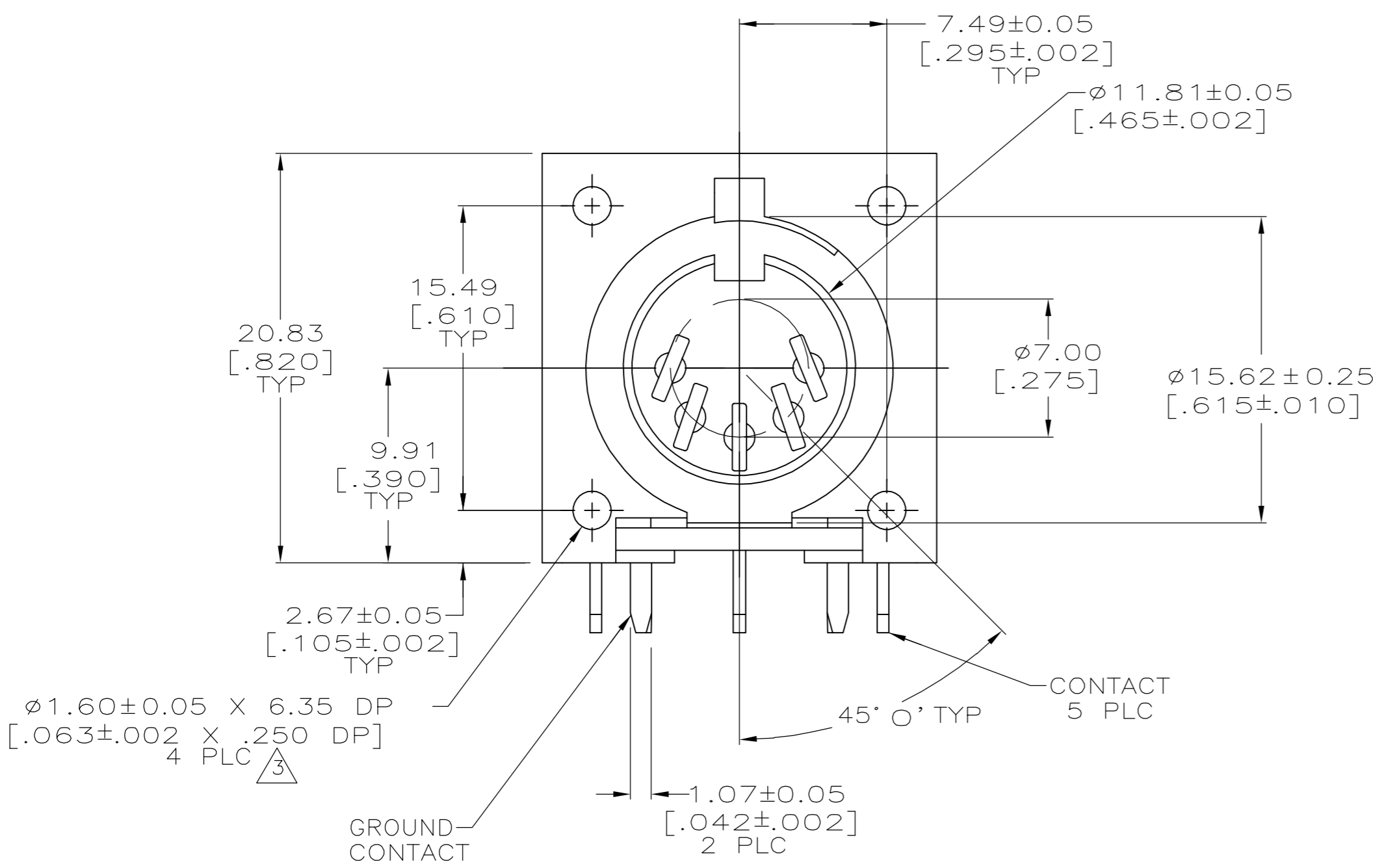


THIS DRAWING IS UNPUBLISHED. RELEASED FOR PUBLICATION
 © COPYRIGHT BY TYCO ELECTRONICS CORPORATION. ALL RIGHTS RESERVED.

| LOC | | DIST | | REVISIONS | | | |
|-----|-----|-------------|--|---------------------------|---------|---------|--|
| P | LTR | DESCRIPTION | | DATE | DWN | APVD | |
| GP | 00 | 01 | | REVISED PER ECO-07-008008 | 10APR07 | JDP/CWR | |



SUGGESTED PC BOARD LAYOUT & CIRCUIT IDENTIFICATION Δ 4



- Δ 1 HOUSING: NYLON, UL 94V-0 RATED, BLACK.
- Δ 2 CONTACTS & GROUND CONTACT: 2.54 μ m [.000100] MIN TIN OVER 1.27 μ m [.000050] MIN NICKEL.
- Δ 3 ACCEPTS #2 SELF-TAPPING SCREW, .250 LONG REF.
- Δ 4 CIRCUIT IDENTIFICATION IS BASED ON THE INDUSTRY STANDARD. THE VIEW OF THE COMPONENT SIDE OF THE PANEL.
- Δ 5 CONTACTS & GROUND CONTACT: BRASS PER ASTM B36.

5212476-1
 PART NUMBER

| | | | | |
|--|--|--------------------------------|---|----------------------|
| THIS DRAWING IS A CONTROLLED DOCUMENT. | | DWN L. VARELA - DOCK5 11-12-04 | tyco Tyco Electronics Corporation | |
| DIMENSIONS: mm [INCHES] | | CHK C. ROHDE 11-12-04 | Harrisburg, PA 17105-3608 | |
| TOLERANCES UNLESS OTHERWISE SPECIFIED: | | APVD M. WALMSLEY 11-12-04 | RECEPTACLE ASSY, 5 POSITION, CIRCULAR DIN | |
| 0 PLC ± - | | PRODUCT SPEC 108-10047 | - | |
| 1 PLC ± - | | APPLICATION SPEC 114-40025 | SIZE A2 | RESTRICTED TO - |
| 2 PLC ± 0.13[.005] | | MATERIAL Δ 1 Δ 5 | CAGE CODE 00779 | DRAWING NO C=5212476 |
| 3 PLC ± - | | FINISH Δ 2 | WEIGHT - | SCALE 4:1 |
| 4 PLC ± - | | CUSTOMER DRAWING | | |
| ANGLES ± 0° 30' | | SHEET 1 of 1 | | |
| REV 01 | | REV 01 | | |