



# Product Change Notification

## TE Connectivity

Product Change Notification: P-22-023021

PCN Date: 07-JUL-22

TE would like to inform you of the following change(s) to the listed TE Connectivity Product. In case of any further questions about this change(s), please contact your TE Connectivity Sales Engineer. Affected part, drawing and/or specification numbers are listed on the attached sheet(s).

**General Product Description:**

CeeLok FAS-T, Plug Kit.

**Description of Changes**

Dear Customer, you are being notified about a TE Customer Drawing clarification. Change is attributed to a Drafting Error/Typo. The clocking rotation described in section C4 will go from Clockwise to Counter Clockwise to align with current product design. The supplied product will remain the same, as the change does not affect current Form, Fit or Function.

**Other attachments:**

[Marked up drawing. Changes explained.](#)

**Reason for Changes:**

Document clarification. Dear Customer, we hereby inform you about a Non Form, Fit or Function TE Customer Drawing clarification. The design of the components and finished good will remain the same, however, you will see a change to the TE Customer Drawing. This change does not affect product's Form, Fit or Function.

**Estimated Dates:**

<b>Last Order Date</b> (Obsolete Parts Only):	<b>First Date To Ship</b> (Changed Parts Only):
	14-JUL-2022
<b>Last Ship Date</b> (Obsolete Parts Only):	<b>Last Date for Mixed Shipments:</b> (Changed Parts Only):
	No Mixed Shipments

**Part Number(s) being Modified:**

Part Number	Part Discontinued per PCN	Customer Drawing	Customer Part Number	Alias Part Number(s)	Substitute Part Number	Substitute Alias Part Number(s)	Description Of Difference
-------------	---------------------------	------------------	----------------------	----------------------	------------------------	---------------------------------	---------------------------

Part Number	Part Discontinued per PCN	Customer Drawing	Customer Part Number	Alias Part Number(s)	Substitute Part Number	Substitute Alias Part Number(s)	Description Of Difference
<a href="#">2102353-1</a>	NO						
<a href="#">2102353-2</a>	NO			"EL5366-000", "AMP-0-2102353-2"			
<a href="#">2102353-3</a>	NO						
<a href="#">2102353-4</a>	NO						
<a href="#">2102353-5</a>	NO			"EP7941-000", "AMP-0-2102353-5"			
<a href="#">2102353-6</a>	NO						

**Part Number(s) being Modified:**

Part Number	Part Discontinued per PCN	Customer Drawing	Customer Part Number	Alias Part Number(s)	Substitute Part Number	Substitute Alias Part Number(s)	Description Of Difference
<a href="#">2102353-1</a>	NO						
<a href="#">2102353-2</a>	NO			"EL5366-000", "AMP-0-2102353-2"			
<a href="#">2102353-3</a>	NO						
<a href="#">2102353-4</a>	NO						
<a href="#">2102353-5</a>	NO			"EP7941-000", "AMP-0-2102353-5"			
<a href="#">2102353-6</a>	NO						

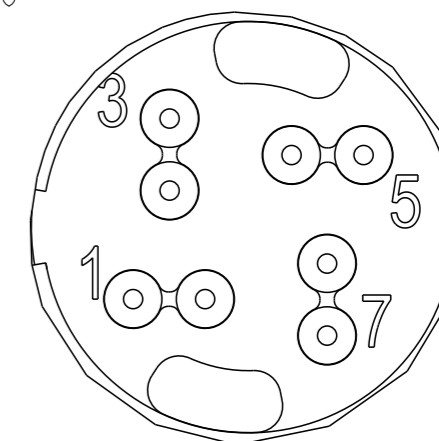
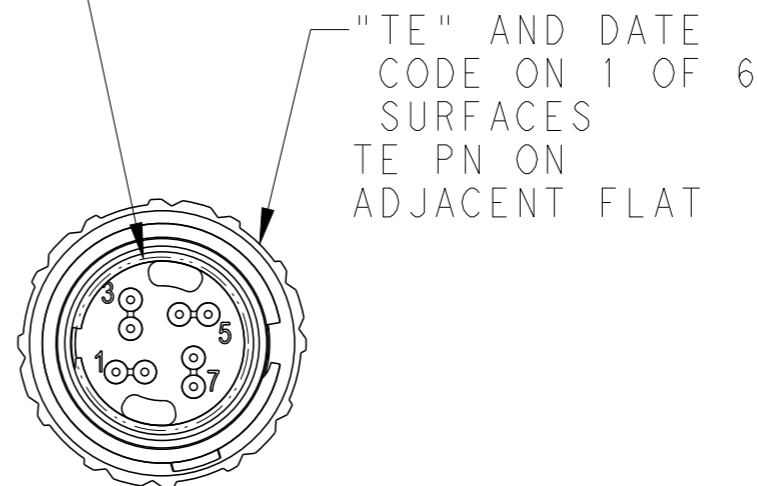
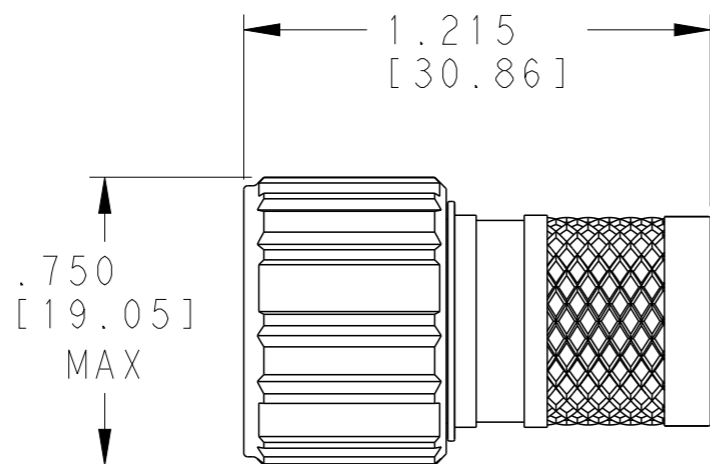
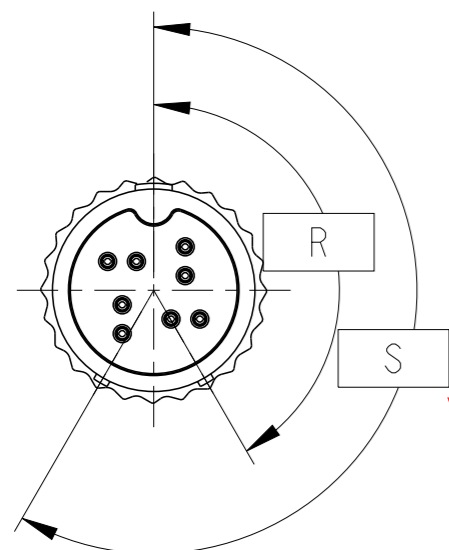
REVISIONS

P	LTR	DESCRIPTION	DATE	DWN	APVD
	F	REV PER ECO 20-010434	7-27-20	CT	DM

KEY OPTION	KEY ROTATION	
	"R"	"S"
NORMAL	150°	210°
A	140°	215°
B	132°	248°

**NOTE:**  
NO CHANGES TO THIS TABLE.

SEE DETAIL A



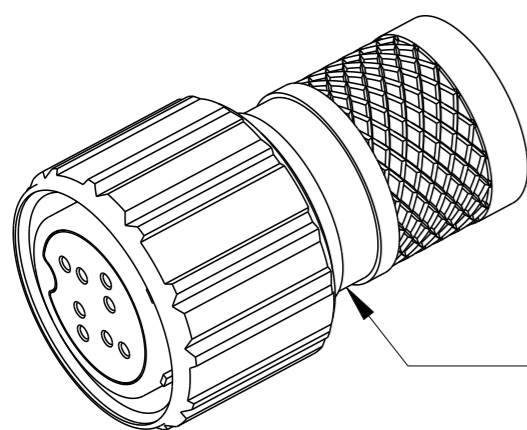
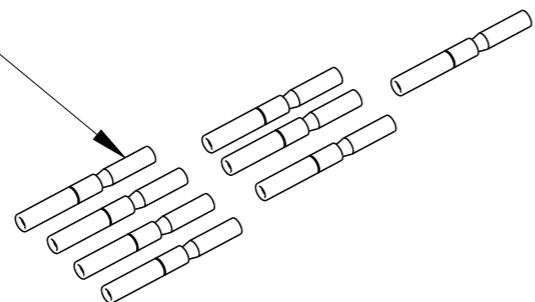
DETAIL A  
SCALE 5:1

PARTS REMOVED FOR CLARIFICATION

**NOTE:**  
ROTATION SHOULD BE COUNTER-CLOCKWISE. SEE DRAWING OF SHELL 2102327 FOR CLOCKING ROTATION REFERENCE. CURRENT ROTATION DESCRIBES RCPT CLOCKING.

- 1, -3 -5 AND -7 ARE ELECTROLESS NICKEL PLATE PER MIL-C-26074.
- 2, -4 AND -6 ARE BLACK ZINC NICKEL PER AMS-2417.
- CONTACTS SHALL BE PACKAGED SEPARATELY IN KIT.

SOCKET CONTACT (2102350-5) -1 THRU -6 ONLY



PLUG ASSEMBLY ALUMINUM SHELL AND NUT SEE TABLE FOR FINISH

---	NORMAL	FINISH	DESCRIPTION	PART NUMBER
10	B	NICKEL PLATE	PLUG ASSEMBLY	2102353-7
10	B	BLACK ZINC NICKEL PLATE	PLUG ASSEMBLY	2102353-6
10	B	NICKEL PLATE	PLUG ASSEMBLY	2102353-5
10	A	BLACK ZINC NICKEL PLATE	PLUG ASSEMBLY	2102353-4
10	A	NICKEL PLATE	PLUG ASSEMBLY	2102353-3
10	NORMAL	BLACK ZINC NICKEL PLATE	PLUG ASSEMBLY	2102353-2
10	NORMAL	NICKEL PLATE	PLUG ASSEMBLY	2102353-1
SOCKET CONTACTS 50µ GOLD PLATE	KEYING OPTION			

THIS DRAWING IS A CONTROLLED DOCUMENT. DIMENSIONING AND TOLERANCING PER ASME Y14.5M (ISO STANDARDS)

DIMENSIONS: INCHES [mm]	TOLERANCES UNLESS OTHERWISE SPECIFIED:
0 PLC	±-
1 PLC	±-
2 PLC	±-
3 PLC	±.005 [0.13]
4 PLC	±-
ANGLES	±-
MATERIAL	FINISH
-	-
-	-

DWN	10 JUN 2011
MCKIBBEN, JOHN	
CHK	10 JUN 2011
DOWHOWER, KENNETH	
APVD	10 JUN 2011
DOWHOWER, KENNETH	
PRODUCT SPEC	108-2482
APPLICATION SPEC	114-32025
WEIGHT	-
CUSTOMER DRAWING	

**STE** TE Connectivity

NAME: PLUG ASSEMBLY KIT

SIZE	CAGE CODE	DRAWING NO	RESTRICTED TO
A3	00779	C-2102353	

SCALE 2:1 SHEET 1 OF 1 REV **G**