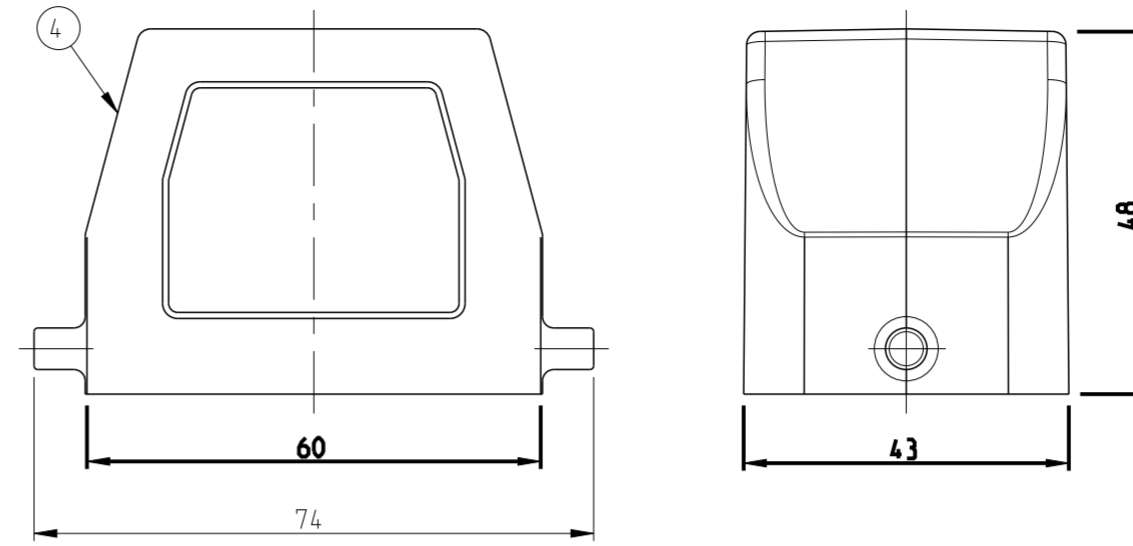
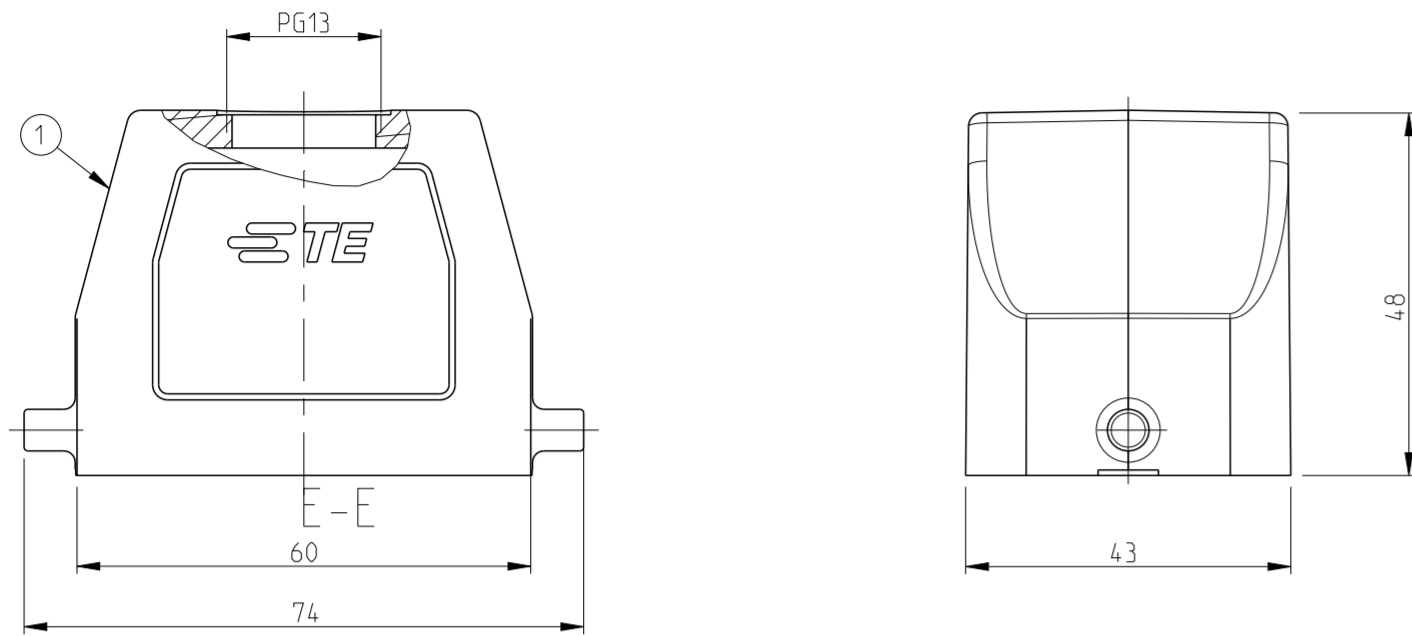


THIS DRAWING IS UNPUBLISHED. RELEASED FOR PUBLICATION 1999
 © COPYRIGHT 1998 ALL RIGHTS RESERVED.

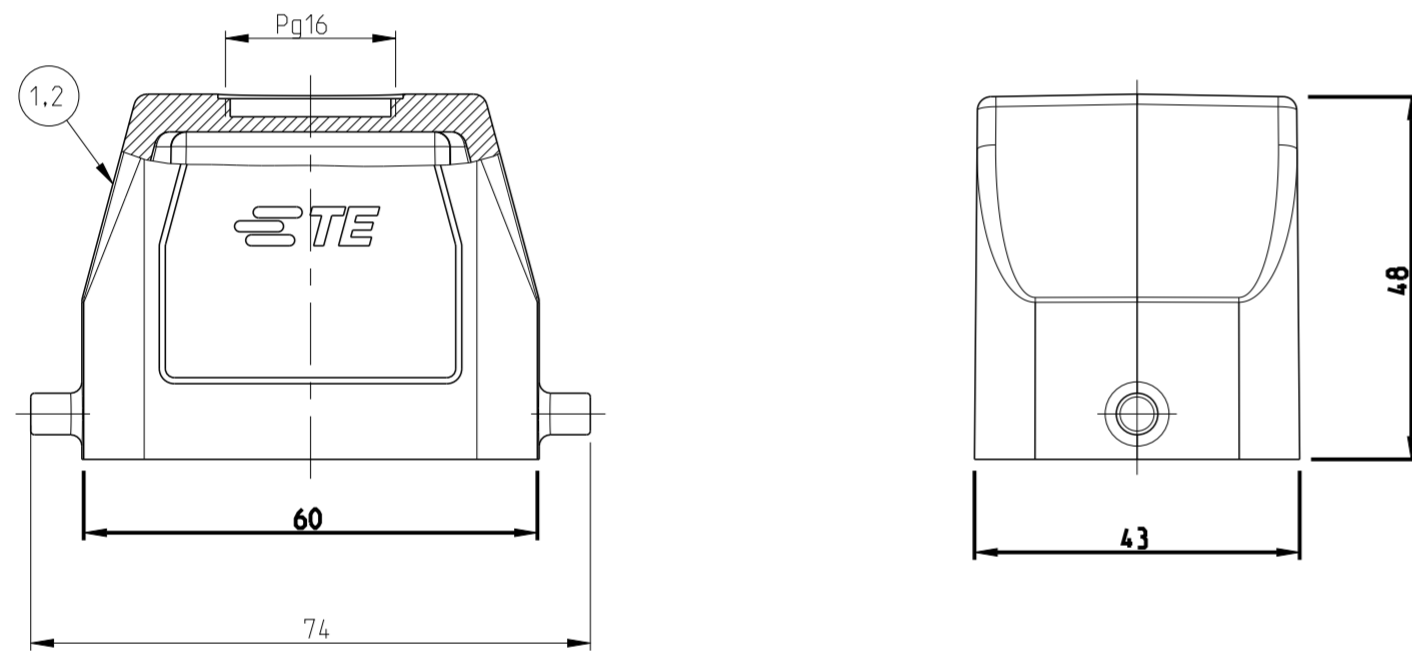
REVISONS				DATE	DWN	APVD
P	LTR	DESCRIPTION				
A8		REVISED PER ECR-21-123293		19FEB2022	RK	JB

PN 0-1

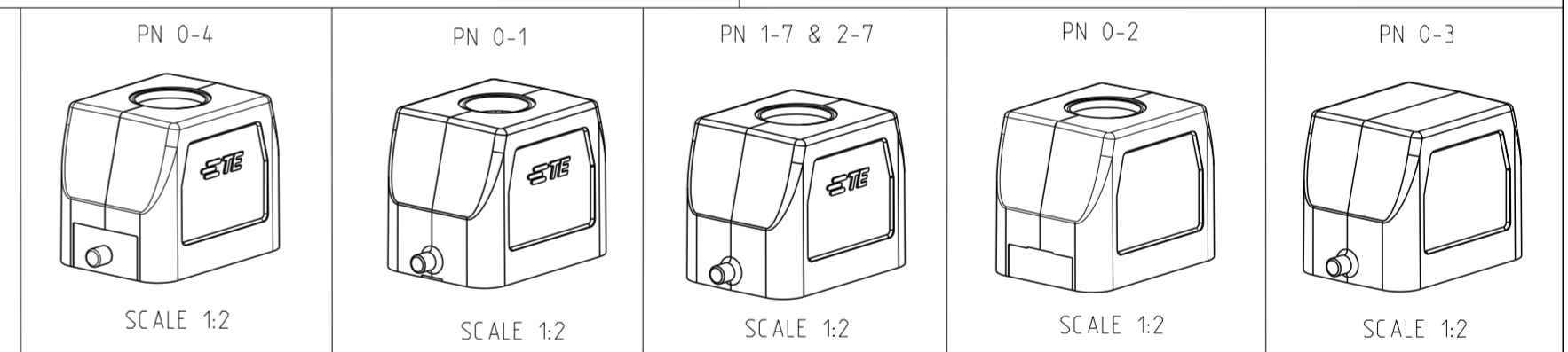
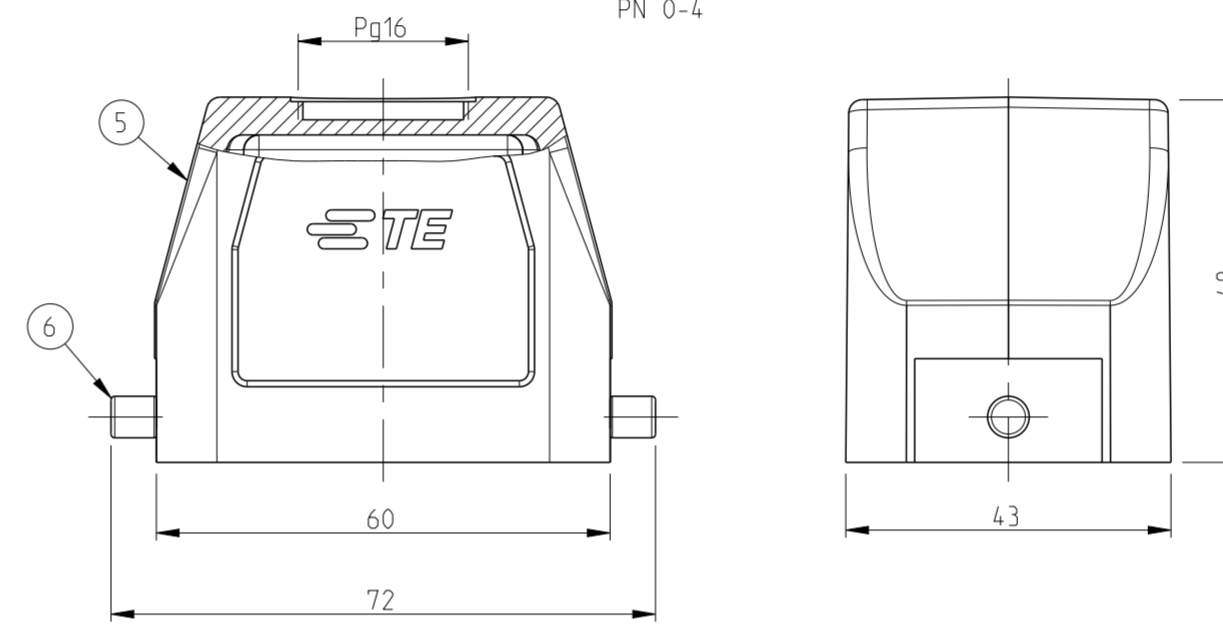


- Notes
- Material: Housing: Aluminium diecasting alloy
 - Surface: - Varnish-grey
Aluminium oxide+
Varnish black/White
 - Varnish on the inside not necessary
 - Packaging
Packaging quantity: 5 pieces in a box
 - OBSELETE

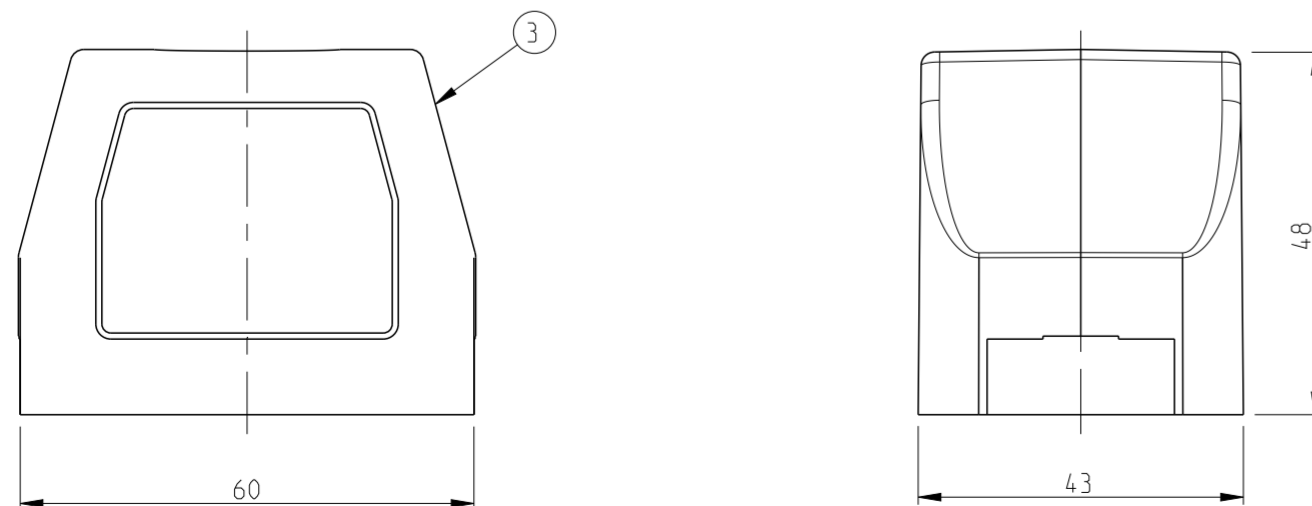
PN 1-7 & 2-7



PN 0-4



PN 0-2



QTY	ITEM NO	DESCRIPTION	MATERIAL	SURFACE	COLOR	ITEM NO	NOTES
5	2	Clip bolt	Stainless steel			6	
1	1	Hood HB-K	Aluminium	Aluminium oxide	Black	5	
	1	Hood HB-K	Aluminium	Aluminium oxide	Black	4	Without PG-Thread
	1	Hood HB	Aluminium	Aluminium oxide	White	3	Without bolt
	1	Hood HB	Aluminium		Grey	2	
	1	Hood HB-K	Aluminium	Aluminium oxide	Black	1	

ORDERING TEXT
 HB-K.6.STO.1.13.G
 HB.6.STO.1.16.G
 HB-K.6.STO.1.16.G
 HB.6.STO.1.16.G
 HB-K.6.ST
 HB-K.6.STO.1.16.G

THIS DRAWING IS A CONTROLLED DOCUMENT.

DWN Schneider 14.03.00
 CHK Schweiger 14.03.00

APVD

PRODUCT SPEC

APPLICATION SPEC

WEIGHT

CUSTOMER DRAWING

NAME

Hood HB.6.STO.1.13/16.G

SIZE A2 CAGE CODE 00779 DRAWING NO C-1102243 RESTRICTED TO

SCALE 1:1 SHEET 1 OF 1 REV A8