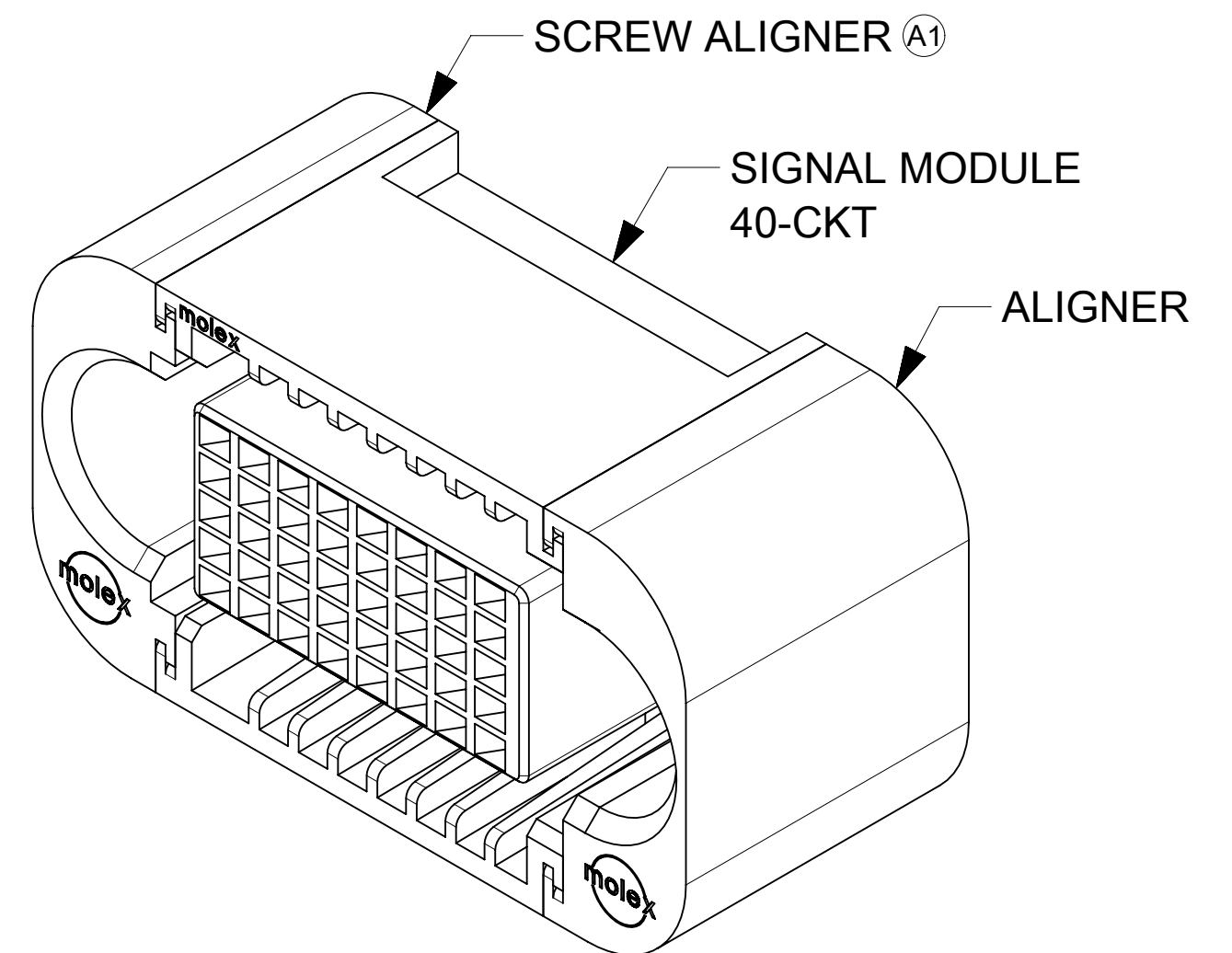
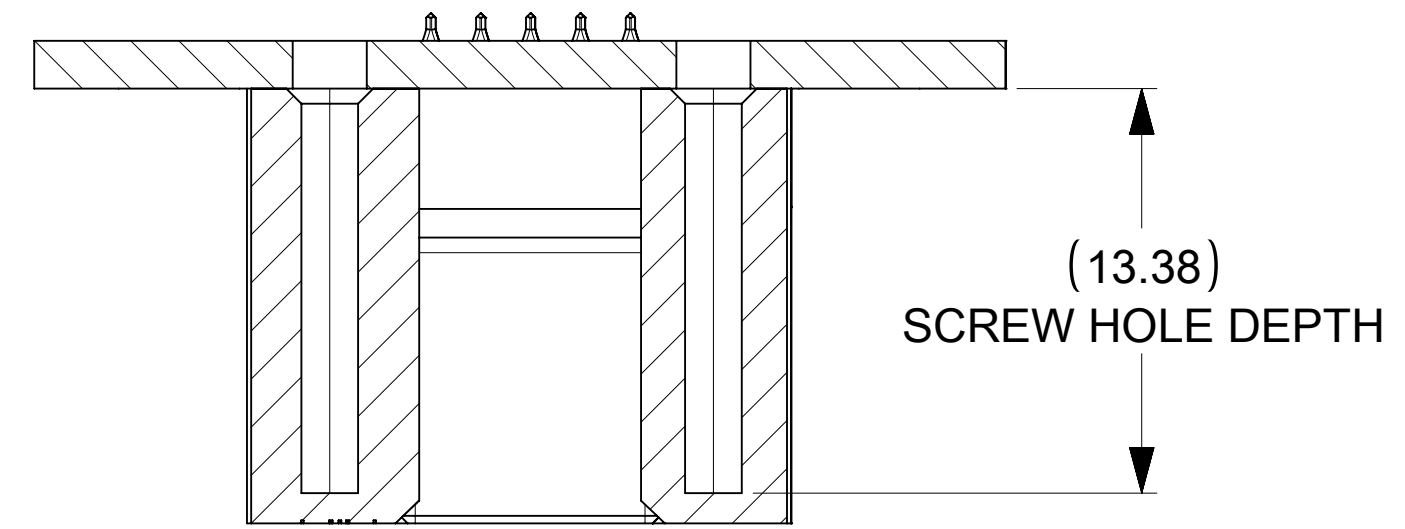
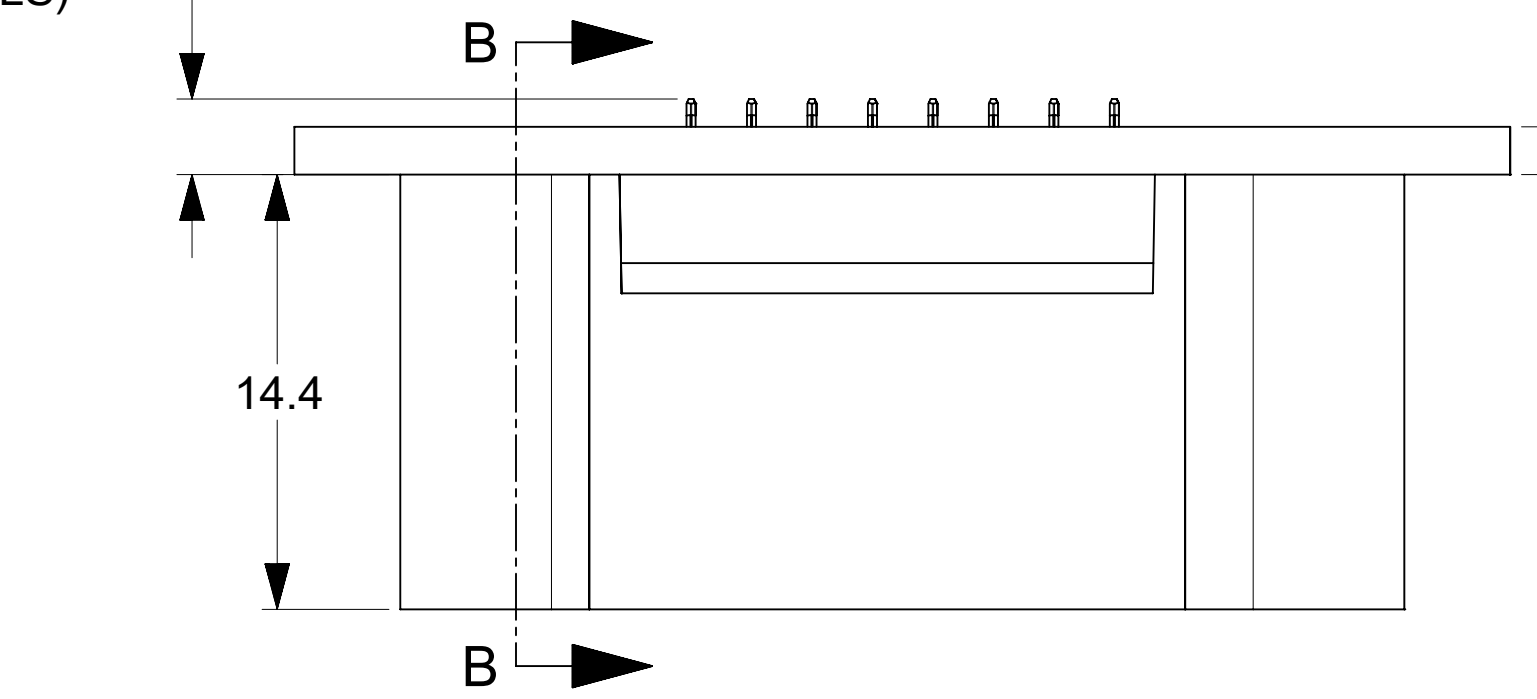


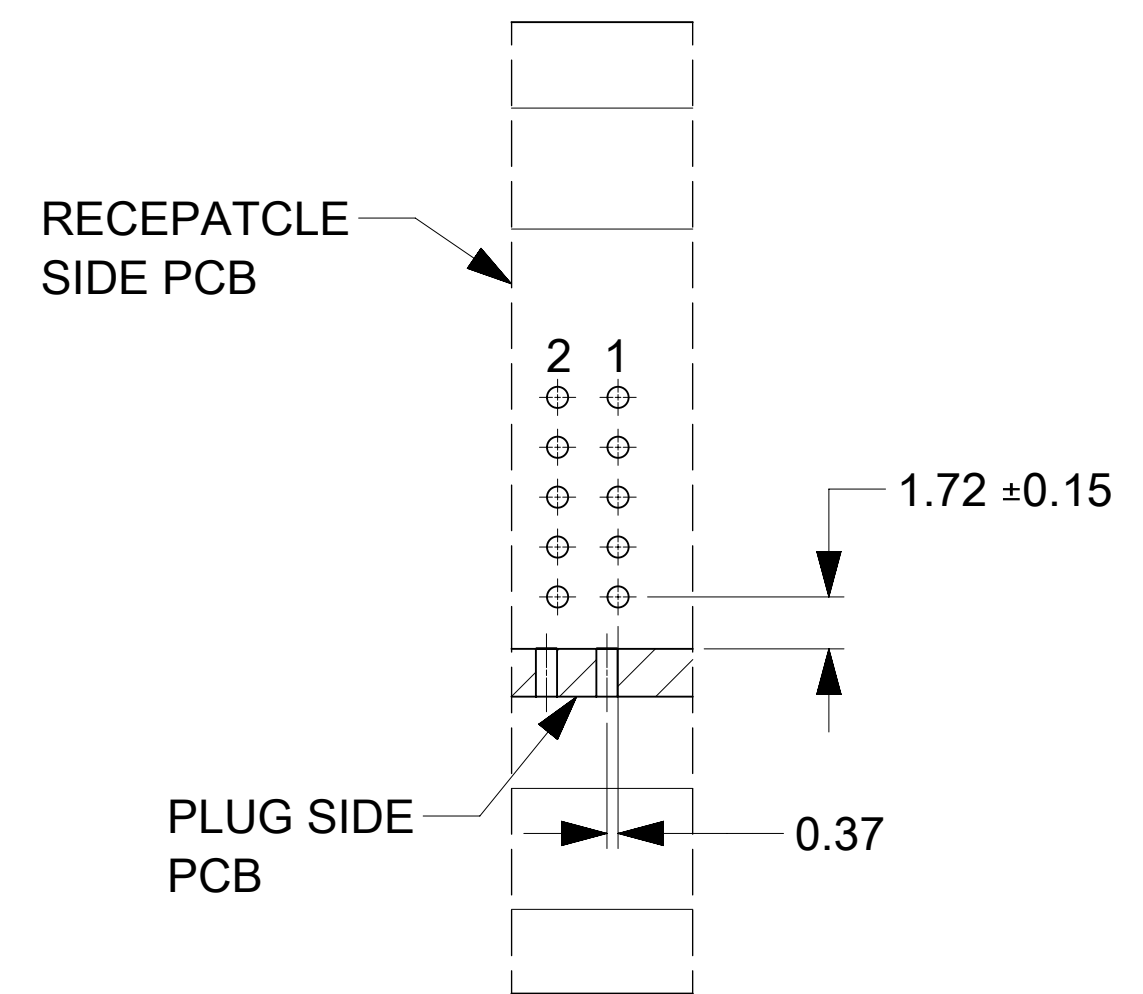
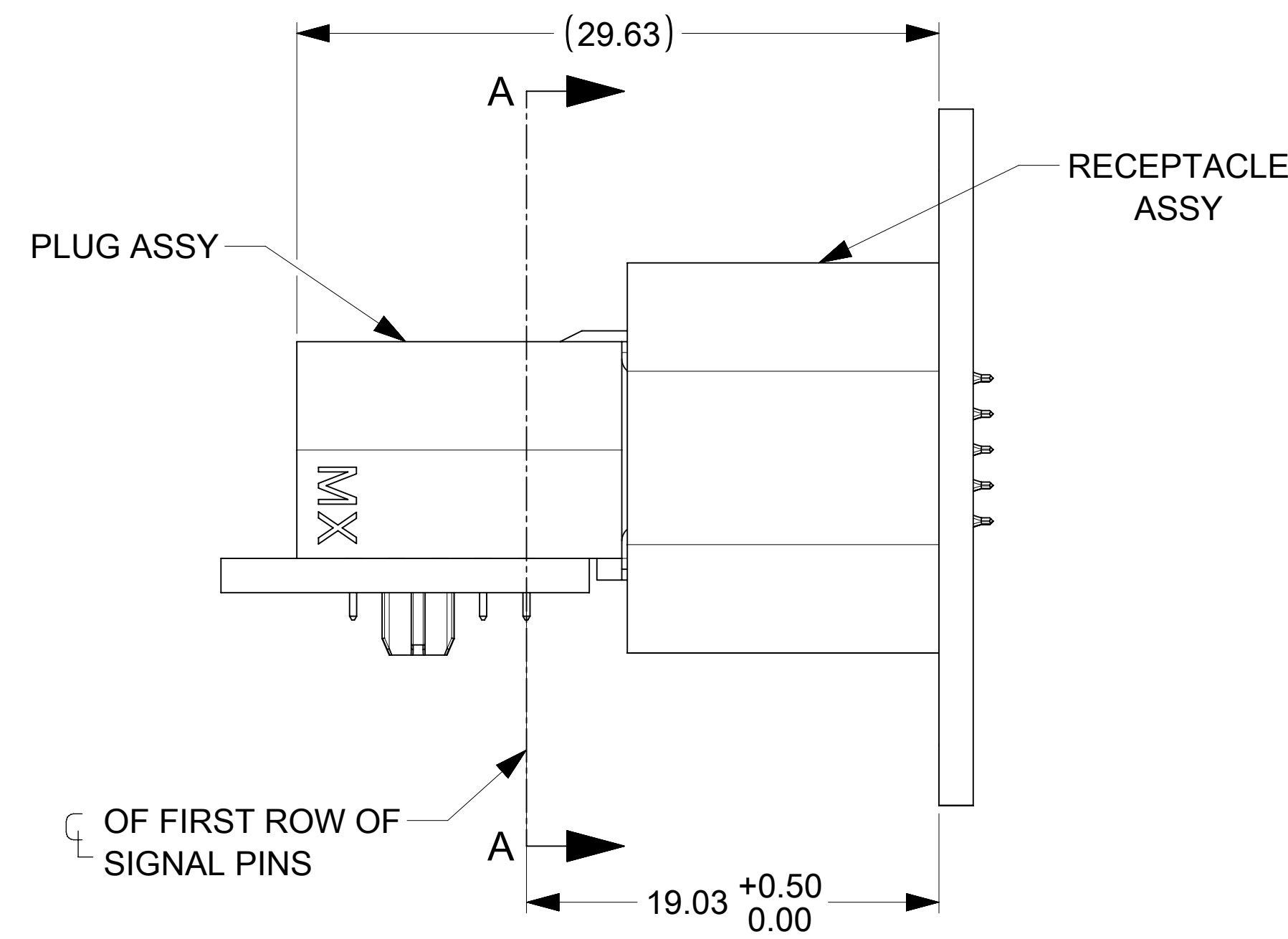
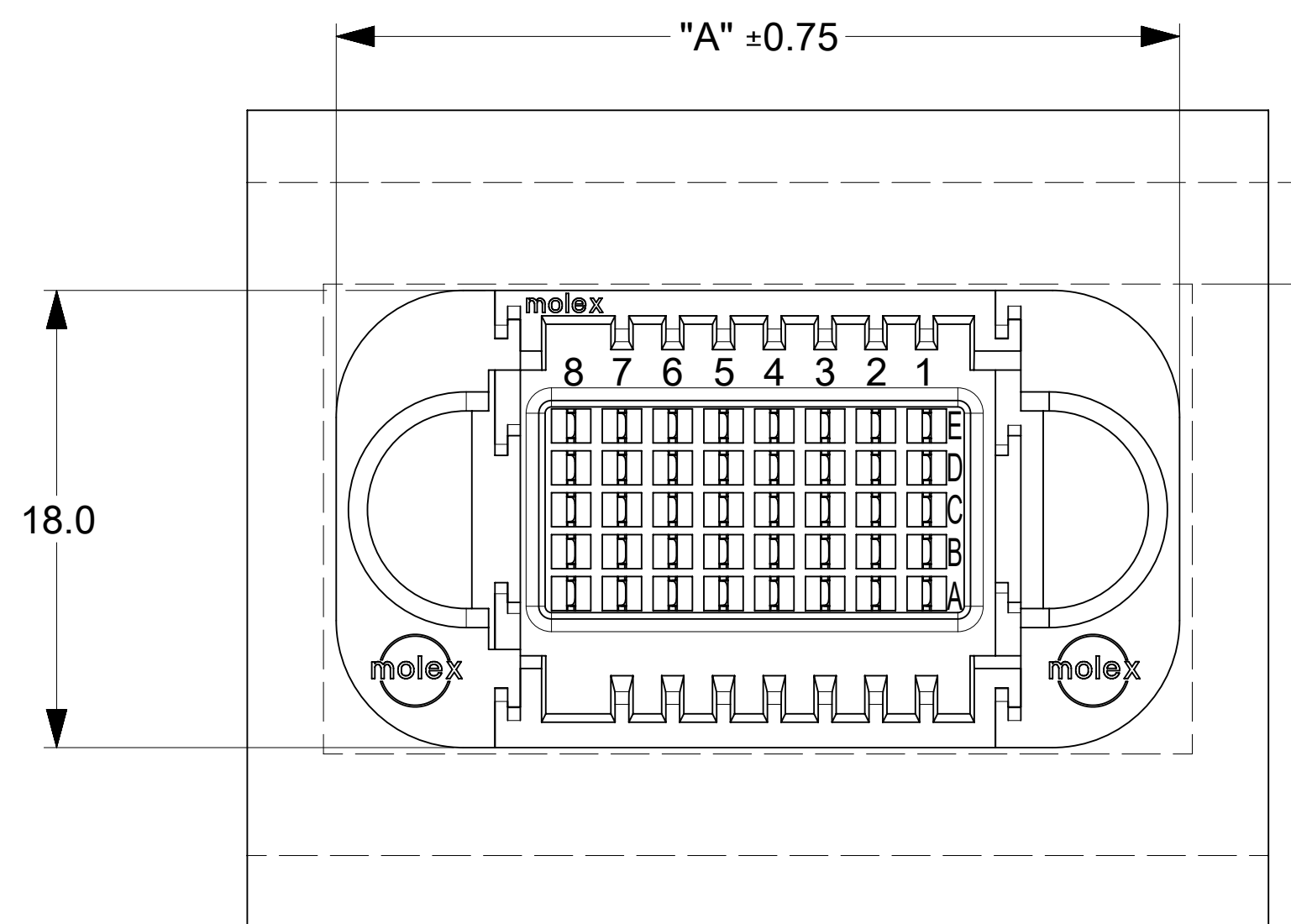
2.50 ±0.25
(SIGNAL TAILS)

1.58 MIN
(PCB THICKNESS)



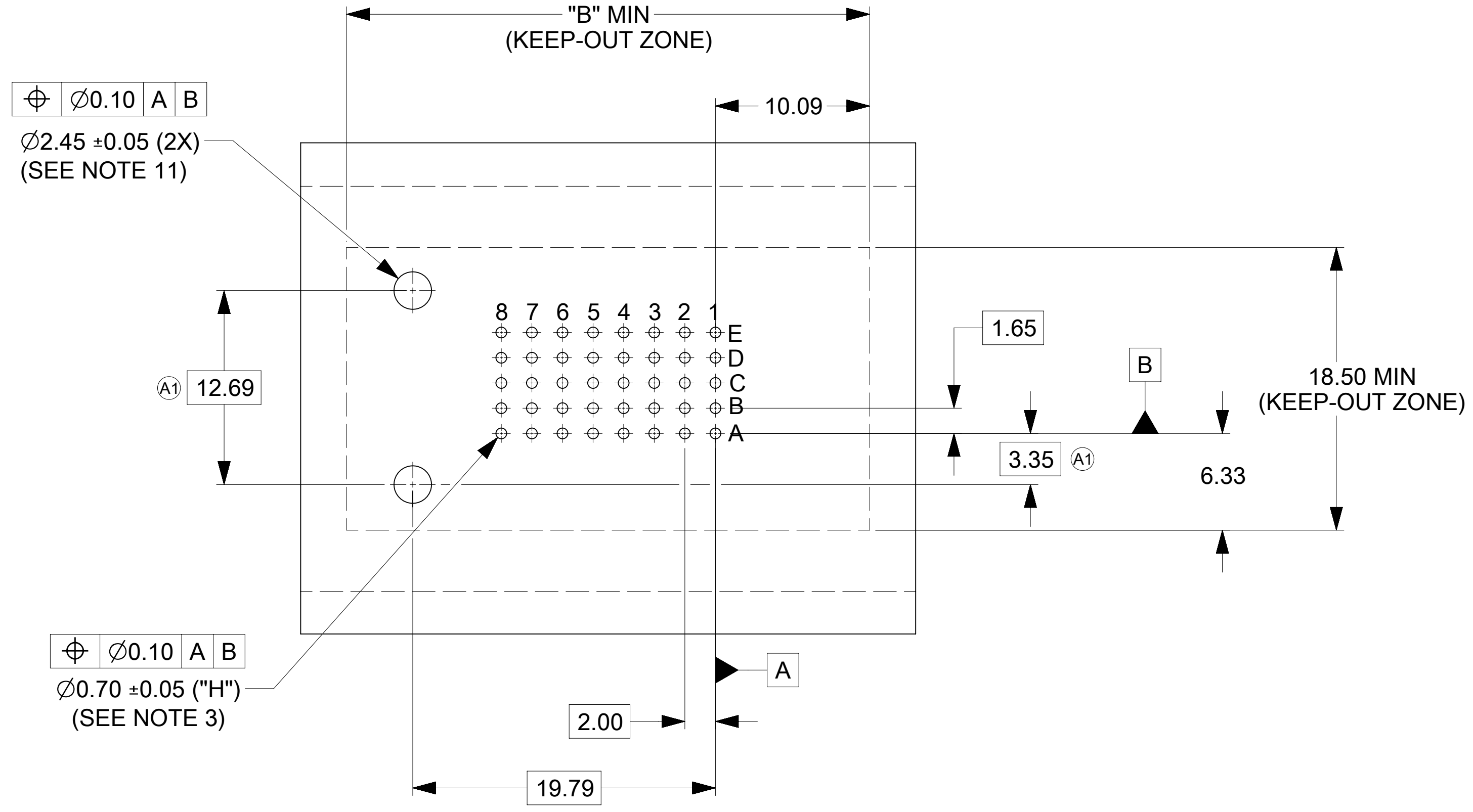
P/N: 46562-3133 (G-40S-G)

ALLOW EXTRA SPACE
4.00 MM PER SIDE
(REQUIRED FOR RE-WORK PER AS-46436-100)



MATED PROFILE

- NOTES:
- MATERIAL:
 - HOUSINGS: LCP UL94, V-0, COLOR: BLACK
 - TERMINALS: COPPER ALLOY
 - PLATING: 1.27 MICROMETER (50 MICROINCH) NICKEL OVERALL WITH 2.54 MICROMETER (100 MICROINCH) SELECTIVE TIN ON TAILS AND 0.762 MICROMETER (30 MICROINCH) SELECTIVE GOLD ON CONTACT AREA
 - PACKAGING: ASSEMBLIES TO BE TRAY PACKED PER PACKAGING SPEC: 465621001-PK
 - PLATED THRU HOLE SIZE, REFER TO PS-46436-100 FOR DETAILS
 - PRODUCT SPEC: PS-46436-100.
 - APPLICATION SPEC: AS-46436-100
 - PRODUCT TO MEET RoHS REQUIREMENTS
 - ASSEMBLY MATES TO MOLEX PLUG ASSEMBLY P/N 46437-**** (SEE TABLE IN SHEET 2).
 - TAIL DESIGN: COMPLIANT PIN
 - SIGNAL CONTACTS ARE LUBRICATED.
 - MOLEX LOGO TO BE LOCATED APPROXIMATELY AS SHOWN
 - FOR USE WITH 2-32 TYPE AB SELF THREADING SCREWS, SCREW LENGTH OF 9.50MM IS RECOMMENDED FOR 1.58MM THICK PCB MAX TORQUE IS 4IN-LBS

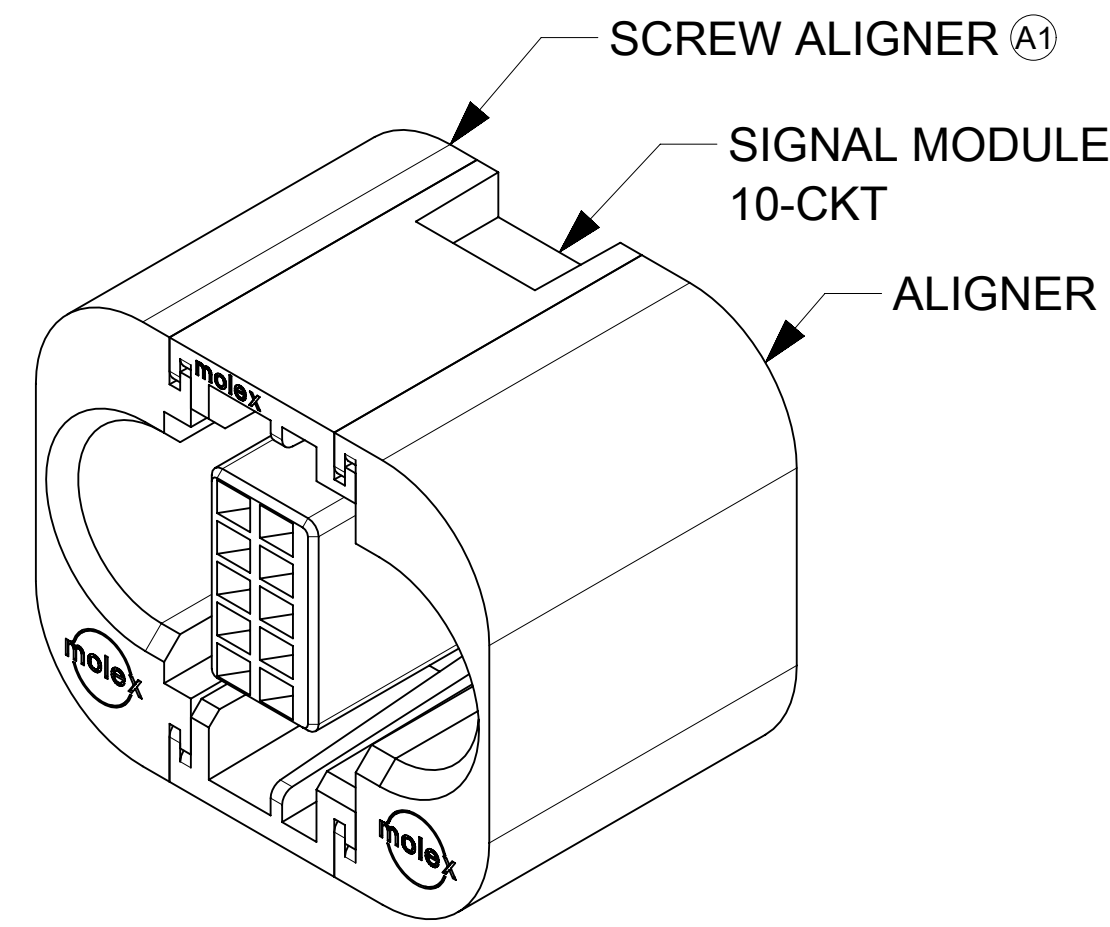


RECOMMENDED PCB LAYOUT AND KEEP-OUT ZONE FOR G-(10S TO 40S)-G

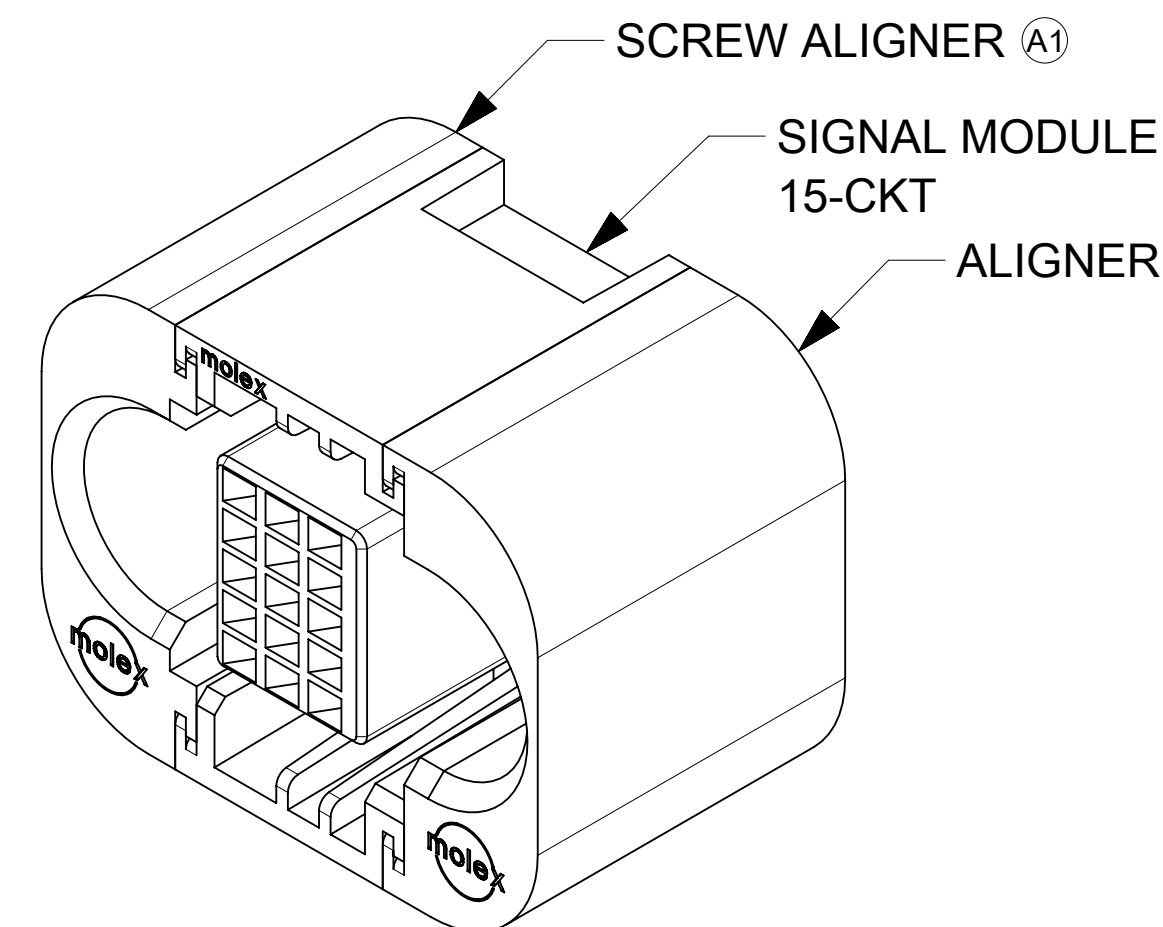
THIS DRAWING CONTAINS INFORMATION THAT IS PROPRIETARY TO MOLEX ELECTRONIC TECHNOLOGIES, LLC AND SHOULD NOT BE USED WITHOUT WRITTEN PERMISSION											
DIMENSION UNITS mm		SCALE 4:1		CURRENT REV DESC: REPLACED STANDARD ALIGNER WITH SCREW DOWN ALIGNER, UPDATED DIMENSIONS & ADDED SECTION VIEW B-B				molex		G-*S-G VERT RECEPTACLE ASSY - TEN60 POWER FAMILY	
GENERAL TOLERANCES (UNLESS SPECIFIED)											
ANGULAR TOL ± 0.5°				EC NO: 729882				PRODUCT CUSTOMER DRAWING		DOCUMENT NUMBER 465623127	
4 PLACES ±				DRWN: ABHIRK 2022/08/11							
3 PLACES ±				CHK'D: BHAGAD 2022/08/16				PSD 000 A1		DOC TYPE PSD	
2 PLACES ± 0.13				APPR: HTHYAGARAJ 2022/12/12							
1 PLACE ± 0.25				INITIAL REVISION:				REVISION 000 A1		DOC PART 000	
0 PLACES ±				DRWN: GJEEVANSURES 2022/01/12							
DRAFT WHERE APPLICABLE MUST REMAIN WITHIN DIMENSIONS		THIRD ANGLE PROJECTION		DRAWING D-SIZE		SERIES 46562		MATERIAL NUMBER SEE TABLE		CUSTOMER GENERAL MARKET	
SHEET NUMBER 1 OF 2											

REFER TO BELOW TABLE FOR DIMENSIONS.

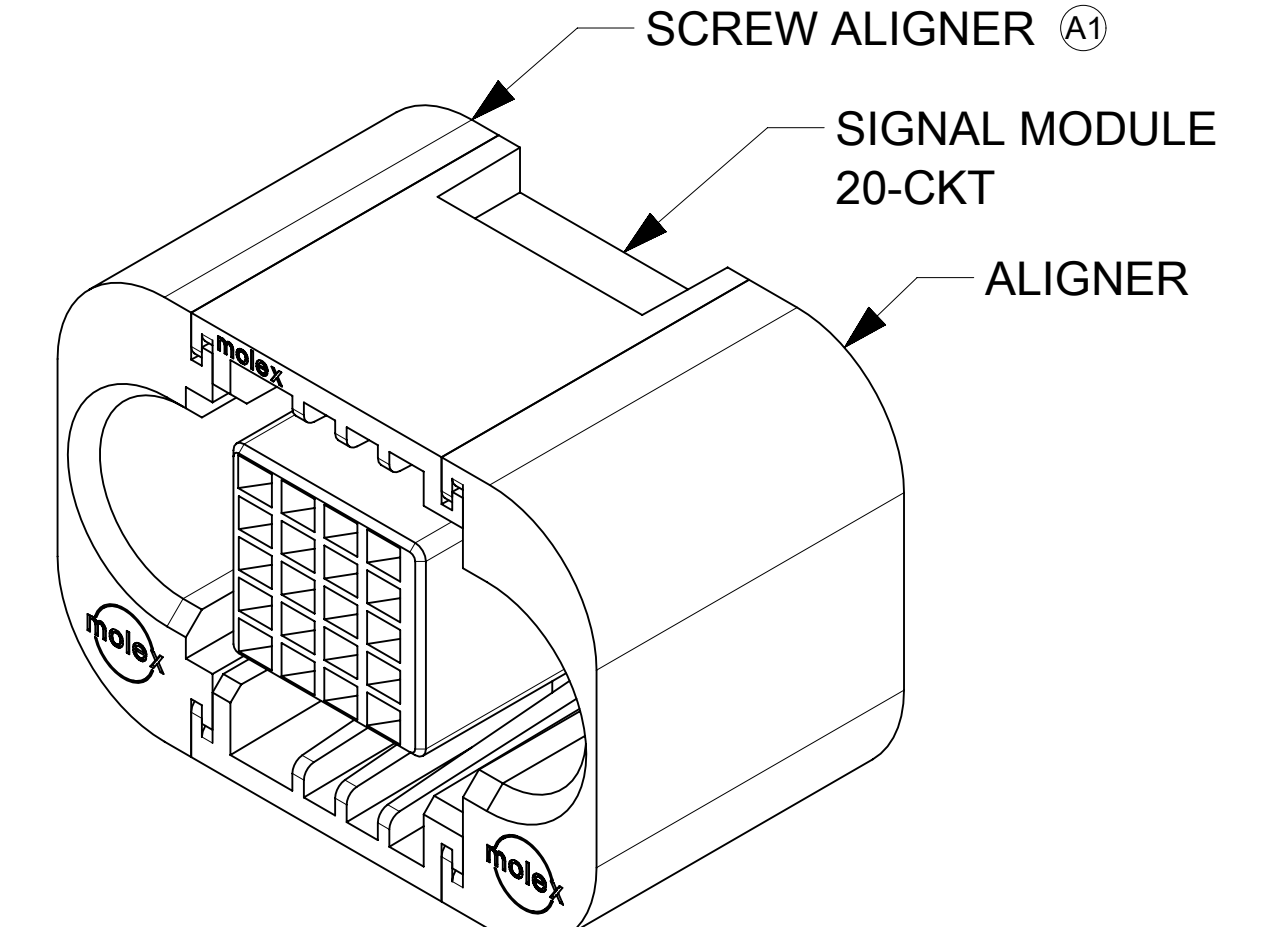
FG P/N	CONFIGURATION	SIGNAL CKT SIZE	DIM "A" (IN MM)	DIM "B" (IN MM) ^(A1)	HOLES COUNT "H"	MATES WITH R/A PLUG ASSY P/N - COMPLIANT PIN
46562-3127	G-10S-G	10	21.21	22.21	10	46437-3127
46562-3128	G-15S-G	15	23.21	24.21	15	46437-3128
46562-3129	G-20S-G	20	25.21	26.21	20	46437-3129
46562-3130	G-25S-G	25	27.21	28.21	25	46437-3130
46562-3131	G-30S-G	30	29.21	30.21	30	46437-3131
46562-3132	G-35S-G	35	31.21	32.21	35	46437-3132
46562-3133	G-40S-G	40	33.21	34.21	40	46437-3133



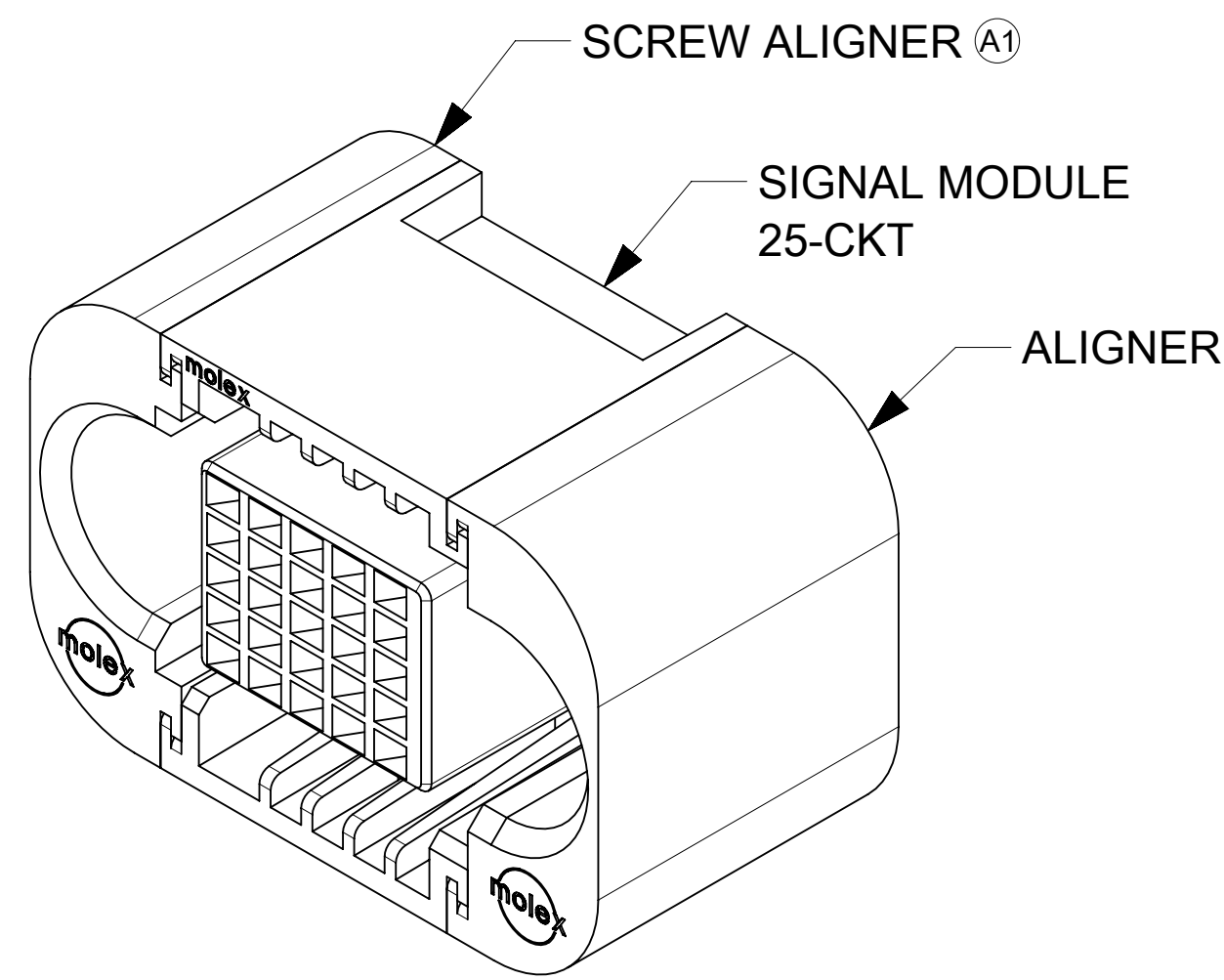
P/N: 46562-3127 (G-10S-G)



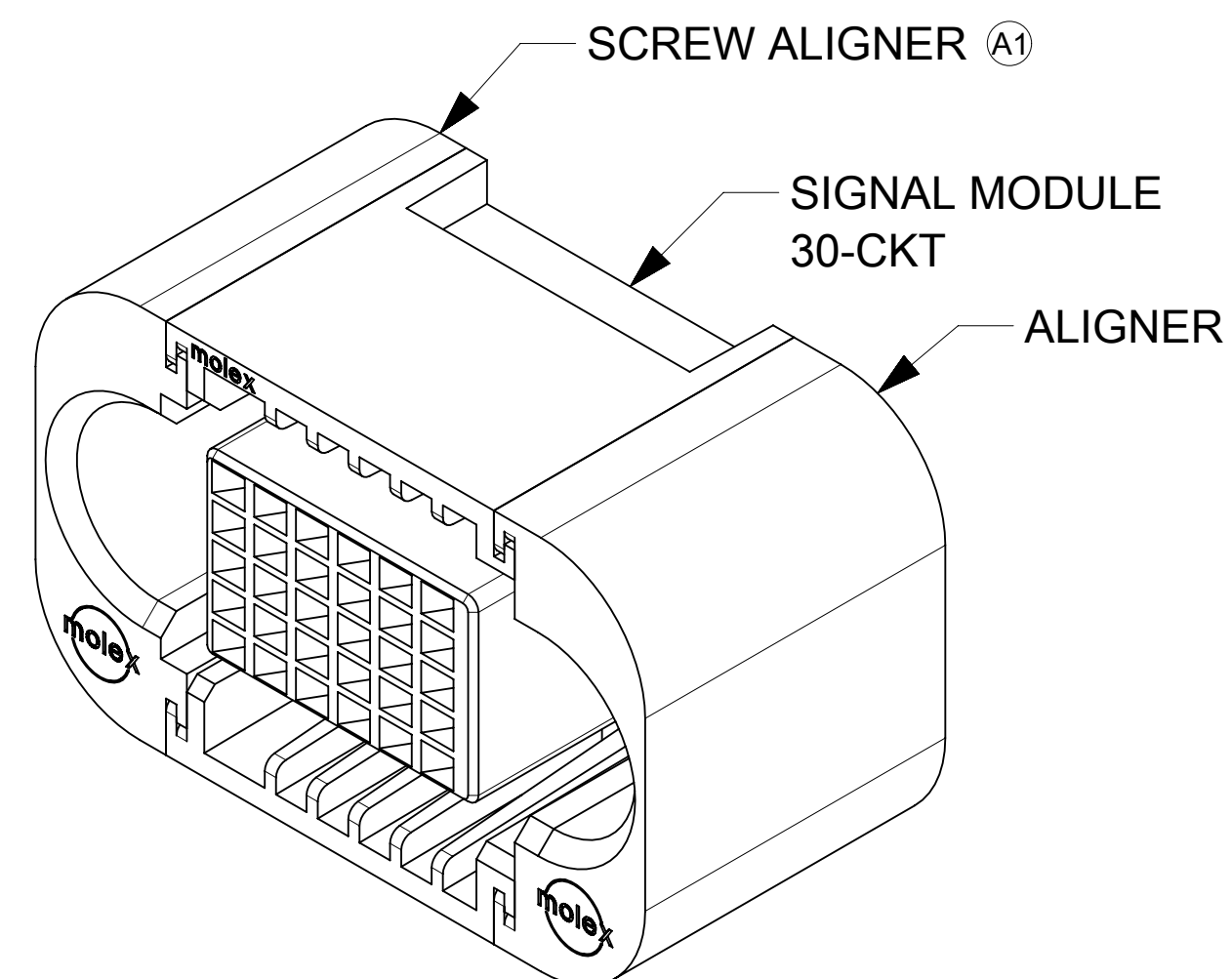
P/N: 46562-3128 (G-15S-G)



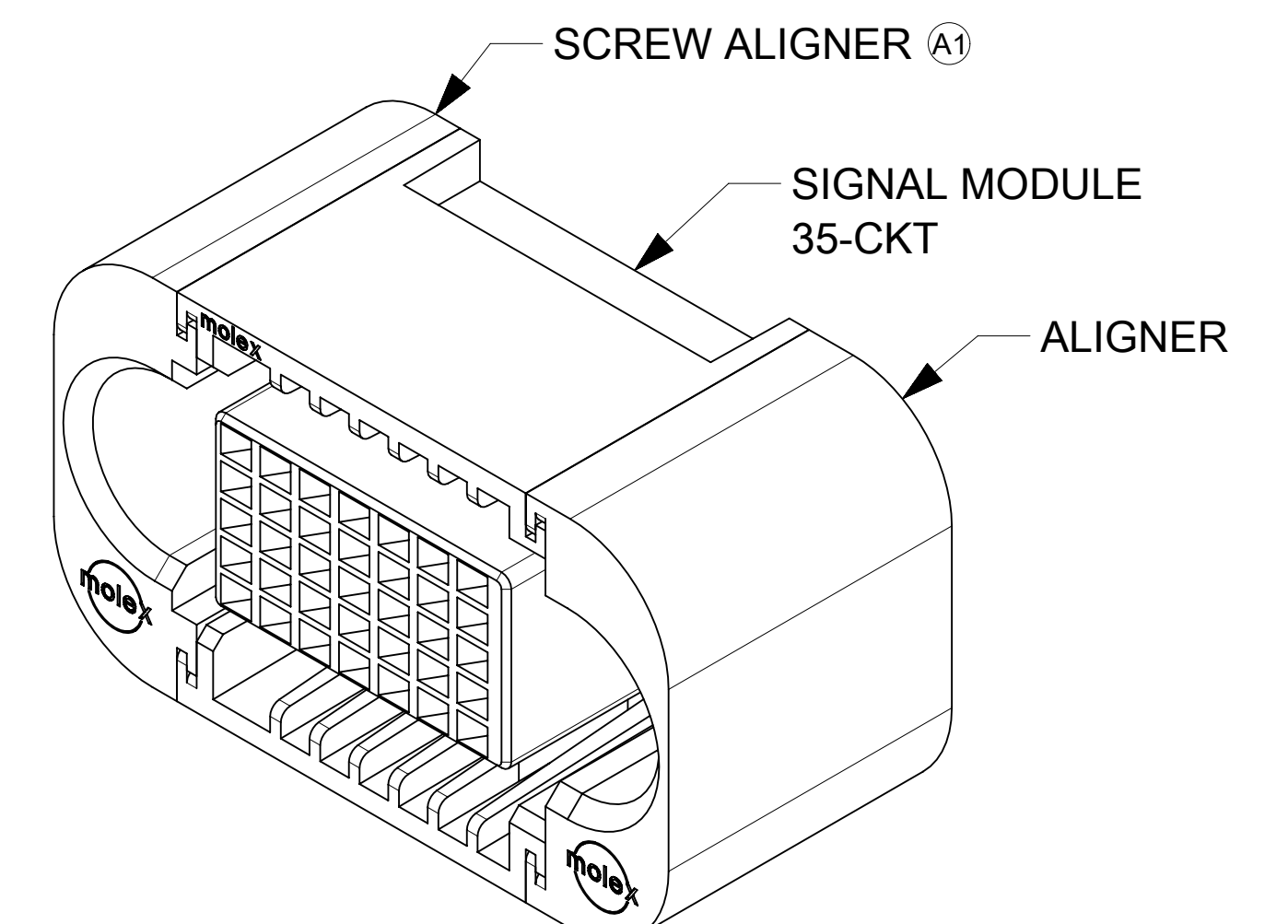
P/N: 46562-3129 (G-20S-G)





P/N: 46562-3130 (G-25S-G)



P/N: 46562-3131 (G-30S-G)



P/N: 46562-3132 (G-35S-G)

THIS DRAWING CONTAINS INFORMATION THAT IS PROPRIETARY TO MOLEX ELECTRONIC TECHNOLOGIES, LLC AND SHOULD NOT BE USED WITHOUT WRITTEN PERMISSION													
DIMENSION UNITS		SCALE		CURRENT REV DESC: REPLACED STANDARD ALIGNER WITH SCREW DOWN ALIGNER, UPDATED DIMENSIONS & ADDED SECTION VIEW B-B						 G-*S-G VERT RECEPTACLE ASSY - TEN60 POWER FAMILY			
mm		4:1											
GENERAL TOLERANCES (UNLESS SPECIFIED)				EC NO: 729882		2022/08/11		PRODUCT CUSTOMER DRAWING					
ANGULAR TOL ± 0.5°				DRWN: ABHIRK		2022/08/16		DOCUMENT NUMBER					
4 PLACES ±				CHK'D: BHAGAD		2022/08/16		DOC TYPE DOC PART REVISION					
3 PLACES ±				APPR: HTHYAGARAJ		2022/12/12		465623127 PSD 000 A1					
2 PLACES ± 0.13				INITIAL REVISION:		2022/01/12		MATERIAL NUMBER CUSTOMER					
1 PLACE ± 0.25				DRWN: GJEEVANSURES		2022/02/22		SEE TABLE GENERAL MARKET					
0 PLACES ±				APPR: HTHYAGARAJ		2022/02/22		SHEET NUMBER					
DRAFT WHERE APPLICABLE MUST REMAIN WITHIN DIMENSIONS				THIRD ANGLE PROJECTION		DRAWING SERIES		D-SIZE 46562					
								2 OF 2					