

**Product number FP11056_LISA2-RS-PIN**

Family	Lisa	FWHM	18 degrees
Type	Assembly	Efficiency	91 %
LED	LUXEON Rebel	cd/lm	-
Color	Black	Gerber File	Available
Diameter	9.9 mm		
Height	6.6 mm		
Style	Round		
Optic Material	PMMA		
Holder Material	-		
Fastening	["pin", "glue"]		
Status	Production ready		

**Product number FP11086_LISA2-RS-CLIP**

Family	Lisa	FWHM	18 degrees
Type	Assembly	Efficiency	89 %
LED	LUXEON Rebel	cd/lm	-
Color	Black	Gerber File	Available
Diameter	9.9 mm		
Height	6.6 mm		
Style	Round		
Optic Material	PMMA		
Holder Material	-		
Fastening	["glue", "clips"]		
Status	Production ready		

**Product number FP10992_LISA2-M-PIN**

Family	Lisa	FWHM	25 degrees
Type	Assembly	Efficiency	90 %
LED	LUXEON Rebel	cd/lm	-
Color	Black	Gerber File	Available
Diameter	9.9 mm		
Height	6.6 mm		
Style	Round		
Optic Material	PMMA		
Holder Material	-		
Fastening	["pin", "glue"]		
Status	Production ready		

**Product number FP11072_LISA2-M-CLIP**

Family	Lisa	FWHM	25 degrees
Type	Assembly	Efficiency	90 %
LED	LUXEON Rebel	cd/lm	-
Color	Black	Gerber File	Available
Diameter	9.9 mm		
Height	6.6 mm		
Style	Round		
Optic Material	PMMA		
Holder Material	-		
Fastening	["glue", "clips"]		
Status	Production ready		

**Product number FP10993_LISA2-W-PIN**

Family	Lisa	FWHM	36 degrees
Type	Assembly	Efficiency	90 %
LED	LUXEON Rebel	cd/lm	1.800
Color	Black	Gerber File	Available
Diameter	9.9 mm		
Height	6.6 mm		
Style	Round		
Optic Material	PMMA		
Holder Material	-		
Fastening	["pin", "glue"]		
Status	Production ready		

**Product number FP11073_LISA2-W-CLIP**

Family	Lisa	FWHM	36 degrees
Type	Assembly	Efficiency	90 %
LED	LUXEON Rebel	cd/lm	1.800
Color	Black	Gerber File	Available
Diameter	9.9 mm		
Height	6.6 mm		
Style	Round		
Optic Material	PMMA		
Holder Material	-		
Fastening	["clips", "glue"]		
Status	Production ready		

**Product number FP11122_LISA2-O-CLIP**

Family	Lisa	FWHM	48+19 degrees
Type	Assembly	Efficiency	83 %
LED	LUXEON Rebel	cd/lm	2.150
Color	Black	Gerber File	Available
Diameter	9.9 mm		
Height	6.6 mm		
Style	Round		
Optic Material	PMMA		
Holder Material	-		
Fastening	["glue", "clips"]		
Status	Production ready		

**Product number FP11126_LISA2-O-PIN**

Family	Lisa	FWHM	48+19 degrees
Type	Assembly	Efficiency	83 %
LED	LUXEON Rebel	cd/lm	2.150
Color	Black	Gerber File	Available
Diameter	9.9 mm		
Height	6.6 mm		
Style	Round		
Optic Material	PMMA		
Holder Material	-		
Fastening	["glue", "pin"]		
Status	Production ready		

**Product number FP11853_LISA2-O-90-PIN**

Family	Lisa	FWHM	48+19 degrees
Type	Assembly	Efficiency	83 %
LED	LUXEON Rebel	cd/lm	-
Color	Black	Gerber File	Available
Diameter	9.9 mm		
Height	6.6 mm		
Style	Round		
Optic Material	PMMA		
Holder Material	-		
Fastening	["glue", "pin"]		
Status	Production ready		

**Product number FP11858_LISA2-O-90-CLIP**

Family	Lisa	FWHM	48+19 degrees
Type	Assembly	Efficiency	83 %
LED	LUXEON Rebel	cd/lm	-
Color	Black	Gerber File	Available
Diameter	9.9 mm		
Height	6.6 mm		
Style	Round		
Optic Material	PMMA		
Holder Material	-		
Fastening	["clips", "glue"]		
Status	Production ready		

**Product number C12469_LISA2-R-PIN**

Family	Lisa	FWHM	77 degrees
Type	Reflector	Efficiency	88 %
LED	LUXEON Rebel	cd/lm	0.410
Color	White	Gerber File	Available
Diameter	9.9 mm		
Height	6.5 mm		
Style	Round		
Optic Material	HRPC		
Holder Material	-		
Fastening	["glue", "pin"]		
Status	Production ready		

**Product number FP11951_LISA2-WWW-PIN**

Family	Lisa	FWHM	80 degrees
Type	Assembly	Efficiency	79 %
LED	LUXEON Rebel	cd/lm	-
Color	Black	Gerber File	Available
Diameter	9.9 mm		
Height	6.6 mm		
Style	Round		
Optic Material	PMMA		
Holder Material	-		
Fastening	["glue", "pin"]		
Status	Production ready		

**Product number** FP11952_LISA2-WWW-CLIP

Family	Lisa	FWHM	80 degrees
Type	Assembly	Efficiency	79 %
LED	LUXEON Rebel	cd/lm	-
Color	Black	Gerber File	Available
Diameter	9.9 mm		
Height	6.6 mm		
Style	Round		
Optic Material	PMMA		
Holder Material	-		
Fastening	-		
Status	Production ready		

NOTE: The typical divergence will be changed by different color, chip size and chip position tolerance. The typical total divergence is the full angle measured where the luminous intensity is half of the peak value.



PRODUCT DATASHEET

Lisa series

last update 26/8/2015

GENERAL INFORMATION

- Product series especially designed & optimized for LUXEON Rebel series of LEDs.
- Special care taken to make light distribution as uniform as possible.
- Lens material optical grade PMMA with high UV and temperature resistance. Allows use of high current and temperature conditions.

Please find more information about used material from below:

http://ledil.fi/sites/default/files/Documents/Technical/Material/PMMA%20N%20UL94_Yellow%20Card.pdf

<http://ledil.fi/sites/default/files/Documents/Technical/Material/PMMA%20N%20PLEXIGLAS-Datasheet.pdf>

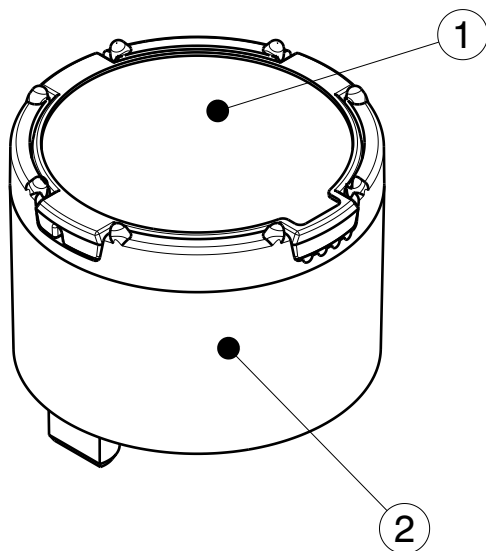
- Reflector is made of aluminium coated PC (120 degrees of Celcius / 248 degrees of Fahrenheit) with protective lacquer (short term 100 degrees of Celcius / 212 degrees of Fahrenheit).

D

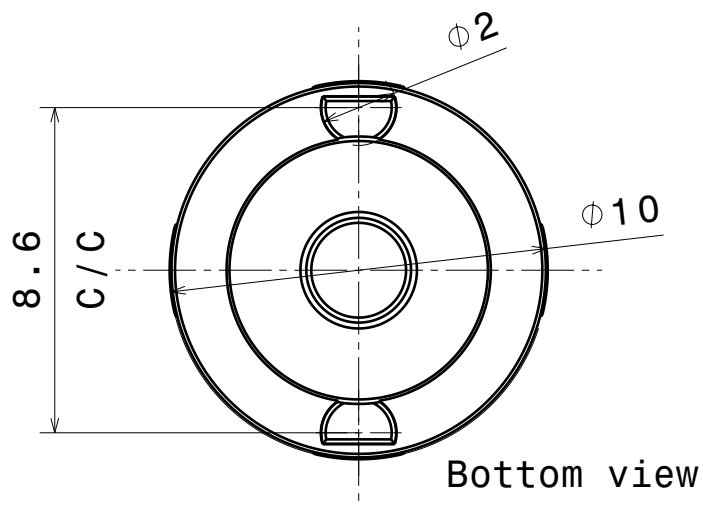
C

B

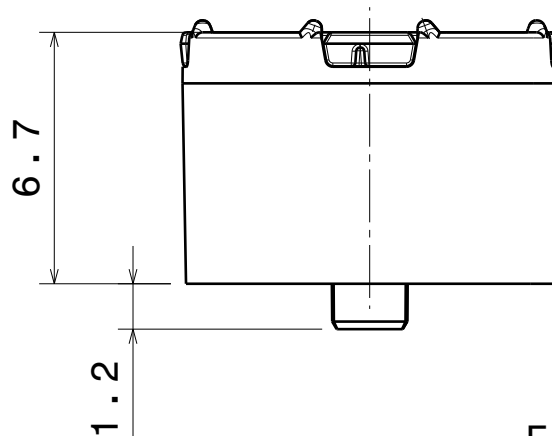
A



Isometric view
Scale: 5:1



Bottom view



Front view

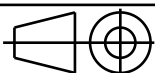
INDEX	PART NO	DESCRIPTION	MATERIAL	COLOUR
1	-	LISA2-lens	PMMA	
2	F10991	LISA2-HLD-PIN-OSL	PC	black

Tolerances if not otherwise shown
According to DIN ISO 2768-1
Linear measures:
up to 30mm class M, otherwise class C
According to DIN ISO 2768-2
Form and position: class L

LEDiL

Ledil Oy
Salorankatu 10
FIN 24240 SALO
Finland

THIRD ANGLE PROJECTION:



DRAWING TITLE

LISA2-PIN-RE series

This drawing is the property
of LEDiL Oy. It may not be
reproduced, copied or
communicated without a written
agreement with LEDiL Oy.

SIZE PART NUMBER

A4

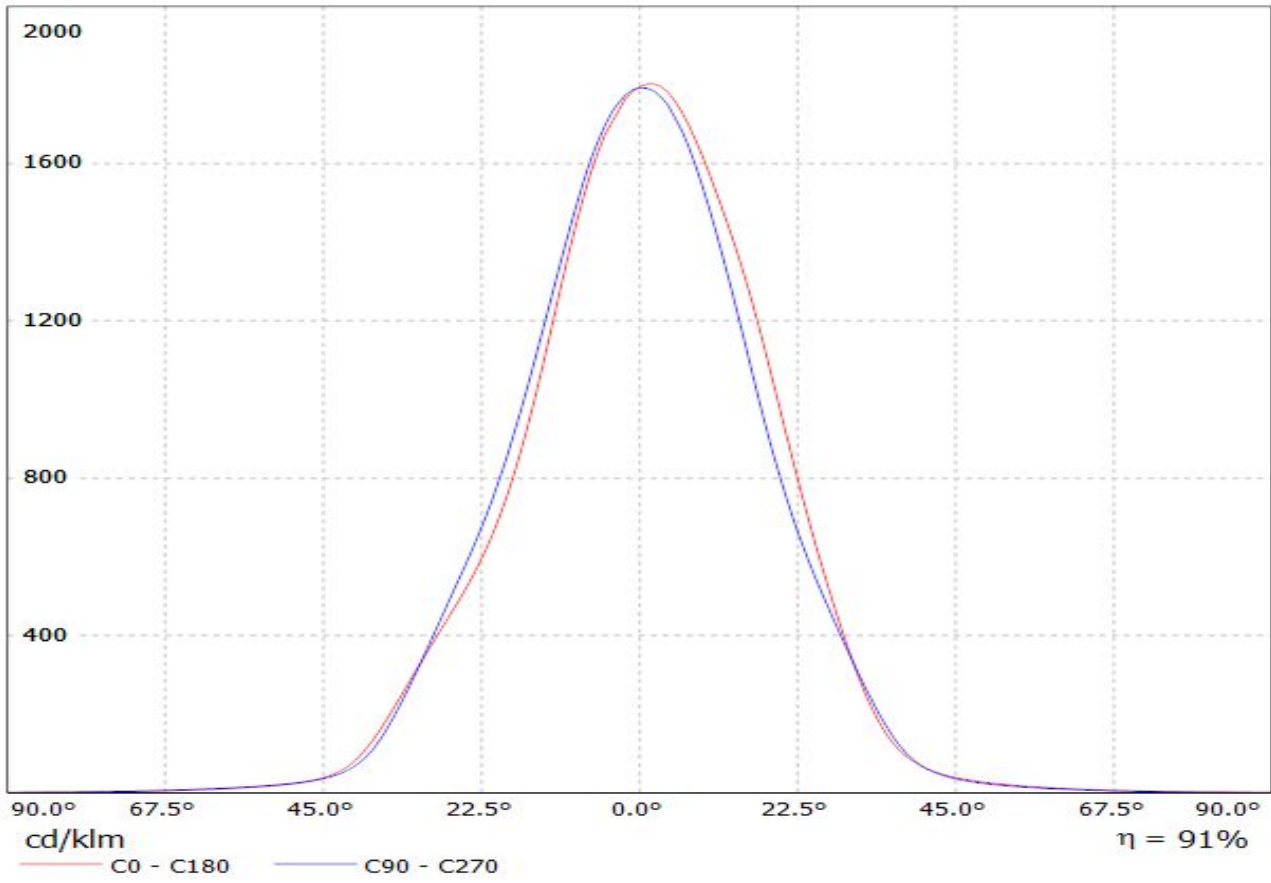
-

SCALE 5:1 WEIGHT 0,5 g SHEET 1/1

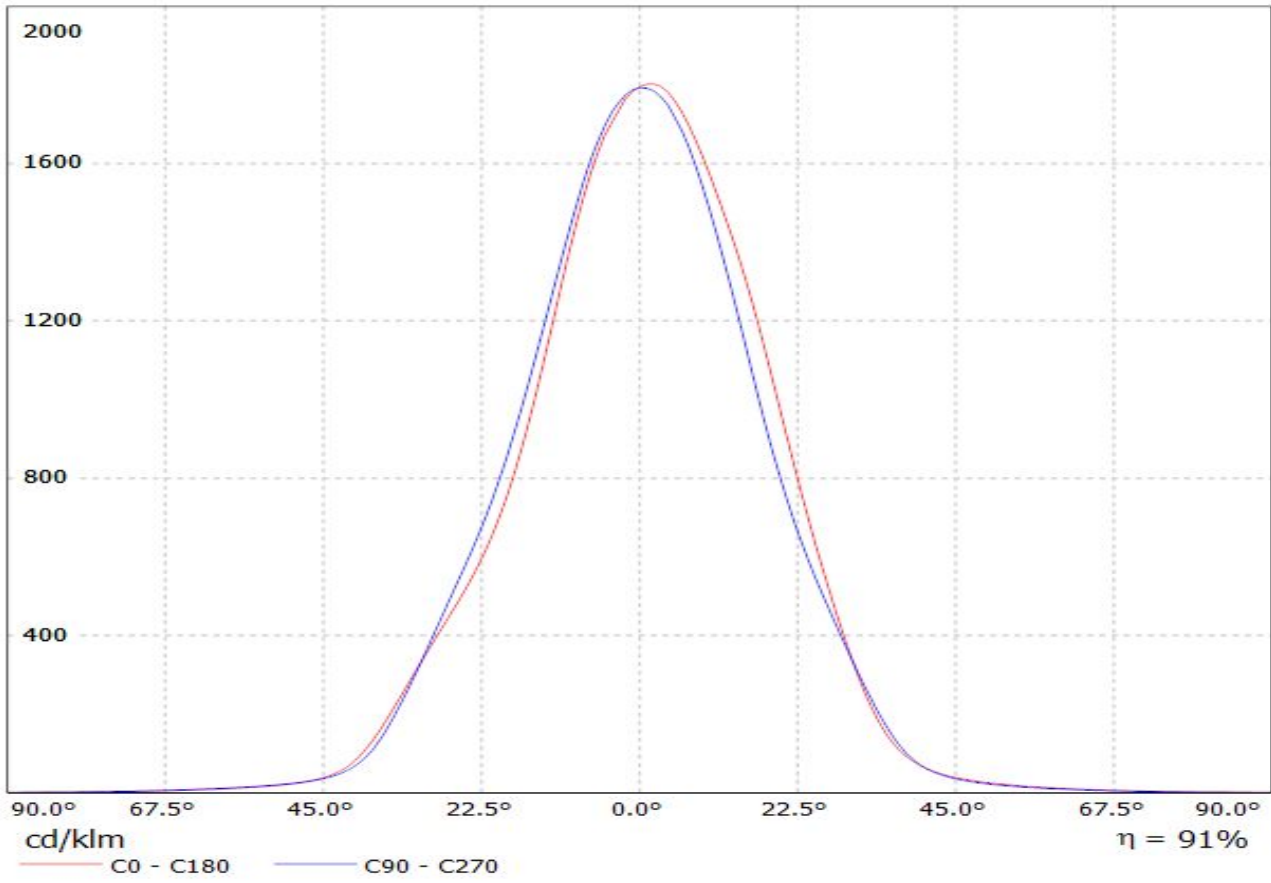
D

A

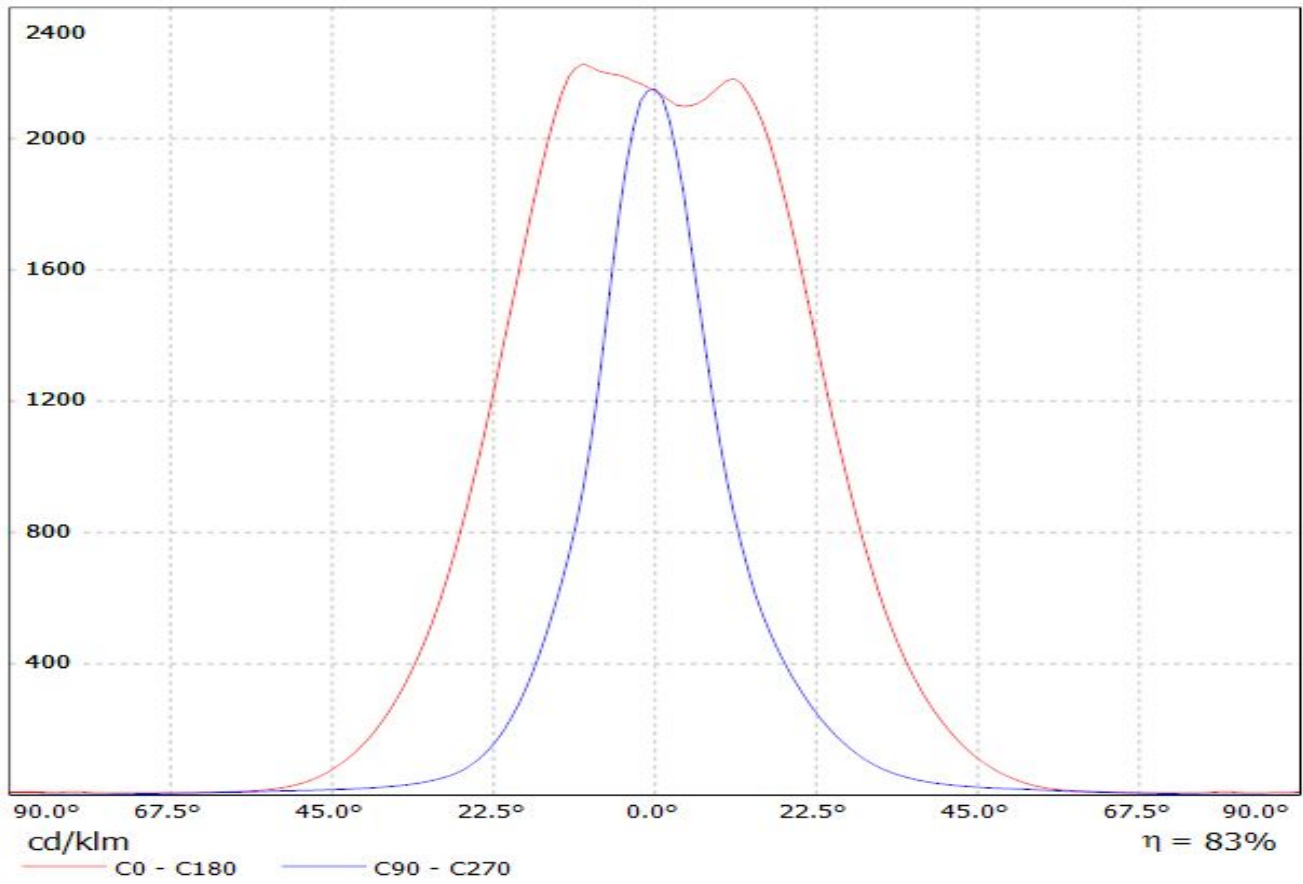
Luminaire: LEDiL Oy FP10993 & FP11073_LISA2-W_(Rebel) Eff.91.3%
Lamps: 1 x REBEL (80.0891lm@250mA)



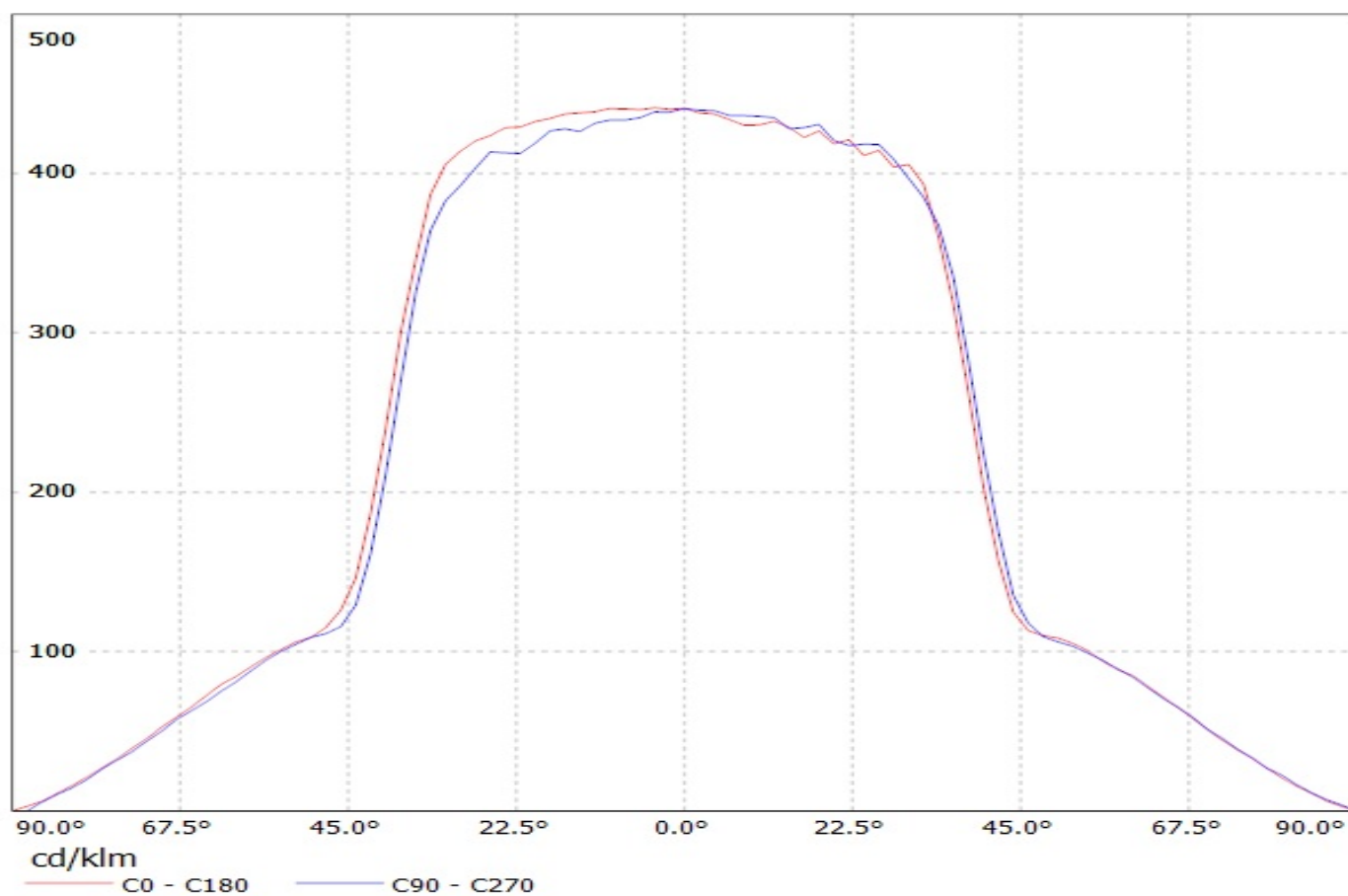
Luminaire: LEDiL Oy FP10993 & FP11073_LISA2-W_(Rebel) Eff.91.3%
Lamps: 1 x REBEL (80.0891lm@250mA)



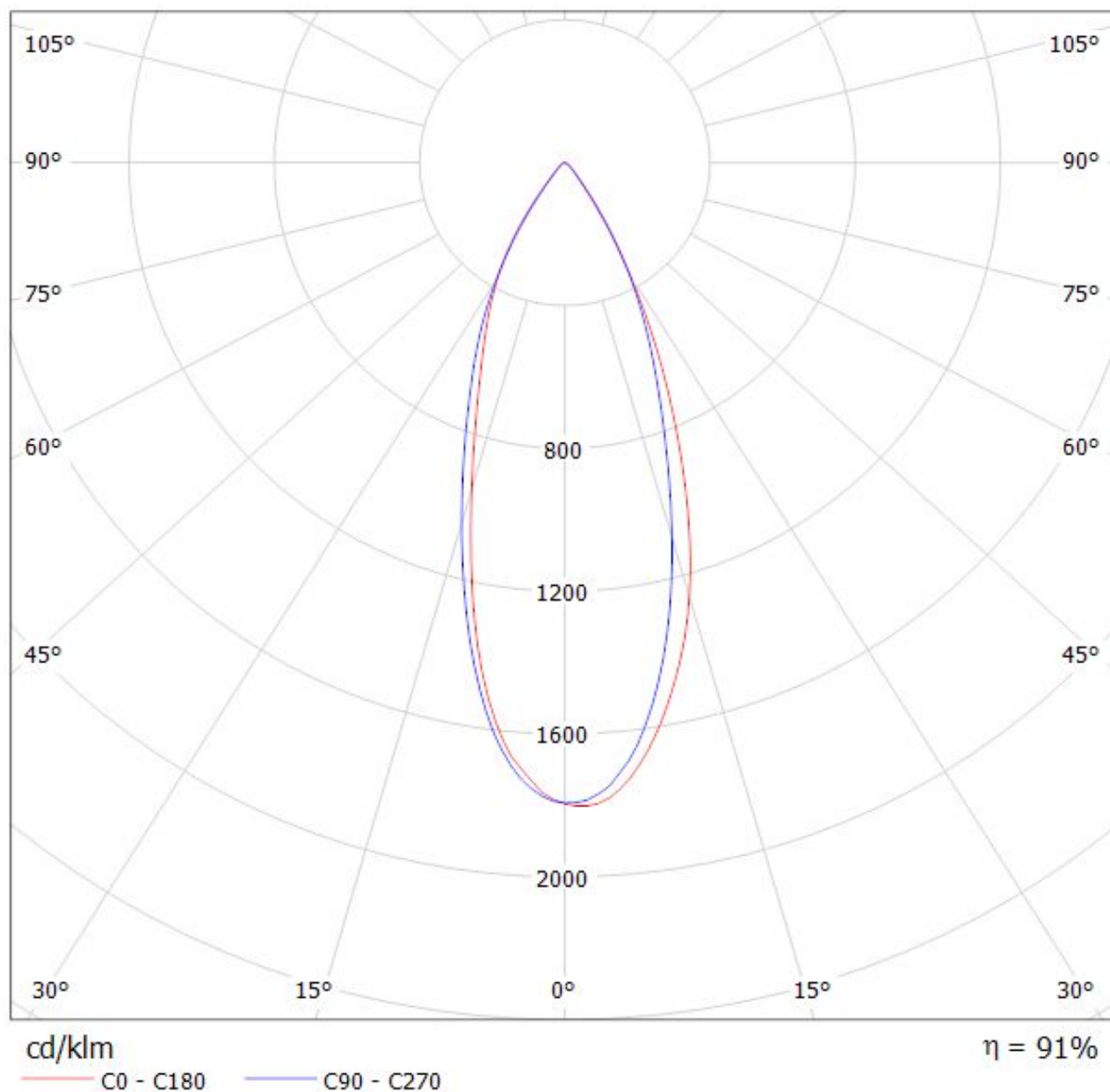
Luminaire: LEDiL Oy FP11126 & FP11122_LISA2-O (Luxeon Rebel) Eff.82.6%
Lamps: 1 x Luxeon Rebel (80.0891lm@250mA)



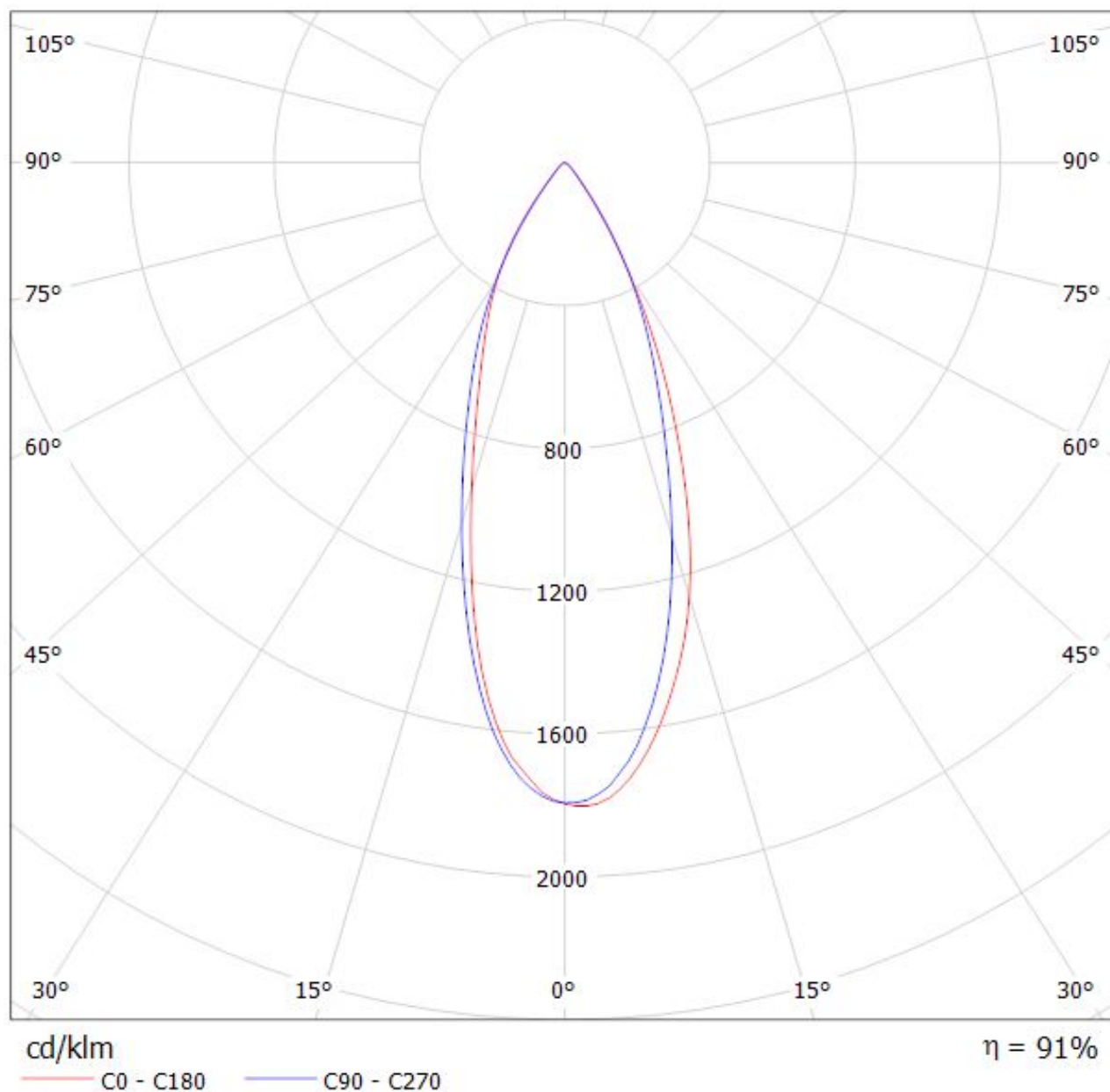
Luminaire: Ledil Oy C12469_LISA2-R-PIN (Luxeon Rebel 61lm @ 250mA) Efficiency=88%
Lamps: 1 x Luxeon Rebel 61lm @ 250mA (LXM8-PW30) CCT=2872K P=0,75W I=250mA



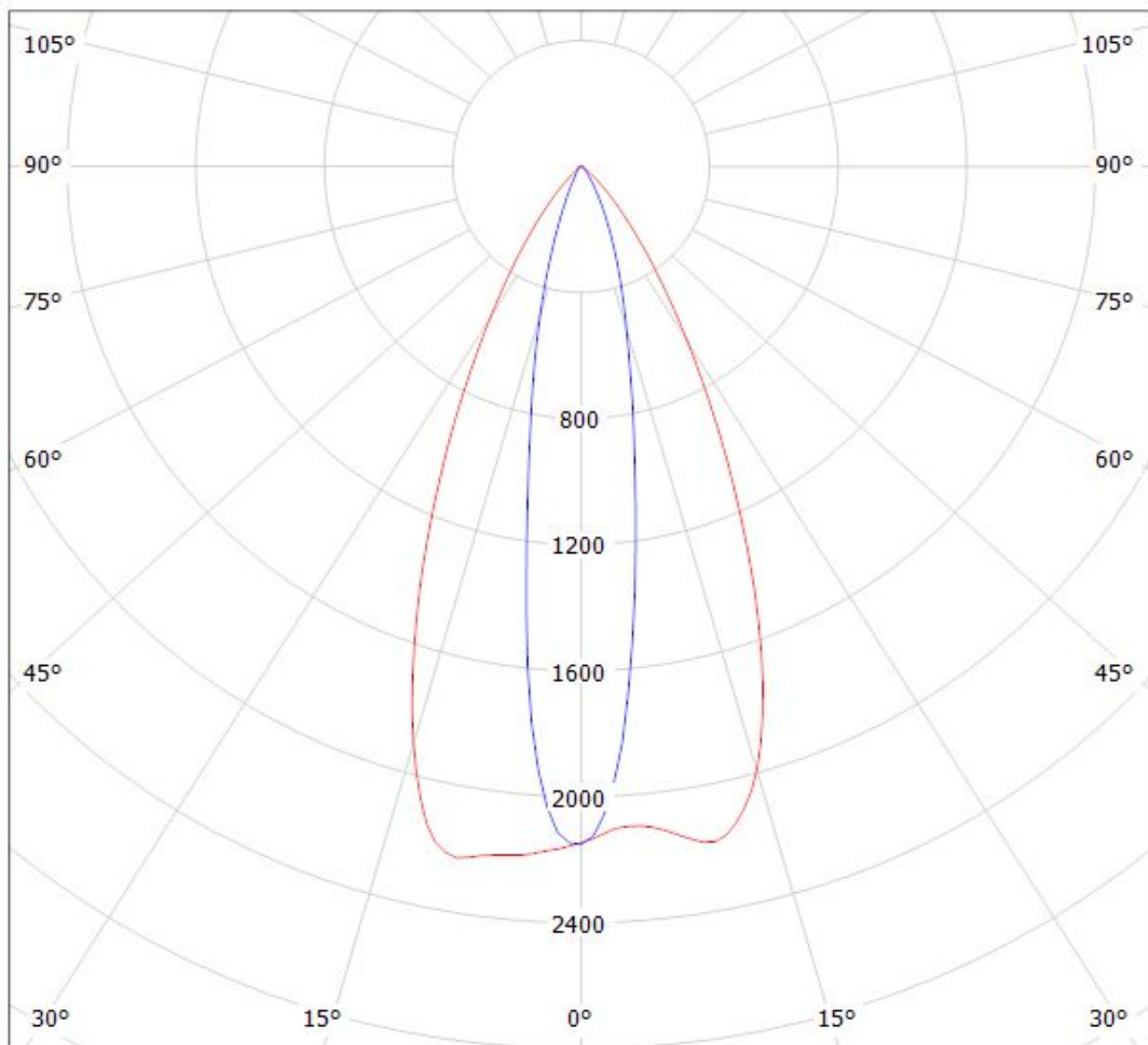
Luminaire: LEDiL Oy FP10993 & FP11073_LISA2-W_(Rebel) Eff.91.3%
Lamps: 1 x REBEL (80.0891lm@250mA)



Luminaire: LEDiL Oy FP10993 & FP11073_LISA2-W_(Rebel) Eff.91.3%
Lamps: 1 x REBEL (80.0891lm@250mA)



Luminaire: LEDiL Oy FP11126 & FP11122_LISA2-O (Luxeon Rebel) Eff.82.6%
Lamps: 1 x Luxeon Rebel (80.0891lm@250mA)

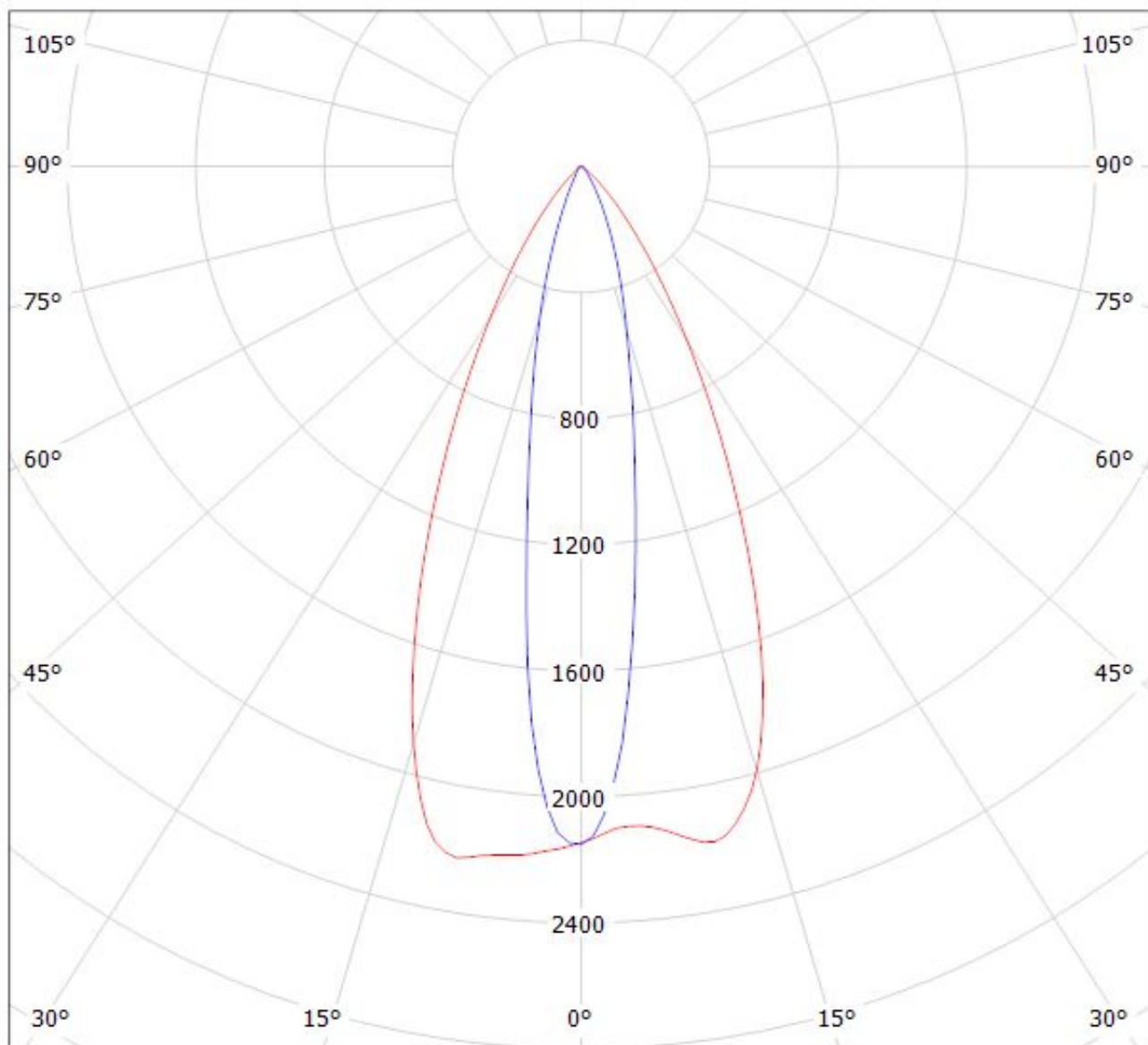


cd/klm

$\eta = 83\%$

— C0 - C180 — C90 - C270

Luminaire: LEDiL Oy FP11126 & FP11122_LISA2-O (Luxeon Rebel) Eff.82.6%
Lamps: 1 x Luxeon Rebel (80.0891lm@250mA)

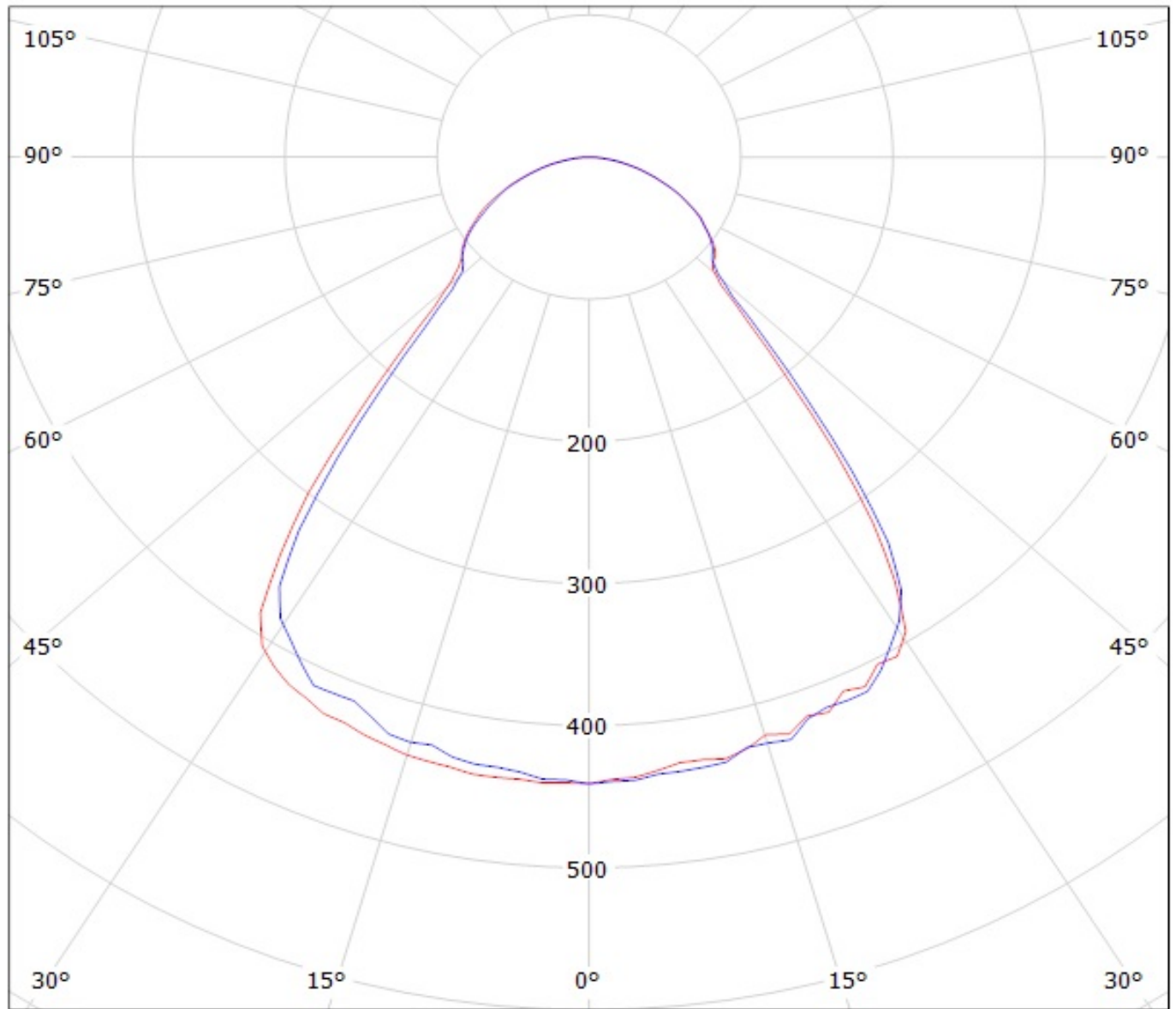


cd/klm

$\eta = 83\%$

— C0 - C180 — C90 - C270

Luminaire: Ledil Oy C12469_LISA2-R-PIN (Luxeon Rebel 61lm @ 250mA) Efficiency=88%
Lamps: 1 x Luxeon Rebel 61lm @ 250mA (LXM8-PW30) CCT=2872K P=0,75W I=250mA



cd/klm

— C0 - C180

— C90 - C270