

DETAILS

Product Number	C14502_STRADELLA-T2
Family	Stradella
Type	Lens
Color	clear
Diameter	13,9 x 13,9 mm
Height	4,96 mm
Style	square
Optic Material	PMMA
Holder Material	
Fastening	glue, pin
Status	production ready
ROHS Compliant	Yes
Date Updated	31/01/2017



OPTICAL PROPERTIES

LED	Viewing Angle	Light Beam	Efficiency	cd/lm	Connector
XT-E	asymmetric deg	Streetligh...	94 %	0.770	-
XP-G2	Asymmetric deg	Streetligh...	94 %	0.780	-
XP-G3	sim: Asymmetri	Streetligh...	sim: 91 %	sim: 0.570	-

D

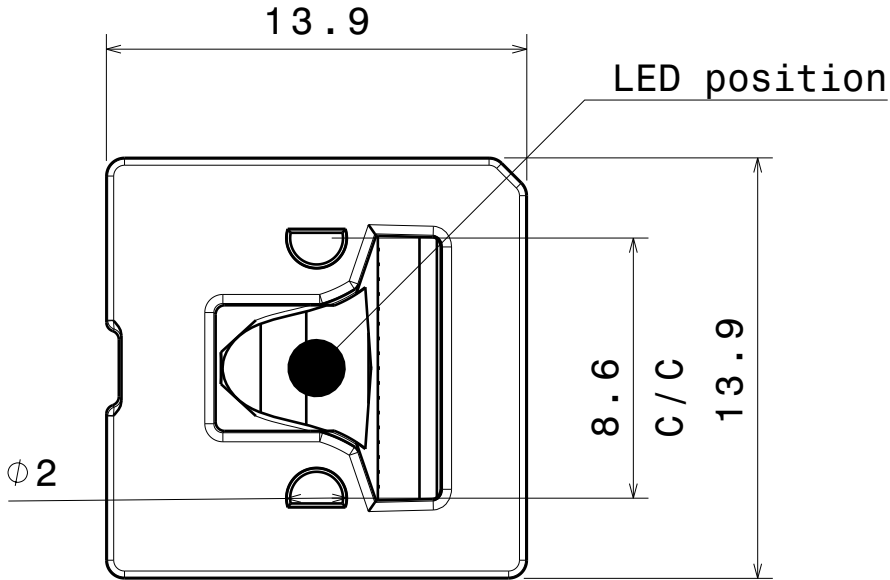
C

B

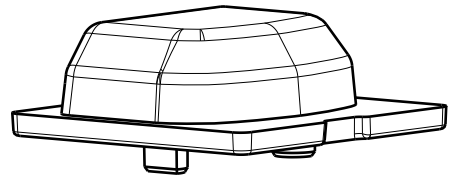
A

4

4



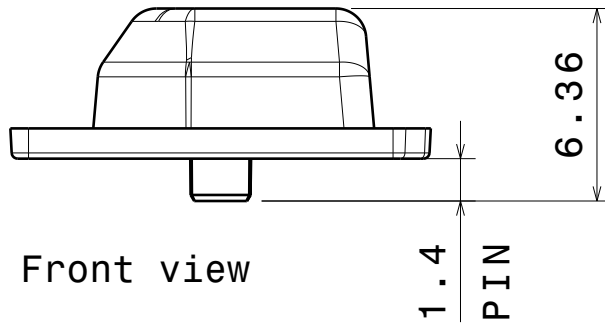
Bottom view



Isometric view
Scale: 3:1

3

3



Front view

2

2

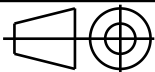
INDEX	PART NO	DESCRIPTION	MATERIAL	COLOUR
1	C14502	STRADELLA-T2	PMMA	Clear

Tolerances if not otherwise shown
According to DIN ISO 2768-1
Linear measures:
up to 30mm class M, otherwise class C
According to DIN ISO 2768-2
Form and position: class L

LEDiL

Ledil Oy
Salorankatu 10
FIN 24240 SALO
Finland

THIRD ANGLE PROJECTION:



DRAWING TITLE

C14502_STRADELLA-T2

This drawing is the property
of LEDiL Oy. It may not be
reproduced, copied or
communicated without a written
agreement with LEDiL Oy.

SIZE PART NUMBER

A4

C14502

SCALE 4:1 WEIGHT 0,518 g SHEET 1/1

1

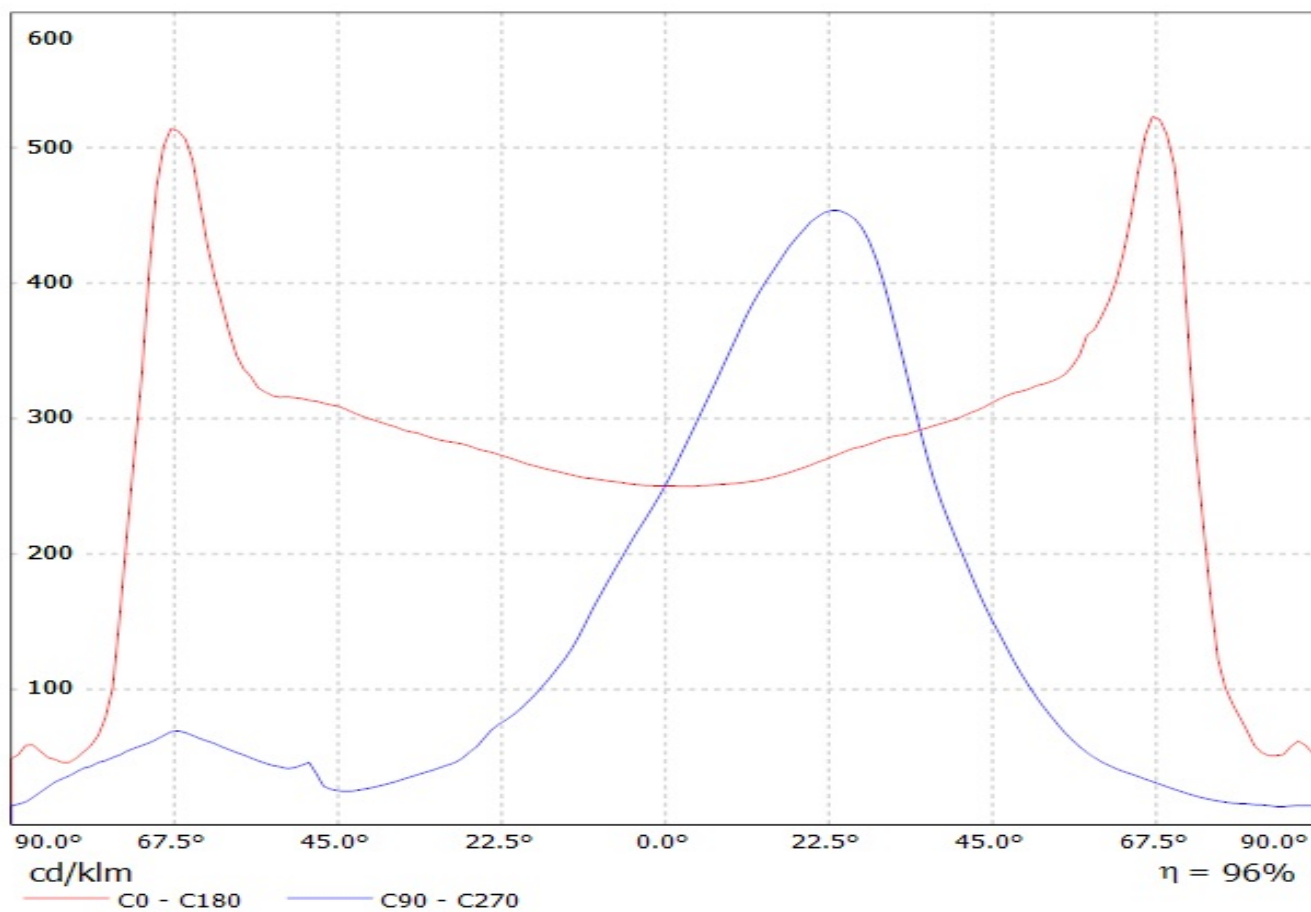
1

D

A

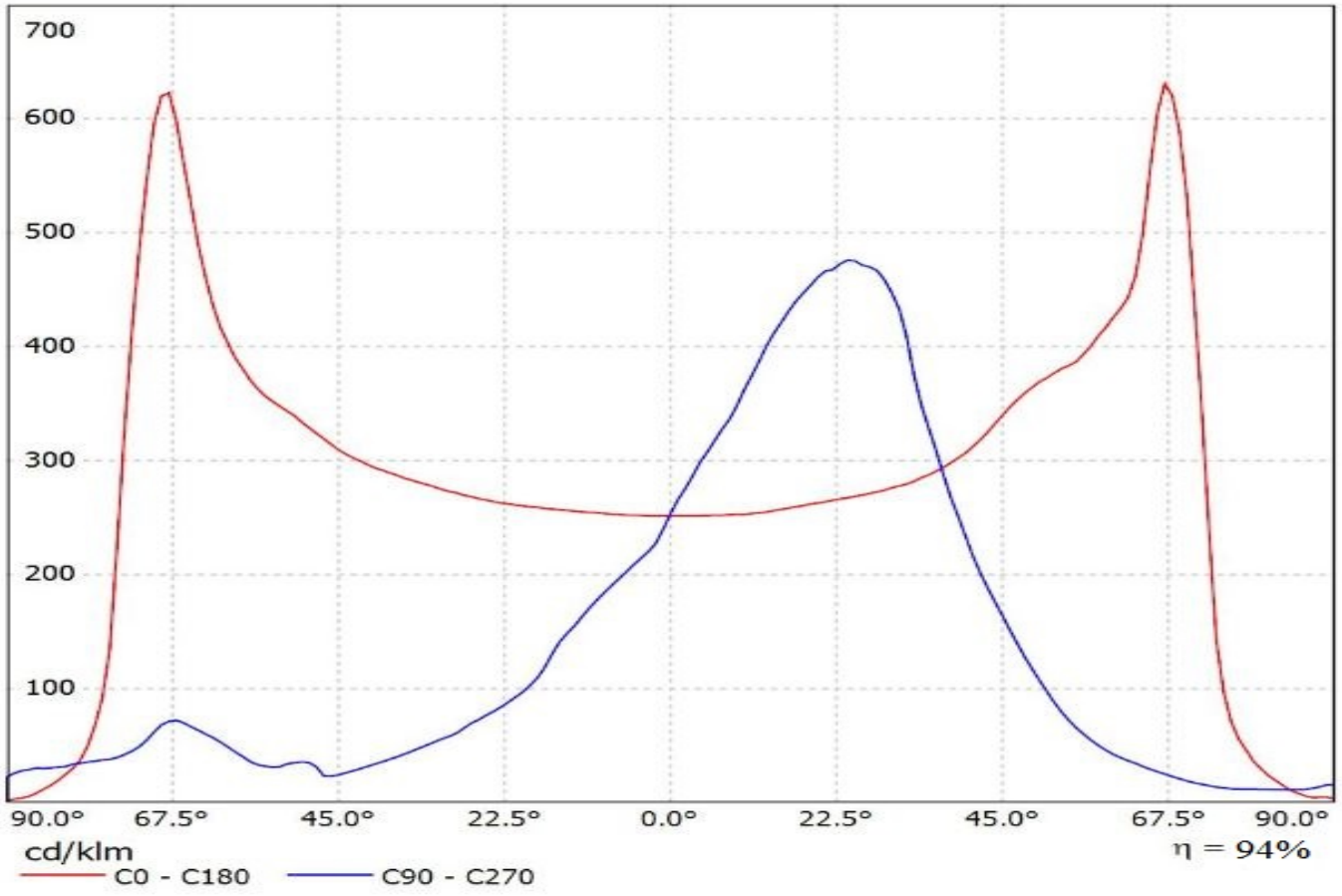
Luminaire: LEDiL Oy C14502_STRADELLA-T2_(XT-E)

Lamps: 1 x CREE_XT-E_(XTÉAWT-0-2A0-R30-FB-0001)_98.1907lm@250mA_CCT=5453K_P=0.78W_I=0.25A

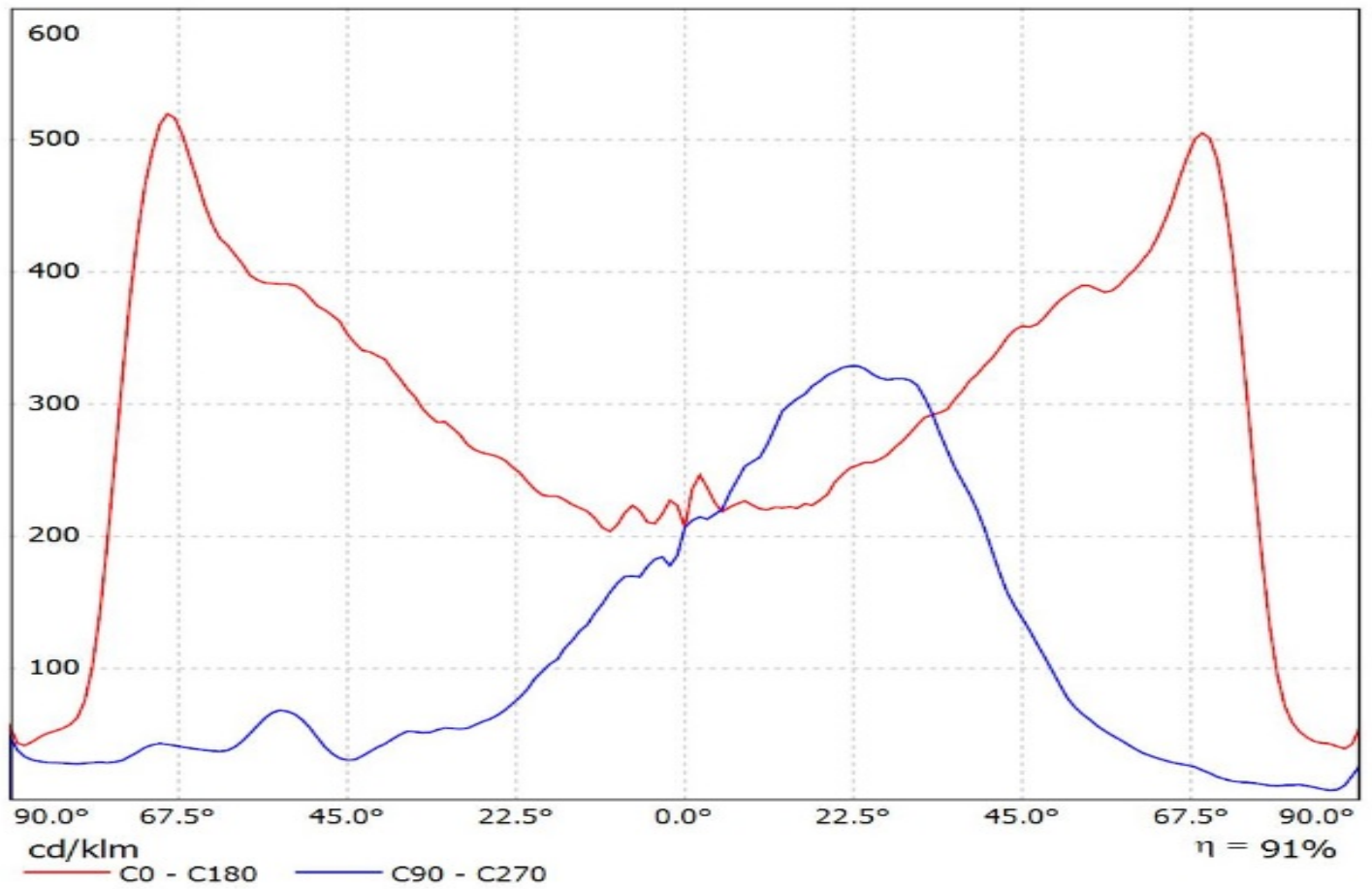


Luminaire: Ledil J14502_STRADELLA-T2_(XP-G2)

Lamps: 1 x Cree_XP-G2_105.471lm@250mA_CCT=6596K_P=0.7643W_I=0.250mA

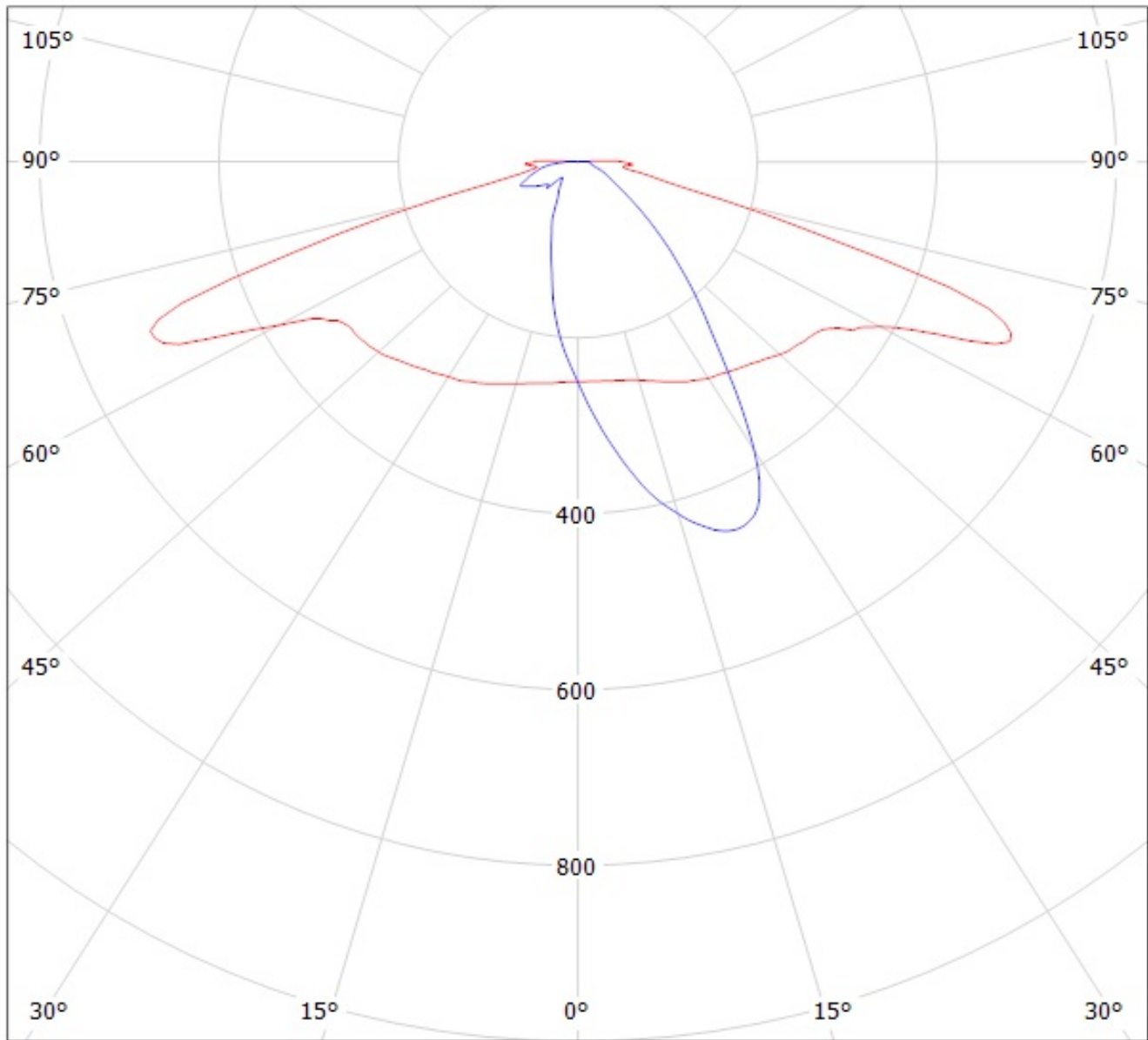


Luminaire: Ledil Oy C14502_STRADELLA-T2_(XP-G3)_SIMULATED
Lamps: 1 x Cree XP-G3



Luminaire: LEDiL Oy C14502_STRADELLA-T2_(XT-E)

Lamps: 1 x CREE_XT-E_(XTEAWT-0-2A0-R30-FB-0001)_98.1907lm@250mA_CCT=5453K_P=0.78W_I=0.25A



cd/klm

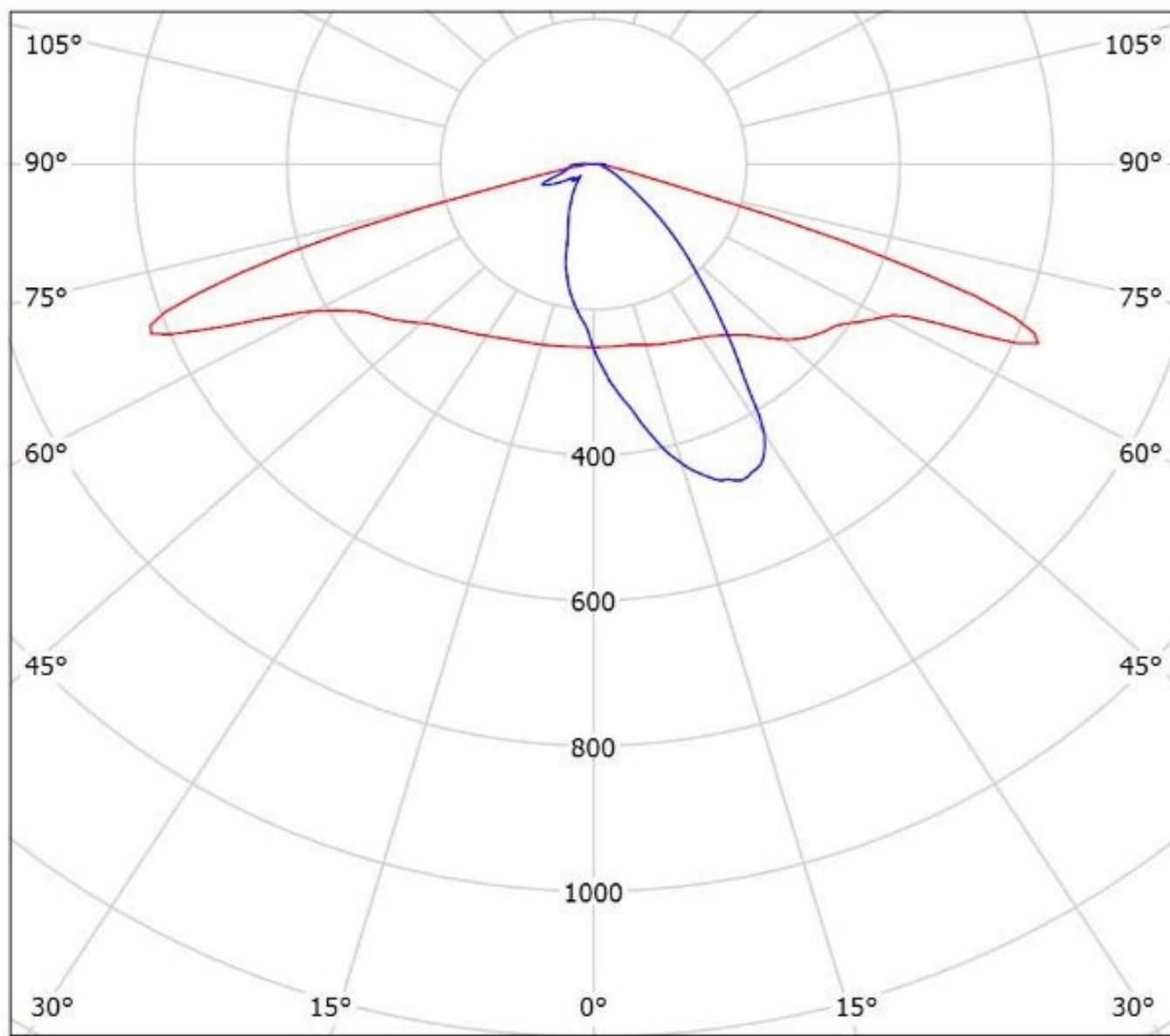
$\eta = 96\%$

— C0 - C180

— C90 - C270

Luminaire: Ledil J14502_STRADELLA-T2_(XP-G2)

Lamps: 1 x Cree_XP-G2_105.471lm@250mA_CCT=6596K_P=0.7643W_I=0.250mA

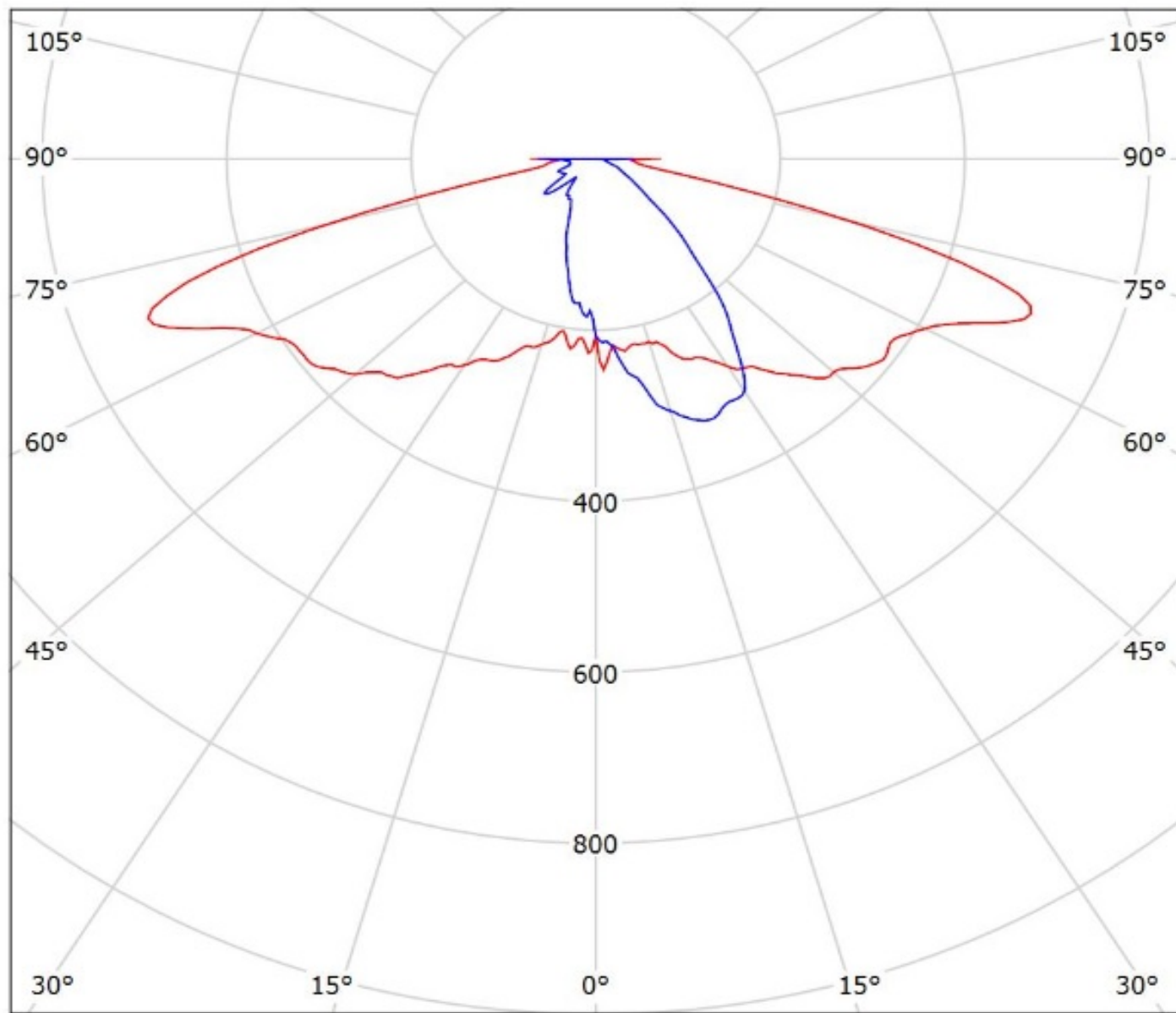


cd/klm

— C0 - C180 — C90 - C270

$\eta = 94\%$

Luminaire: Ledil Oy C14502_STRADELLA-T2_(XP-G3)_SIMULATED
Lamps: 1 x Cree XP-G3



cd/klm

— C0 - C180 — C90 - C270

$\eta = 91\%$

NOTE: The typical divergence will be changed by different color, chip size and chip position tolerance. The typical total divergence is the full angle measured where the luminous intensity is half of the peak value.