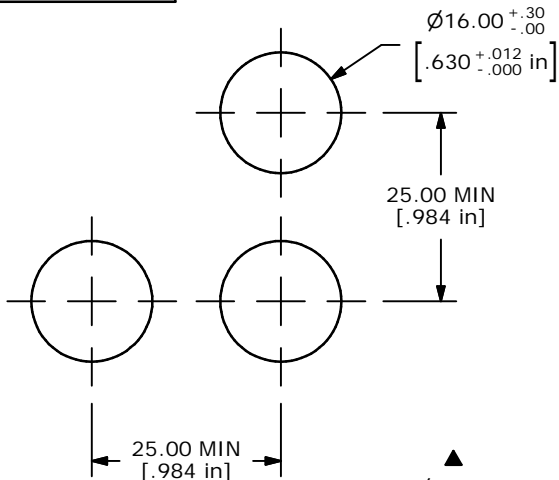
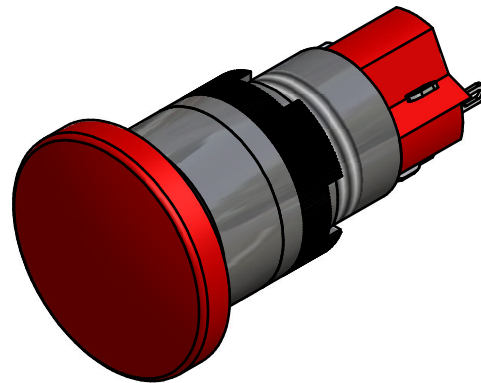
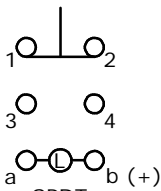
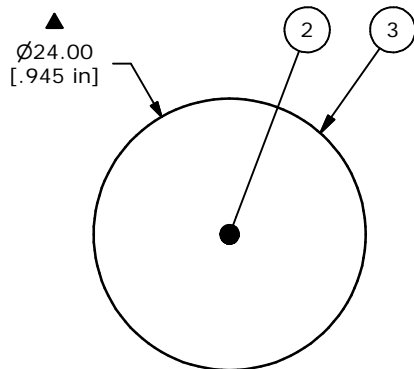


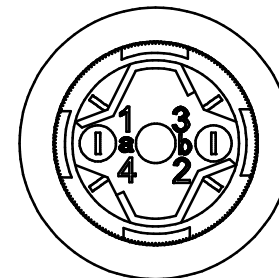
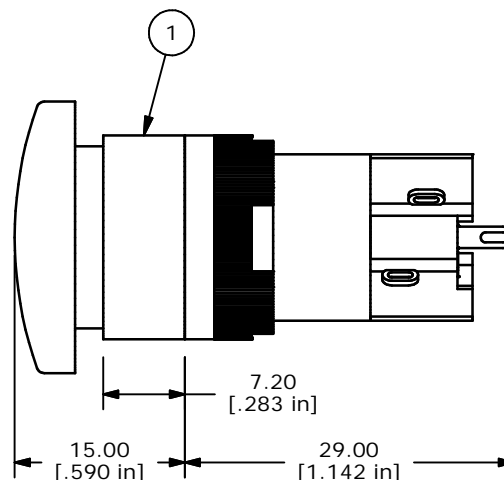
ITEM	QTY	PART NUMBER	DESCRIPTION
1	1	F040006	D16EER11
2	1	F050401	50-004-01 6VAC/DC 40mA INCANDESCENT
3	1	F051212	50-012-41 RED TRANSPARENT MUSHROOM



PANEL MOUNTING



CONTACT CONFIGURATION



NOTE:

1. ALL DIMENSIONS IN MM [INCH]
2. GENERAL TOLERANCE: X.X=±0.4
X.XX=±0.25
3. TERMINAL NUMBERS FOR REF ONLY
4. MECHANICAL LIFE: 2,000,000 OPERATIONS
5. INSULATION RESISTANCE: 1,000 MILLI-OHM MIN.
6. OPERATING TEMP.: -25°C to 55°C
- ▲ 7. LAMP VOLTAGE: 6V AC/DC INCANDESCENT
8. ▲ DENOTES CRITICAL PARAMETER.

E-SWITCH®

TITLE D16EER1MRED

REV	PCR NO	DESCRIPTION	DATE	BY
A	14643	RELEASED FOR PRODUCTION	1/28/05	AR

SCALE	DATE	DR	DWG	REV
2:1	1/28/05	AR	XF0623P	A

THE INFORMATION CONTAINED IN THIS DOCUMENT IS PROPRIETARY TO E-SWITCH AND IS NOT TO BE COPIED OR TRANSFERRED