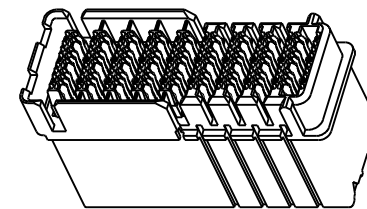
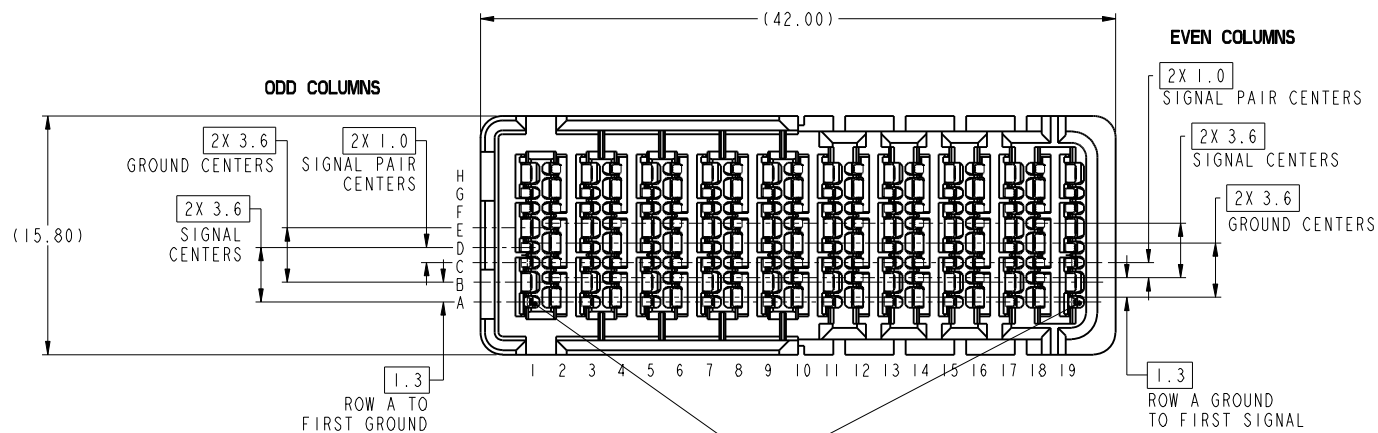
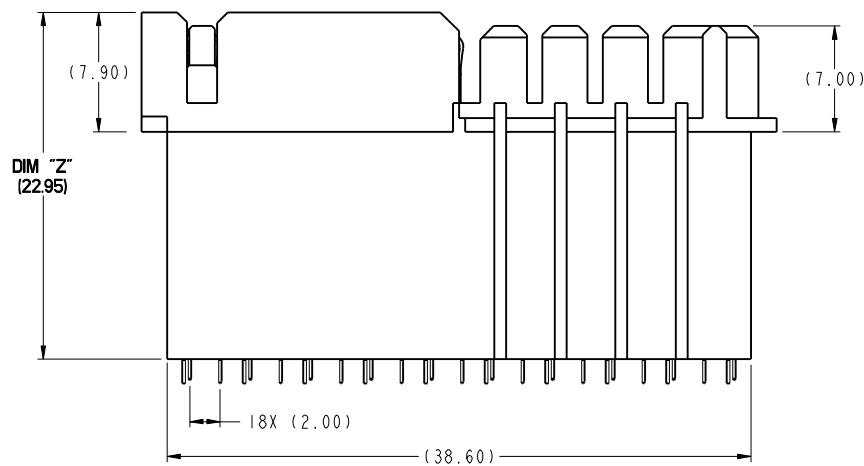
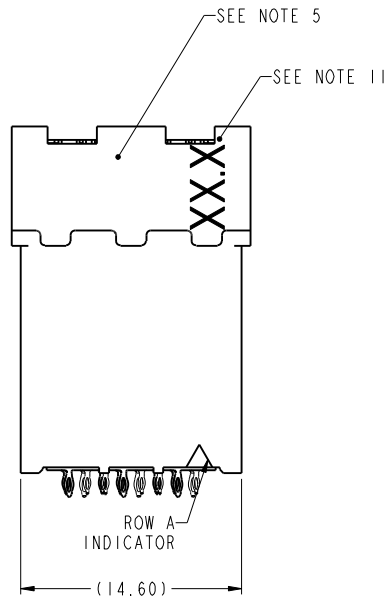


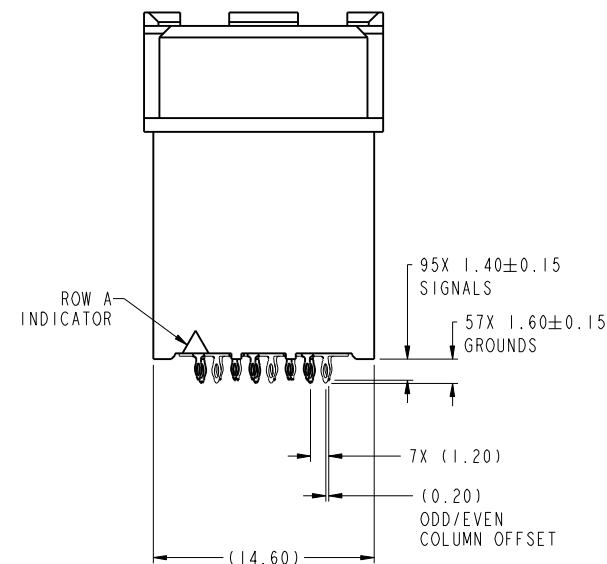
PRODUCT NUMBERS SEE TABLE ON LAST SHEET



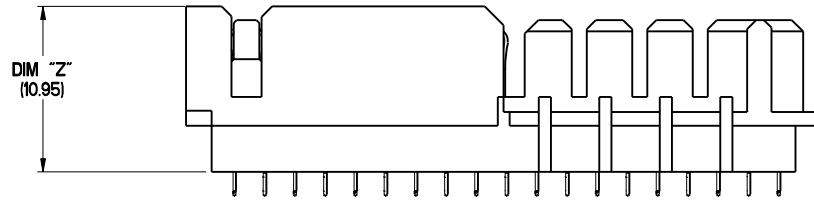
SCALE 2:1



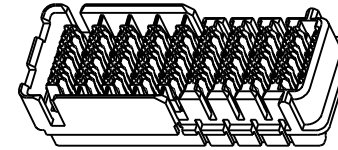
10127225-119500ULF SHOWN  
SCALE 4:1



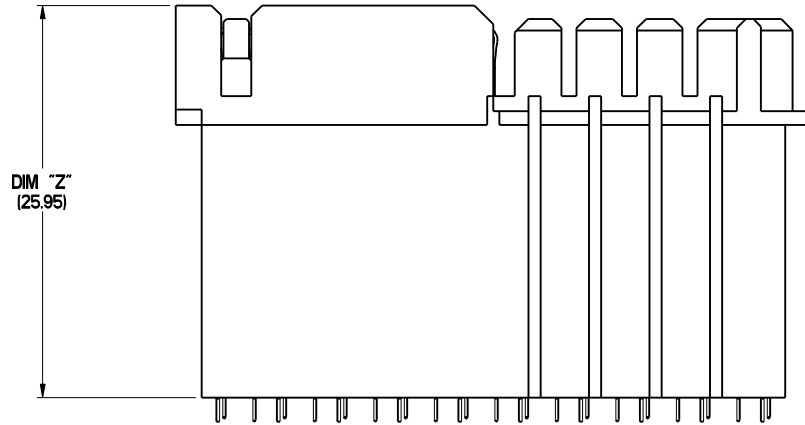
spec ref	SEE NOTES	dr	M. LAUERMANN	2013-09-10	projection	mm	size	A2	scale	4:1									
tolerance std	TOLERANCES UNLESS OTHERWISE SPECIFIED	eng	M. LAUERMANN	2013-09-10			ech no												
ASME Y14.5M		chr	M. LAUERMANN	2013-09-10			rel level	In Work											
		appr	M. LAUERMANN	2013-09-10			product family	ExoMEZZ											
surface	<table border="1"> <tr> <td>linear</td> <td>0.x</td> <td>±0.3</td> </tr> <tr> <td></td> <td>0.xx</td> <td>±0.10</td> </tr> <tr> <td></td> <td>0.xxx</td> <td>±0.05</td> </tr> <tr> <td>angular</td> <td>0°</td> <td>±2°</td> </tr> </table>	linear	0.x	±0.3		0.xx	±0.10		0.xxx	±0.05	angular	0°	±2°		<b>ExoMEZZ CONNECTOR ASSEMBLY</b> HERMAPHRODITIC, 2 PAIR, 19 IMLA			title 10127225	rev 14
linear	0.x	±0.3																	
	0.xx	±0.10																	
	0.xxx	±0.05																	
angular	0°	±2°																	
		www.fci.com	cat. no.		Product - Customer Draw	sheet 1 of 4													



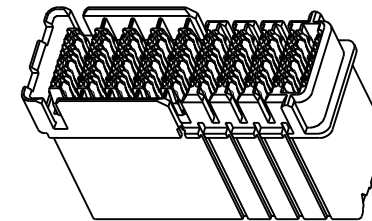
**SHORTEST HEIGHT**  
**10127225-107500ULF SHOWN**  
 SCALE 4:1



SCALE 2:1



**TALLEST HEIGHT**  
**10127225-122500ULF SHOWN**  
 SCALE 4:1

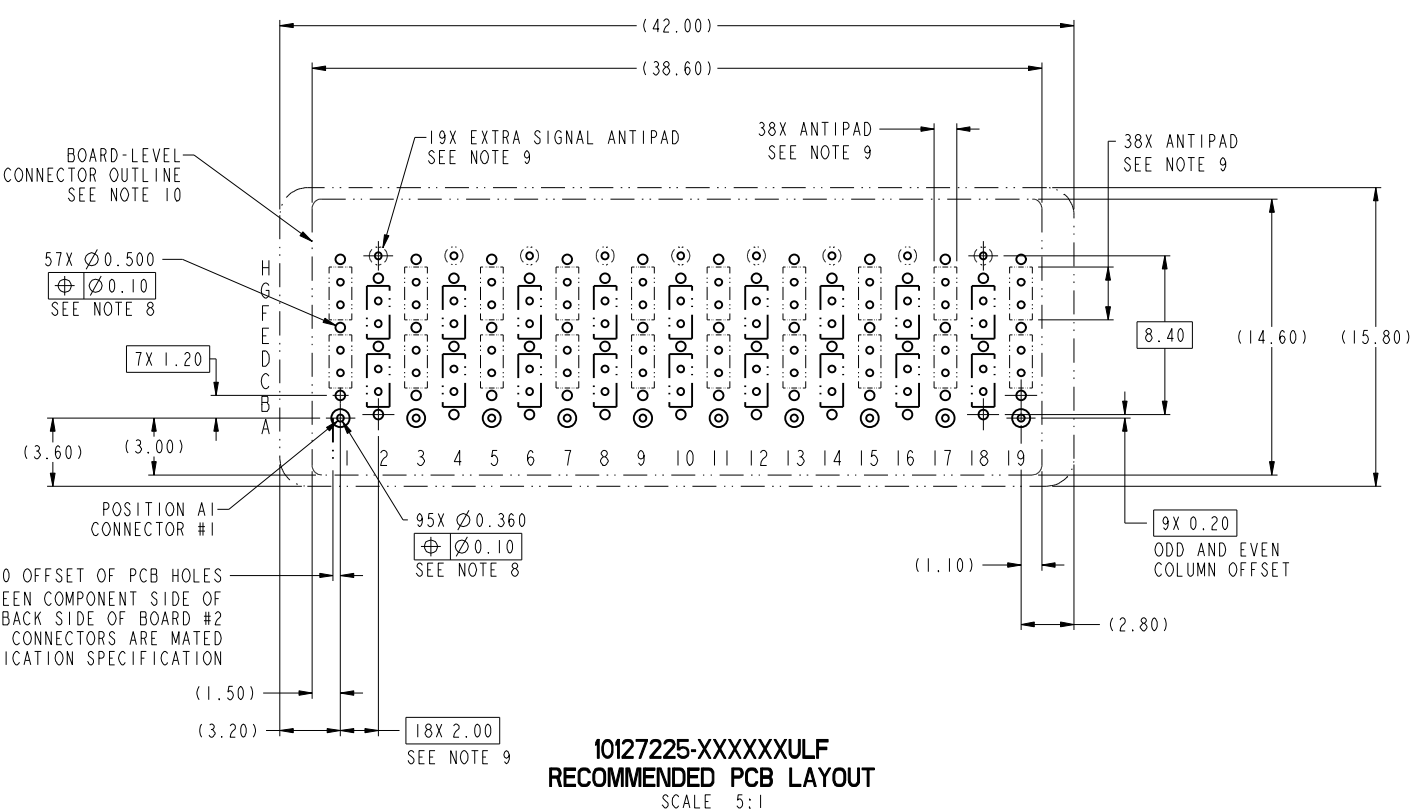


SCALE 2:1

spec ref	SEE NOTES		dr	M. LAUERMANN	2013-09-10	projection	mm	size	A2	scale	4:1							
tolerance std	ASME Y14.5M		eng	M. LAUERMANN	2013-09-10			ech no										
TOLERANCES UNLESS OTHERWISE SPECIFIED		chr	M. LAUERMANN	2013-09-10	product family			ExaMEZZ	rel level	In Work								
surface	<input checked="" type="checkbox"/> linear <table border="1"> <tr> <td>0.X</td> <td>±0.3</td> </tr> <tr> <td>0.XX</td> <td>±0.10</td> </tr> <tr> <td>0.XXX</td> <td>±0.05</td> </tr> </table> <input type="checkbox"/> angular <table border="1"> <tr> <td>0°</td> <td>±2°</td> </tr> </table>	0.X	±0.3	0.XX	±0.10			0.XXX	±0.05	0°	±2°	appr	M. LAUERMANN	2013-09-10	title	ExaMEZZ CONNECTOR ASSEMBLY	ang no	10127225
0.X	±0.3																	
0.XX	±0.10																	
0.XXX	±0.05																	
0°	±2°																	
		www.fci.com	cat. no.			Product - Customer	Drw		sheet 2 of 4									

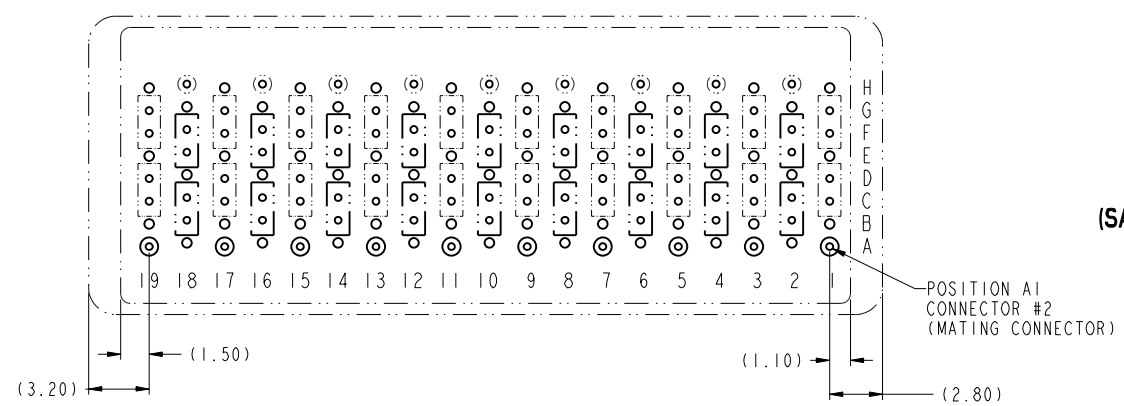


Copyright FCI.



**10127225-XXXXXXULF**  
**RECOMMENDED PCB LAYOUT**  
 SCALE 5:1

**BOARD FOOTPRINT**  
**CONNECTOR #1**  
**COMPONENT SIDE**



**BOARD FOOTPRINT**  
**CONNECTOR #2 (MATING CONNECTOR)**  
**(SAME FOOTPRINT, DIFFERENT A1 LOCATION)**  
**COMPONENT SIDE**

spec ref	SEE NOTES	dr	M. LAUERMAN	2013-09-10	projection	mm	size	A2	scale	2:1											
tolerance std	TOLERANCES UNLESS OTHERWISE SPECIFIED	eng	M. LAUERMAN	2013-09-10			ech no	rel level	In Work	rev											
ASME Y14.5M		chr	M. LAUERMAN	2013-09-10																	
surface	<table border="1"> <tr> <td>linear</td> <td>0.x</td> <td>±0.3</td> </tr> <tr> <td></td> <td>0.xx</td> <td>±0.10</td> </tr> <tr> <td></td> <td>0.xxx</td> <td>±0.05</td> </tr> <tr> <td>angular</td> <td>0°</td> <td>±2°</td> </tr> </table>	linear	0.x	±0.3		0.xx	±0.10		0.xxx	±0.05	angular	0°	±2°	appr	M. LAUERMAN	2013-09-10	product family	ExoMEZZ	eng no	10127225	14
linear	0.x	±0.3																			
	0.xx	±0.10																			
	0.xxx	±0.05																			
angular	0°	±2°																			
		<b>ExoMEZZ CONNECTOR ASSEMBLY</b> HERMAPHRODITIC, 2 PAIR, 19 IMLA		<b>Product - Customer Drw</b>		sheet 3 of 4															



Copyright FCI.

1 - CONNECTOR MATERIALS:  
 HOUSING: HIGH TEMP THERMOPLASTIC, NATURAL, UL94-V0  
 IMLA PLASTIC: HIGH TEMP THERMOPLASTIC, BLACK, UL94-V0  
 CONTACT: COPPER ALLOY

2 - CONTACT PLATING:  
 SEPARABLE INTERFACE:  
 PERFORMANCE-BASED PLATING, QUALIFIED TO MEET THE  
 REQUIREMENTS OF FCI PRODUCT SPECIFICATION GS-12-1150  
 INCLUDING TELCORDIA GR-1217-CORE (NOVEMBER 1995)  
 CENTRAL OFFICE TEST SEQUENCE.

PRESS-FIT TAILS:  
 TIN OVER NICKEL (LEAD-FREE)

3 - PRODUCT SPECIFICATION: GS-12-1150

4 - APPLICATION SPECIFICATION: GS-20-0373

5 - PRODUCT MARKING (PART NUMBER & LOT CODE) ON THIS SURFACE.

6 - LEAD FREE PRODUCT MEETS THE EUROPEAN UNION DIRECTIVES &  
 OTHER COUNTRY REGULATIONS AS DESCRIBED IN GS-47-0004.

7 - PACKAGING MEETS GS-14-920 LEAD FREE LABELING  
 SPECIFICATION.

8 - REFER TO CUSTOMER DRAWING 10119933 FOR INFORMATION  
 ON PCB HOLE DIAMETERS AND PLATING OPTIONS

9 - PLEASE REFER TO THE APPLICATION SPECIFICATION FOR  
 TRACE ROUTING EXAMPLES THAT INCLUDE DIMENSIONS  
 FOR ANTIPADS, TRACE WIDTHS, TRACE SPACINGS, ETC.

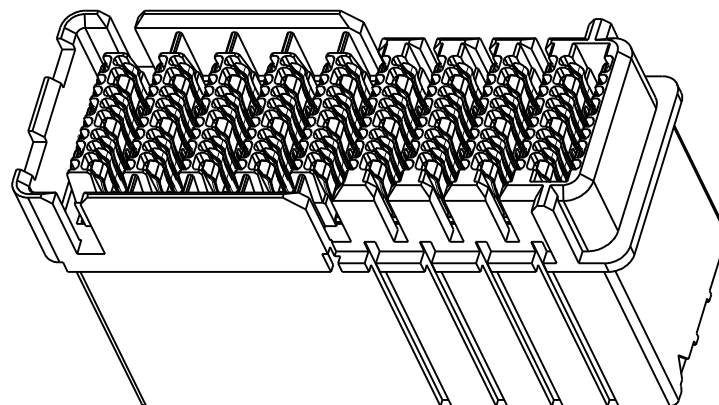
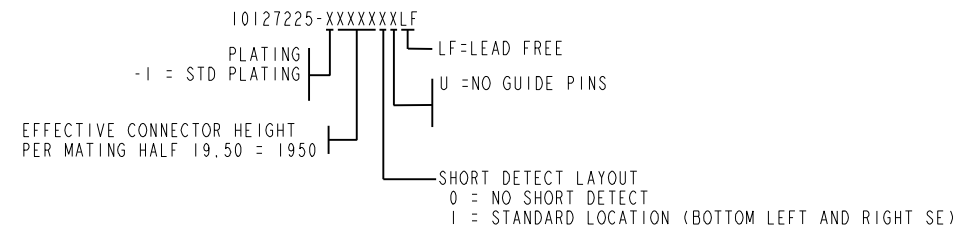
10 - CONNECTOR OUTLINE MAY BE SCREEN PRINTED ONTO CUSTOMER PCB TO BE USED AS A GUIDE  
 FOR MANUAL CONNECTOR PLACEMENT.

11 - PRODUCT STACK HEIGHT (7.5, 12.5, 19.5, OR 22.5) LASER MARKED ON THIS SURFACE.

12 - THE SHORT DETECT CONNECTOR (WHEN MATED WITH A NON-SHORT DETECT  
 CONNECTOR) WILL PROVIDE CONTACTS THAT MATE 1.00mm AFTER THE REMAINDER  
 OF STANDARD LENGTH SIGNAL AND GROUND CONTACTS MATE. NEVER MATE A SHORT DETECT  
 CONNECTOR WITH ANOTHER SHORT DETECT CONNECTOR.

13. THE HOUSING WILL WITHSTAND EXPOSURE TO 260 °C FOR 10-30 SECONDS  
 IN A CONVECTION, INFRA-RED, OR VAPOR PHASE REFLOW OVEN.

PRODUCT NUMBER	STACK HEIGHT EACH SIDE	DIM "Z"	SHORT DETECTS
10127225-107500ULF	7.5 mm	10.95	NO
10127225-107501ULF	7.5 mm	10.95	YES
10127225-110500ULF	10.5 mm	13.95	NO
10127225-110501ULF	10.5 mm	13.95	YES
10127225-112500ULF	12.5 mm	15.95	NO
10127225-112501ULF	12.5 mm	15.95	YES
10127225-113500ULF	13.5 mm	16.95	NO
10127225-113501ULF	13.5 mm	16.95	YES
10127225-117500ULF	17.5 mm	20.95	NO
10127225-117501ULF	17.5 mm	20.95	YES
10127225-119500ULF	19.5 mm	22.95	NO
10127225-119501ULF	19.5 mm	22.95	YES
10127225-122500ULF	22.5 mm	25.95	NO
10127225-122501ULF	22.5 mm	25.95	YES



spec ref	SEE NOTES	dr	M. LAUERMANN	2013-09-10	projection	mm	size	A2	scale	4:1									
tolerance std	TOLERANCES UNLESS OTHERWISE SPECIFIED	eng	M. LAUERMANN	2013-09-10				echn no	rel level	In Work									
ASME Y14.5M		chr	M. LAUERMANN	2013-09-10															
		appr	M. LAUERMANN	2013-09-10															
surface	<table border="1"> <tr><td>linear</td><td>0.X</td><td>±0.3</td></tr> <tr><td></td><td>0.XX</td><td>±0.10</td></tr> <tr><td></td><td>0.XXX</td><td>±0.05</td></tr> <tr><td>angular</td><td>0°</td><td>±2°</td></tr> </table>	linear	0.X	±0.3		0.XX	±0.10		0.XXX	±0.05	angular	0°	±2°			<b>ExaMEZZ CONNECTOR ASSEMBLY</b>		Eng no <b>10127225</b>	rev <b>14</b>
linear	0.X	±0.3																	
	0.XX	±0.10																	
	0.XXX	±0.05																	
angular	0°	±2°																	
		<a href="http://www.fci.com">www.fci.com</a>		cat. no.		Product - Customer Draw		sheet 4 of 4											



Copyright FCI.