

4

3

2

1

THIS DRAWING IS UNPUBLISHED. RELEASED FOR PUBLICATION 20
 © COPYRIGHT 20 BY TYCO ELECTRONICS CORPORATION. ALL RIGHTS RESERVED.

LOC	DIST	REVISIONS					
DS	-	P	LTR	DESCRIPTION	DATE	DWN	APVD
		A		RELEASED	29.MAY'09	SC	JK

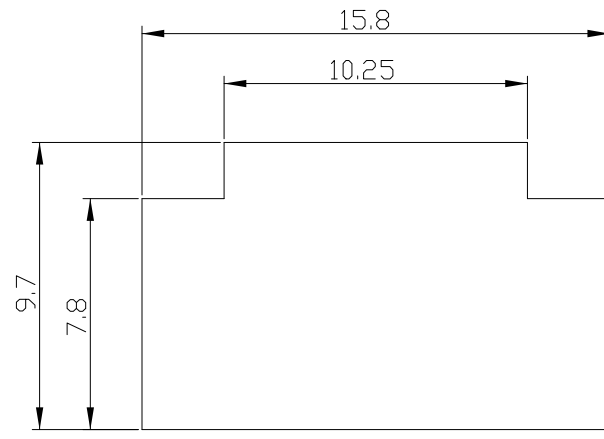
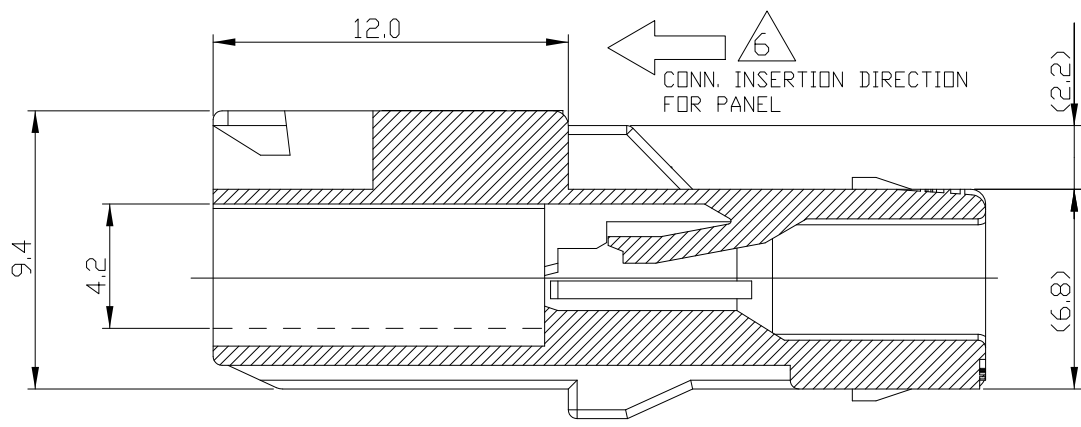
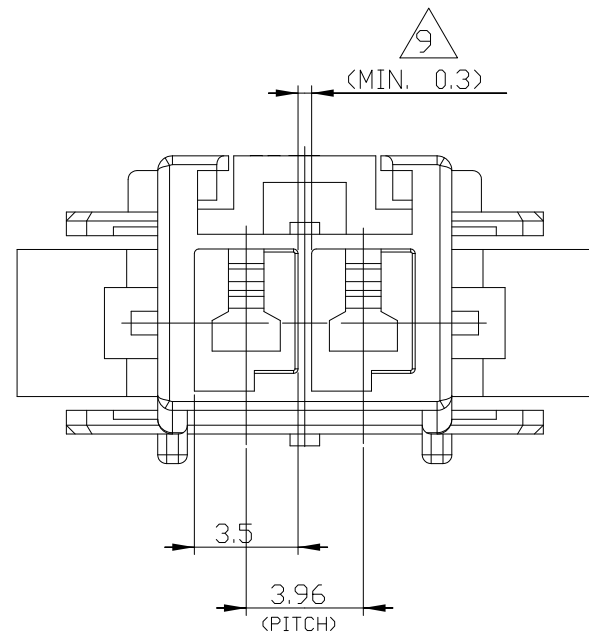
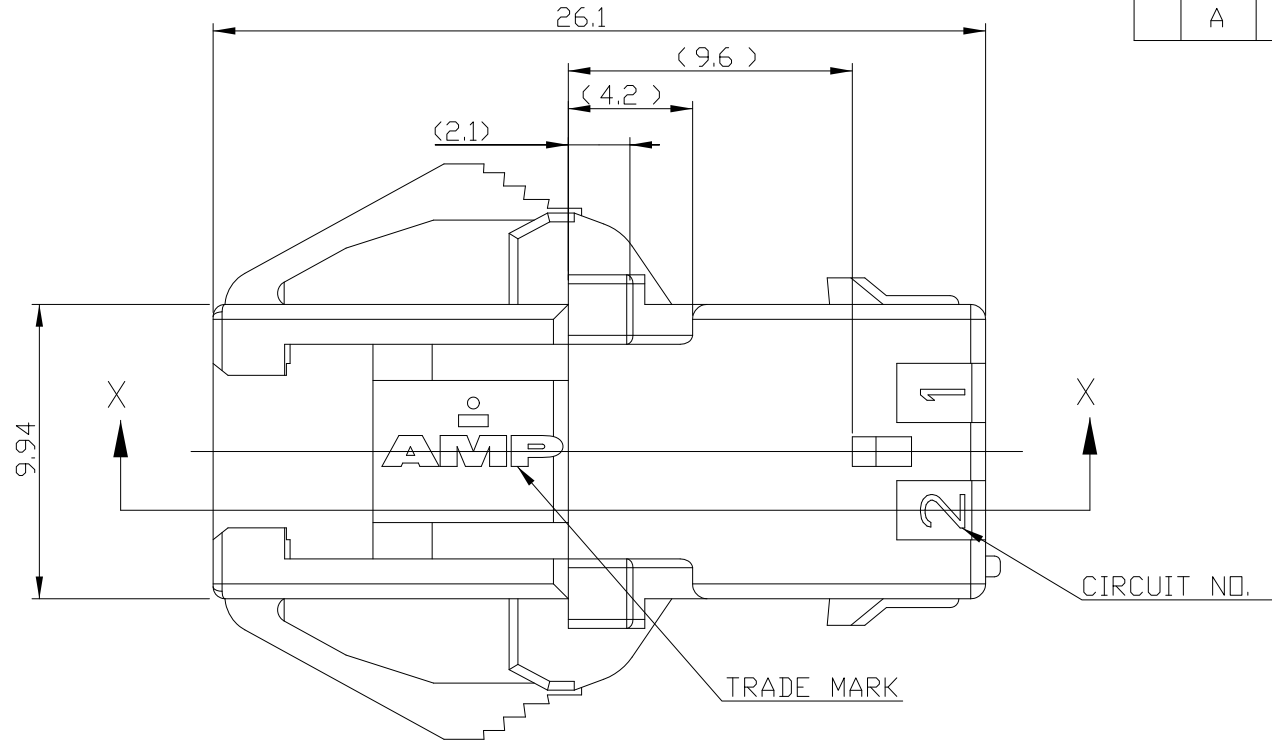
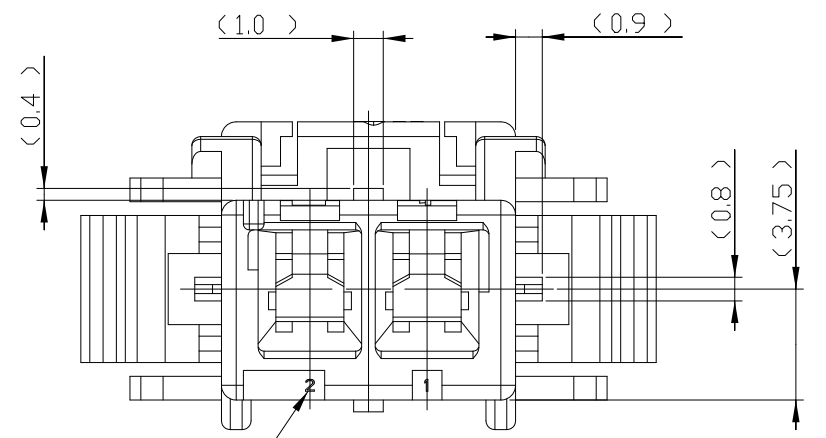


FIG 1. ⁵ RECOMMENDED PANEL OPENING DIMENSION
 TOLERANCES:±0.13



SECTION X-X



CIRCUIT NO.

- NOTE;
- 1.APPLICABLE CONTACT P/N
 -TAB CONTACT:177917- □(AWG#16-#20)
 177916- □(AWG#22-#26)
 - 2.MATING CONN.P/N
 -PLUG HSG:2005247- □
 -REC CONTACT:177915- □(AWG#16-#20)
 :177914- □(AWG#22-#26)
 - 3.APPLICABLE DOUBLE LOCK PLATE:
 177918-1(V-0) OR □-368590-1(V-2,GWT)
 *IT SHOULD BE USED CERTAINLY WHEN CABLE ASS'Y
 - 4.GENERAL TOLERANCES:±0.3
 - 5.APPLICATOIN PANEL THICKNESS: 0.8~2.0 (SEE FIG 1.)
 - 6.INSERT CONN. FROM PRESS DIRECTION SIDE FOR METAL PANEL.
 - 7.EDGE OF THICKNESS MAY MUST NOT ROUND FOR MOLDED PANEL.
 - 8.ACCORDING TO IEC 60335-1 4.2 EDITION
 -PART MEETS GWT 750°C,850°C.
 -MATERIAL MEETS BALL PRESSURE TESTING AT 125°C.
 -MATERIAL HAS CTI VALUE OF 250V.
 - 9.MIN.THICKNESS OF INSULATING WALL

2005249-9	BLACK
2005249-6	BLUE
2005249-4	YELLOW
2005249-2	RED
2005249-1	NATURAL
P/N	COLOR

THIS DRAWING IS A CONTROLLED DOCUMENT FOR TYCO ELECTRONICS CORPORATION IT IS SUBJECT TO CHANGE AND THE CONTROLLING ENGINEERING ORGANIZATION SHOULD BE CONTACTED FOR THE LATEST REVISION.		DWN SC KIM	AMP KOREA Kyungsan, Korea	
DIMENSIONS: mm		CHK BW KANG		
TOLERANCES UNLESS OTHERWISE SPECIFIED: 0 PLC ±- 1 PLC ±0.3 2 PLC ±0.10 3 PLC ±0.001 4 PLC ±0.0001 ANGLES ±-		APVD JK SONG	NAME PDL 2P CAP HSG 3.96mm P/M (GWT)	
MATERIAL PA66(UL94V-0)		FINISH -	PRODUCT SPEC 108-61106	APPLICATION SPEC -
		WEIGHT -	SIZE A3	CAGE CODE 00779
		CUSTOMER DRAWING	DRAWING NO 2005249	RESTRICTED TO -
		SCALE 4:1	SHEET 1	OF 1
			REV A	