

Customer Information Sheet

DRAWING No.: S7121-42R

SHEET 2 OF 2

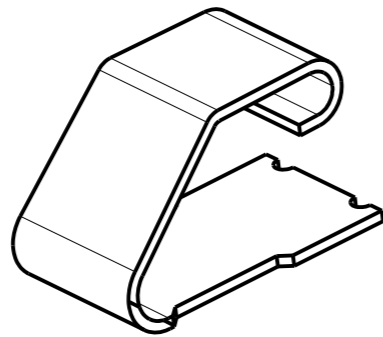
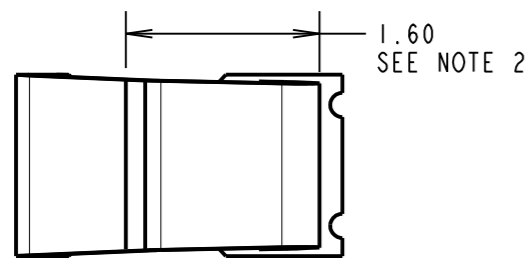
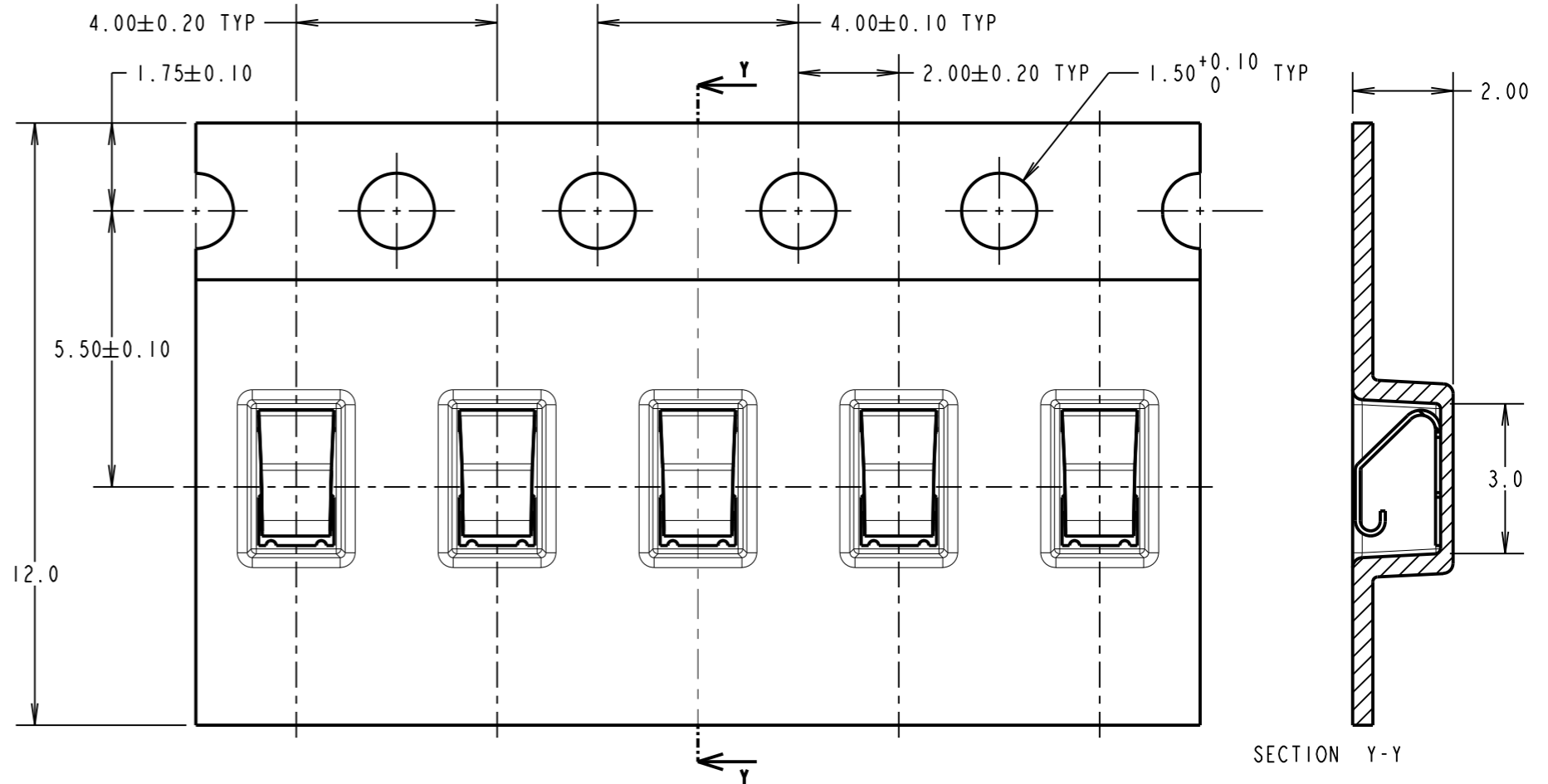
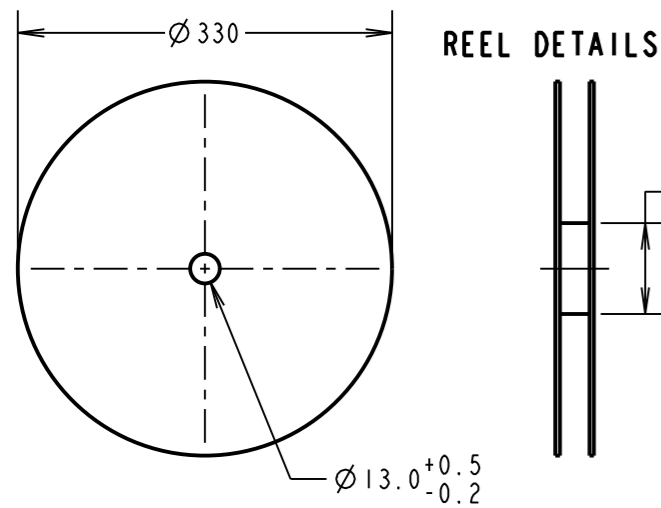
IF IN DOUBT - ASK

©

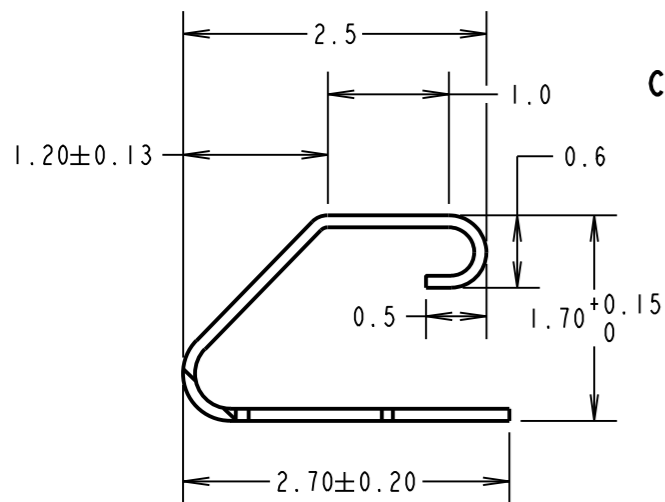
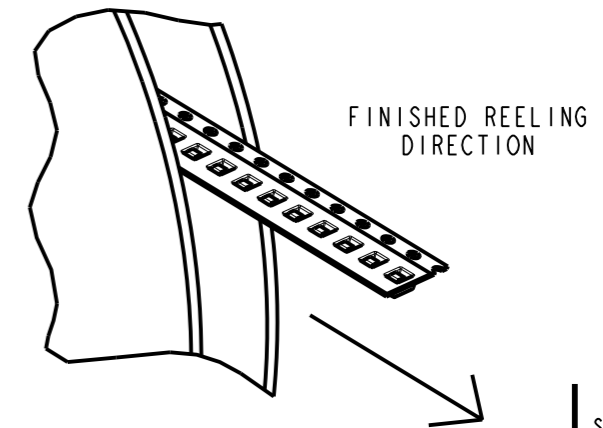
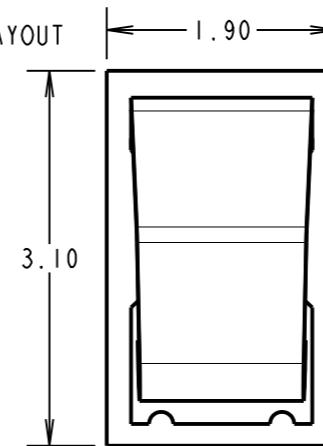
NOT TO SCALE

THIRD ANGLE PROJECTION

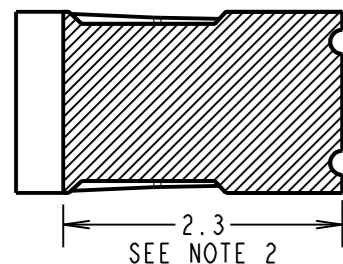
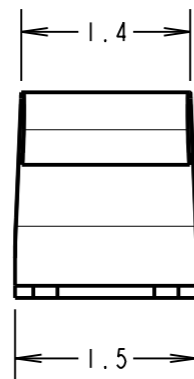
ALL DIMENSIONS IN mm



RECOMMENDED PAD LAYOUT



COMPONENT DETAILS



COMPONENT SPECIFICATION:

MATERIAL = TITANIUM COPPER ALLOY,
0.10mm THICK
FINISH = 0.7 μ -1.3 μ NICKEL, GOLD FLASH
ON CONTACT AREAS.
RECOMMENDED WORKING HEIGHT = 1.50mm / MIN FORCE = 1.2N
RECOMMENDED MINIMUM WORKING HEIGHT = 1.20mm
ELECTRICAL:
CURRENT RATING = 4A
MECHANICAL:
DURABILITY = 3000 CYCLES
ENVIRONMENTAL:
OPERATING TEMPERATURE = -55°C TO +125°C

NOTES:

1. QUANTITY PER REEL = 5000.
2. GOLD PLATED AREA.
3. ALL TOLERANCES ARE: X.X = ± 0.30 mm
X.XX = ± 0.15 mm
UNLESS OTHERWISE STATED.

SB	7	21.11.13	12234
NAME	ISS.	DATE	C/NOTE
APPROVED:		S.BENNETT	
CHECKED:		S.FLOWER	
DRAWN:		R.ADDE	
CUSTOMER REF.:			
ASSEMBLY DRG:			

HARWIN

www.harwin.com
technical@harwin.com

THIS DRAWING AND ANY INFORMATION OR DESCRIPTIVE MATTER SET OUT HEREON ARE CONFIDENTIAL AND COPYRIGHT PROPERTY OF THE HARWIN GROUP AND MUST NOT BE DISCLOSED, LOANED, COPIED OR USED FOR MANUFACTURING, TENDERING OR FOR ANY OTHER PURPOSE WITHOUT THEIR WRITTEN PERMISSION.

TOLERANCES
X = ± 1 mm
X.X = ± 0.25 mm
X.XX = ± 0.10 mm
X.XXX = ± 0.01 mm
ANGLES = $\pm 5^\circ$
UNLESS STATED

MATERIAL: SEE ABOVE
FINISH: SEE ABOVE
S/AREA: mm²

TITLE: SMT SHIELD FINGER (1.7mm) IN TAPE AND REEL
DRAWING NUMBER: S7121-42R
SHT 2 OF 2