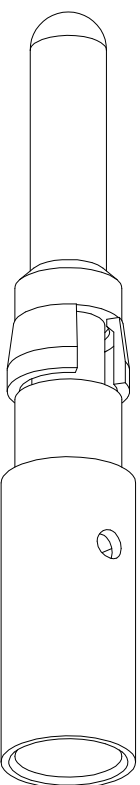
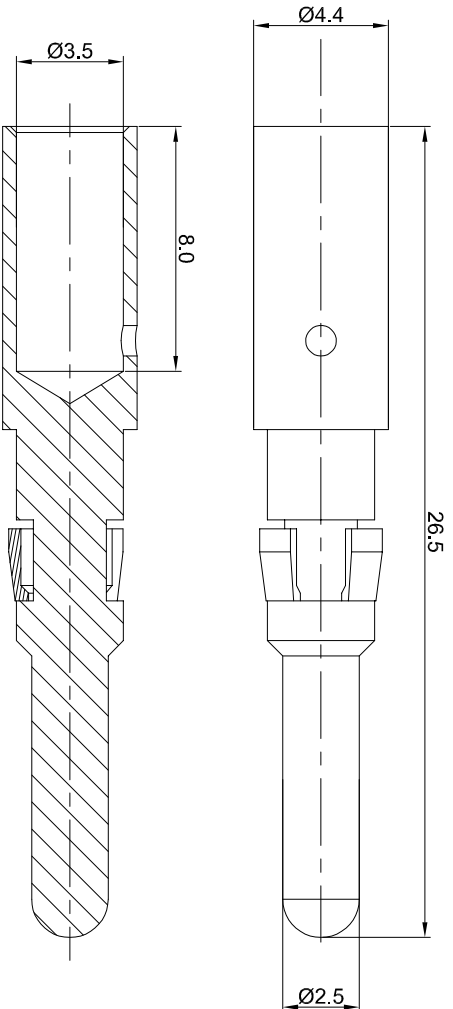


REVISIONS					
REV	ECO	DESCRIPTION	DATE	BY	APPR
A1	-	FIRST RELEASE	May/27/2017	Tom	TOMMY
A2	-	Modify the current rating	Jul,10,2017	White	TOMMY



P/N	CONTACT PLATING(MATING AREA)
MP10B23T	TIN PLATING OVER NICKEL.
MP10B23S	SILVER PLATING OVER NICKEL.
MP10B23F	GOLD FLASH PLATING OVER NICKEL.
MP10B23G5	5µ" GOLD PLATING OVER NICKEL.
MP10B23G10	10µ" GOLD PLATING OVER NICKEL.
MP10B23G15	15µ" GOLD PLATING OVER NICKEL.
MP10B23G30	30µ" GOLD PLATING OVER NICKEL.

- NOTES : ( UNLESS OTHERWISE SPECIFIED )
- MATERIAL :
    - CONTACT BODY : COPPER ALLOY.
    - POSITIONING CLIP : COPPER ALLOY.
  - SPECIFICATIONS :
    - CURRENT RATING : 35A(MAX).
    - TERMINATION TYPE : CRIMPING.
  - WIRE RANGE : 10~12 AWG.
  - SUITABLE SOCKET : MS10B23xx.
  - ALL DIMENSIONS ARE FOR REFERENCE USE ONLY.

QUANTITY	PART NUMBER	DESCRIPTION	ITEM
<b>MATERIALS LIST</b>			
UNLESS OTHERWISE SPECIFIED			
1) All dimensions given in millimeters.			
2) Tolerances are as follows: A:10µ			
1 PL DEC 2010 Fractional 1/16"			
3 PL DEC 2010 Angles 1°			
3) Note reference =			
MATERIAL SPECIFICATIONS:		CUSTOMER:	
PROCESS SPECIFICATIONS:		THIS DRAWING IS SUPPLIED FOR INFORMATION ONLY. IT IS NOT TO BE USED FOR PRODUCTION. SPECIFICATIONS AND PERFORMANCE DATA ARE THE PROPERTY OF AMPHENOL CORPORATION. NO PARTS OF REPRODUCTION ARE PERMITTED. ALL MANUFACTURING VARIATIONS.	
NEXT ASSY:		SCALE: NONE	
SIGNATURES		DATE	
DRAWN:		Jul,10,2017	
CHECKED:			
ENGINEER:			
APPROVAL:			
ECCO-MATE PIN CONTACT		MACHINE: MALE CONTACT 2.5mm	
Amphenol		Sine Systems - www.amphenol-sine.com	
44724 Morley Drive		Clinton Township, MI 48036	
SIZE	TYPE	DWG NO.	REVISION
B	C-	MP10B23xx	A2
SHEET	1	OF	1

FILE: ECO-MATE PIN CONTACT, MACHINE: MALE CONTACT 2.5mm DWG NO.: MP10B23xx REV: A2 SH: 1 OF: 1