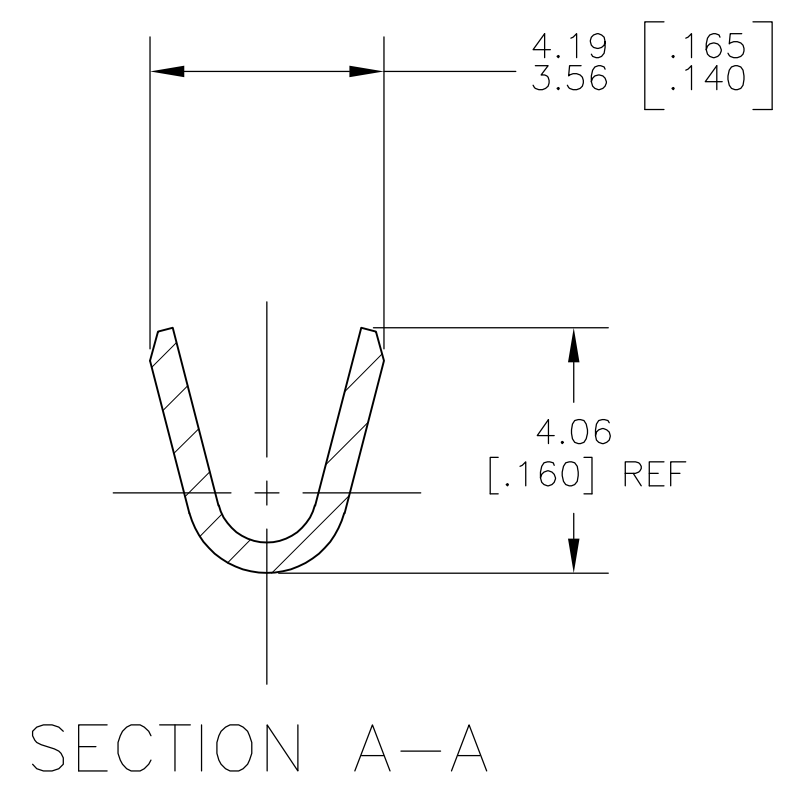
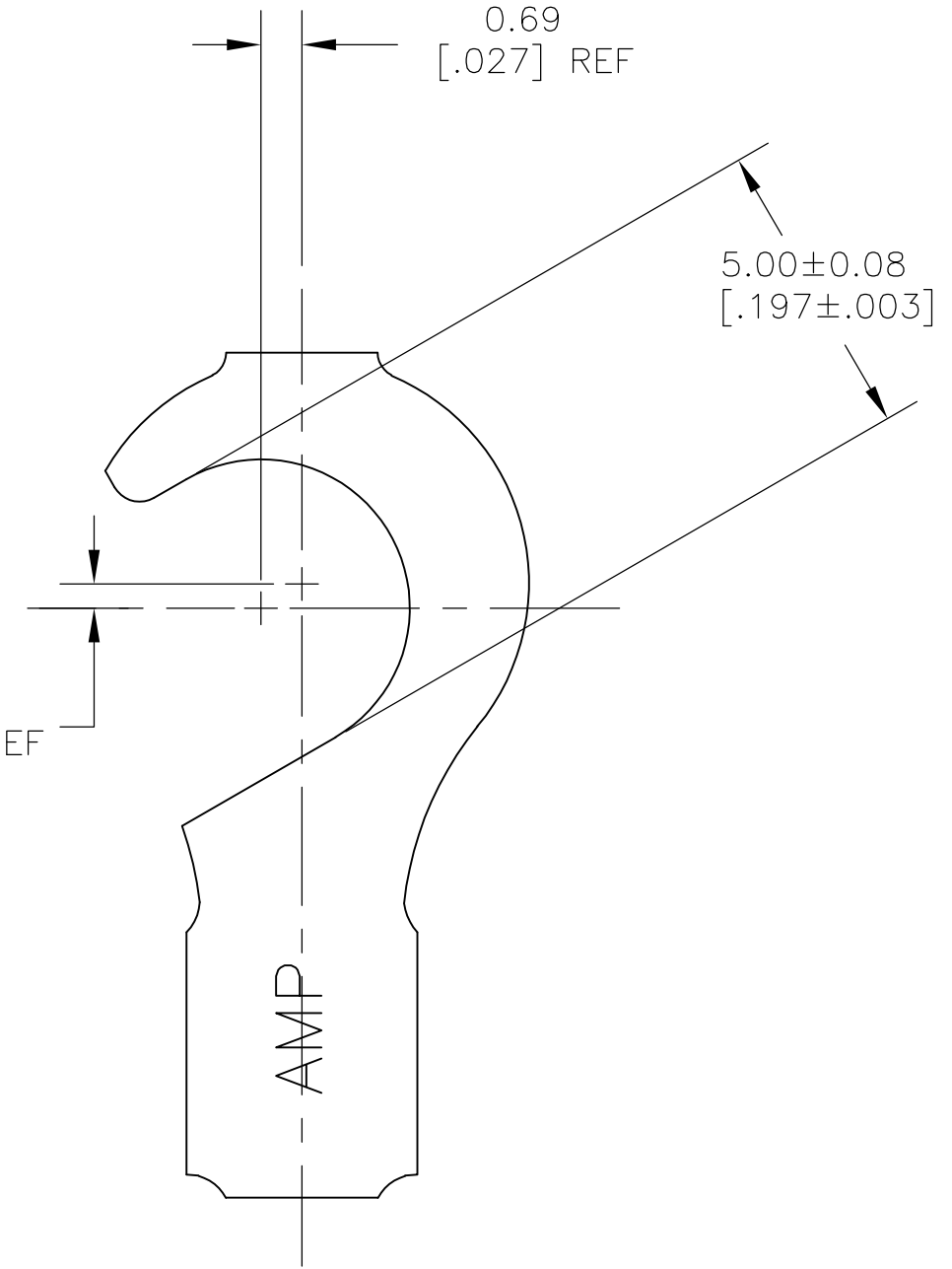
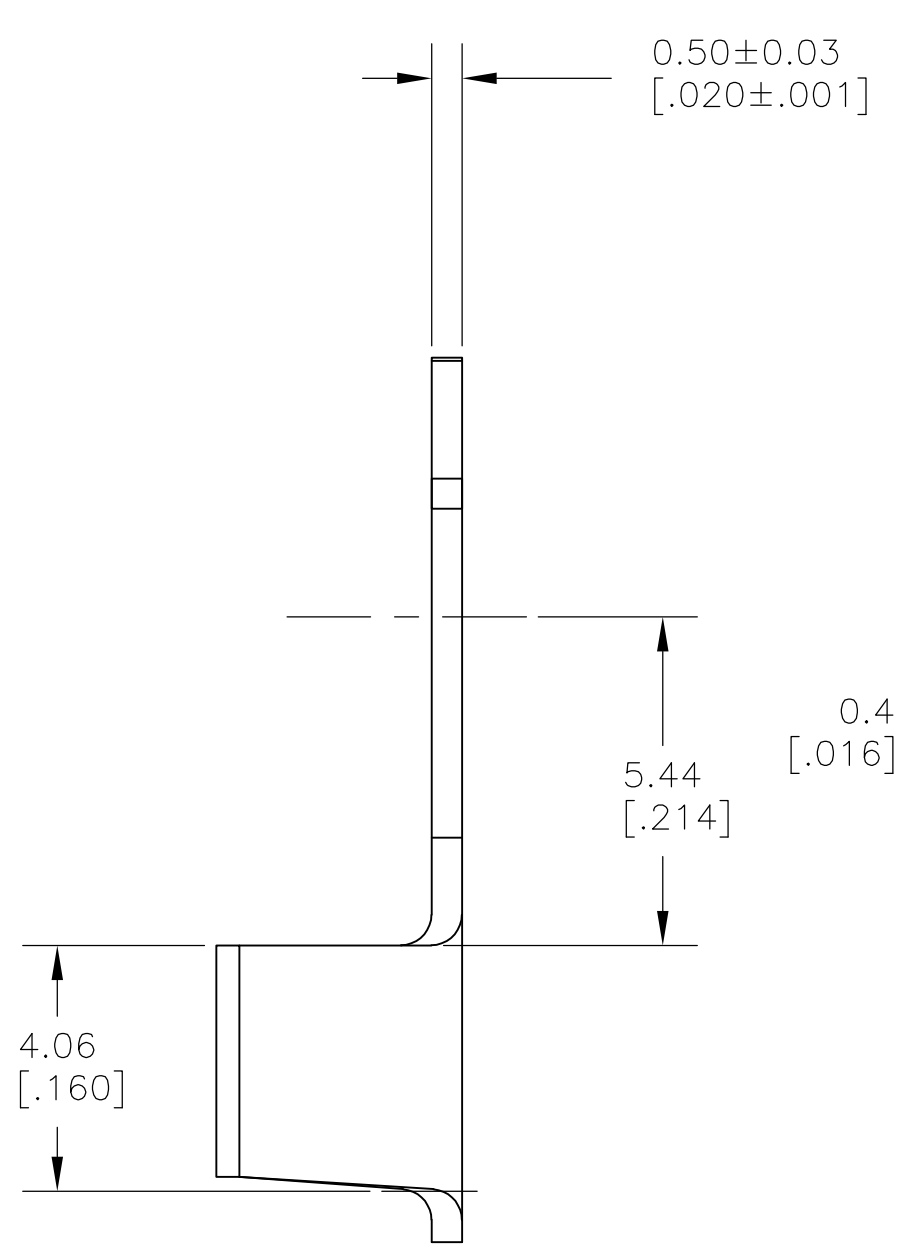
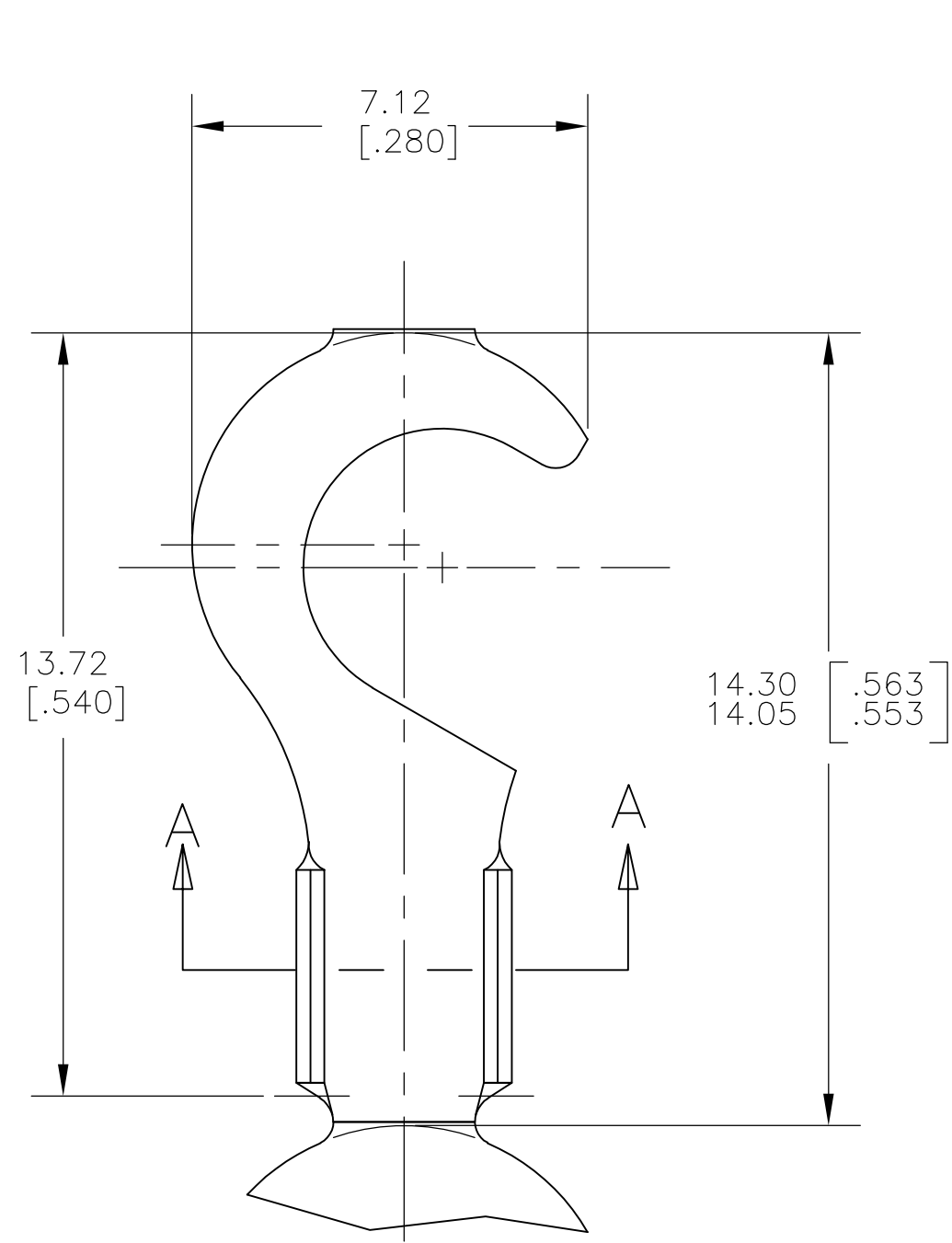


THIS DRAWING IS UNPUBLISHED. RELEASED FOR PUBLICATION
 © COPYRIGHT BY TYCO ELECTRONICS CORPORATION. ALL RIGHTS RESERVED.

LOC	DIST	REVISIONS			
P	LTR	DESCRIPTION	DATE	DWN	APVD
AF	50				
		C	REVISED PER ECR-10-006099	07JUL10	HMR PD

- CONTINUOUS STRIP ON REELS.
- WIRE RANGE: 0.8-2.0mm² [#18-#14] AWG.



41461
 PART NUMBER

THIS DRAWING IS A CONTROLLED DOCUMENT.		DWN 18OCT2007 MICHAEL S. FEHER	Tyco Electronics Corporation Harrisburg, PA 17105-3608	
DIMENSIONS: INCHES		CHK 18OCT2007 DONALD F. DECKER	NAME TERMINAL, HOOK, SPADE, NUMBER 10 STUD SIZE	
TOLERANCES UNLESS OTHERWISE SPECIFIED:		APVD 18OCT2007 DONALD F. DECKER	RESTRICTED TO	
0 PLC ± -		PRODUCT SPEC	SIZE CAGE CODE DRAWING NO	
1 PLC ± -		APPLICATION SPEC	A2 00779 C=41461	
2 PLC ± -		WEIGHT -	SCALE 8:1 SHEET 1 of 1 REV C	
3 PLC ± 0.38 [.015]		MATERIAL 082 BRASS		
4 PLC ± -		FINISH TIN		
ANGLES ± -		CUSTOMER DRAWING		