

Information note

N° 091/22

Dear customer,

With this Infineon Technologies AG information note, we would like to inform you about the following

Partial change on surface plating of auxiliary terminals at 34mm IGBT modules

Infineon Technologies AG

Postal address D-81726 München Internet www.infineon.com Headquarters Am Campeon 1-15, D-85579 Neubiberg Phone +49 (0)89 234-0

Chairman of the Supervisory Board Dr. Wolfgang Eder

Management Board Jochen Hanebeck (CEO), Constanze Hufenbecher, Dr. Sven Schneider, Andreas Urschitz, Dr. Rutger Wijburg

Registered office Neubiberg Commercial register Amtsgericht München HRB 12649

Information note

N° 091/22

► **Products affected**

Please refer to attached affected product list
“INF_091_22_[customer-no].pdf”

► **Detailed change information**

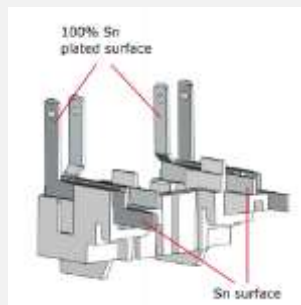
Subject The plating areas of the surface of the auxiliary contacts will be changed partially.

Reason Process optimization.

Description

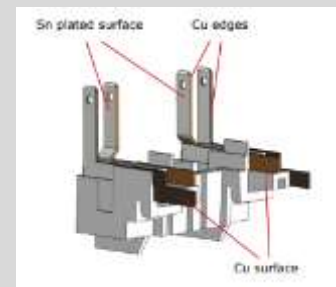
Old

- Terminals are plated 100%.



New

- Only one side of the terminals are plated.



► **Product identification**

Individual production lot number.

► **Impact of change**

No change of form, fit and function.

► **Attachments**

INF_091_22_[customer-no].pdf

affected product list

► **Intended start of delivery**

From end of February 2023 onwards. During transition period both variants might be delivered.

If you have any questions, please do not hesitate to contact your local sales office.

INF 091/22



Partial change on surface plating of auxiliary terminals at 34mm IGBT modules

Affected products sold to DIGI-KEY (4002348)

Sales name	SP number	OPN	Package	Customer part number
FD150R12RT4	SP000711858	FD150R12RT4HOSA1	AG-34MM-411/231-1	FD150R12RT4-ND, FD150R12RT4HOSA1
FF100R12RT4	SP000624754	FF100R12RT4HOSA1	AG-34MM-411/231-1	FF100R12RT4HOSA1
FF150R12RT4	SP000624908	FF150R12RT4HOSA1	AG-34MM-411/231-1	FF150R12RT4-ND, FF150R12RT4HOSA1
FF50R12RT4	SP000624912	FF50R12RT4HOSA1	AG-34MM-411/231-1	FF50R12RT4-ND, FF50R12RT4HOSA1
FF75R12RT4	SP000624916	FF75R12RT4HOSA1	AG-34MM-411/231-1	FF75R12RT4HOSA1