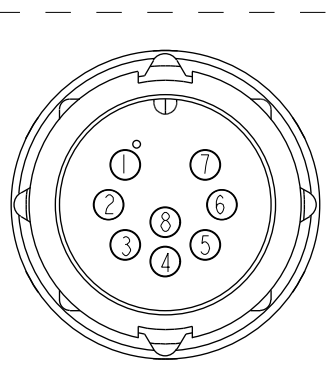
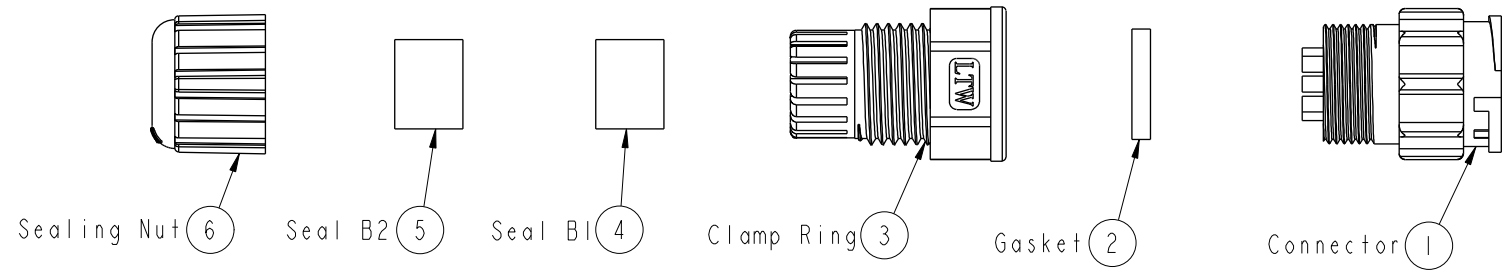
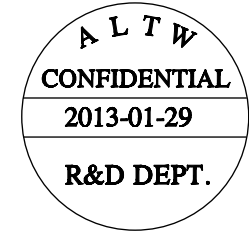
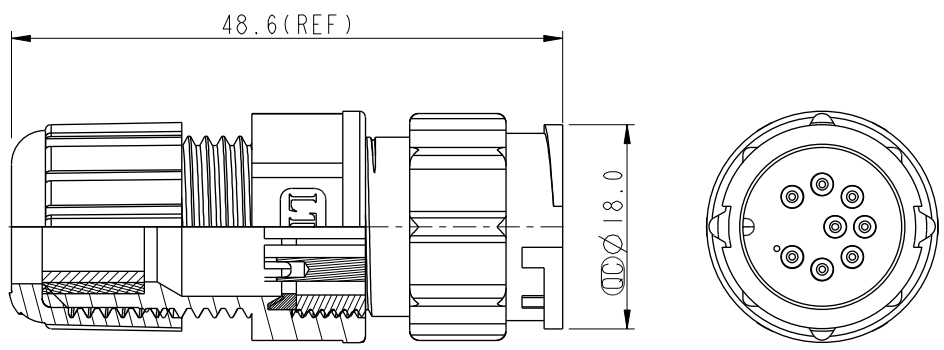


REV.	ECN NO.	DATE	SIGN	DESCRIPTION
B	LEN1310097	2013/01/29	Vicky	Update Title.



Pin Assignments
Front View



Note:

- * \varnothing Important Dimension To Check.
- * Waterproof Rate: IP67
- * Housing: Nylon+GF, Black
- * Male Pin: Copper Alloy, Gold Plated
- * Gasket: Silicon, Black
- * Clamp Ring: Nylon, Black
- * Sealing Nut: Nylon, Black
- * Seal: EPDM, Black
- * Seal B1 for Cable OD: $\varnothing 7.6\text{mm} \sim \varnothing 9.6\text{mm}$
- * Seal B2 for Cable OD: $\varnothing 4.0\text{mm} \sim \varnothing 7.6\text{mm}$

UNIT:mm		
TOLERANCE	.X ± 0.25	
	.XX ± 0.1	
	.XXX ± 0.05	
ANGLES	$\pm 1^\circ$	

TITLE Middle, Assy Lock 8 Pin M Conn. M Pin $\triangle B$			
SCALE 1:1	SIZE A4	SHEET 1 OF 1	
REV. B	WC-REV. B.1	\varnothing : Inspection item	

Amphenol LTW
安費諾亮泰企業股份有限公司

ITEM NO. CD-08BMMA-LL7001	DRAWN BY Vicky	DATE 2013-01-29
DWG NO. CD-08BMMA-LL7001	CHECKED BY Rita	DATE 2013-01-29
CUSTOMER ALTW	APPROVED BY Maslow	DATE 2013-01-29

THIS DOCUMENT IS SUBJECT TO CHANGE WITHOUT NOTICE. IT IS CONFIDENTIAL AND A PROPERTY OF Amphenol LTW. DISCLOSURE TO THIRD PARTY HAS TO BE AUTHORIZED BY Amphenol LTW.