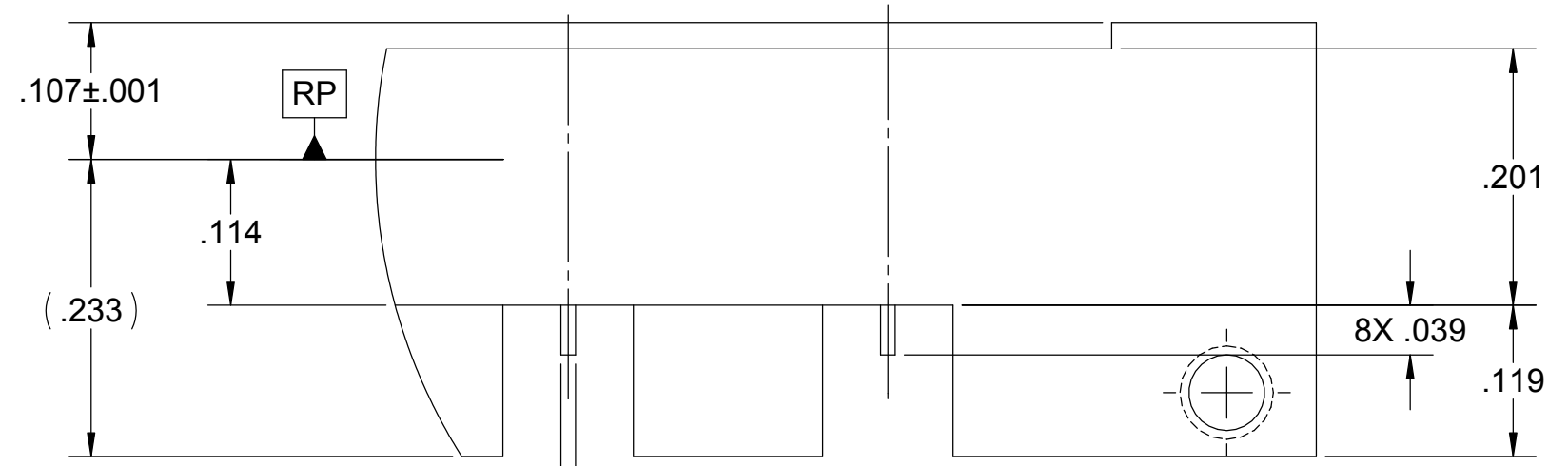
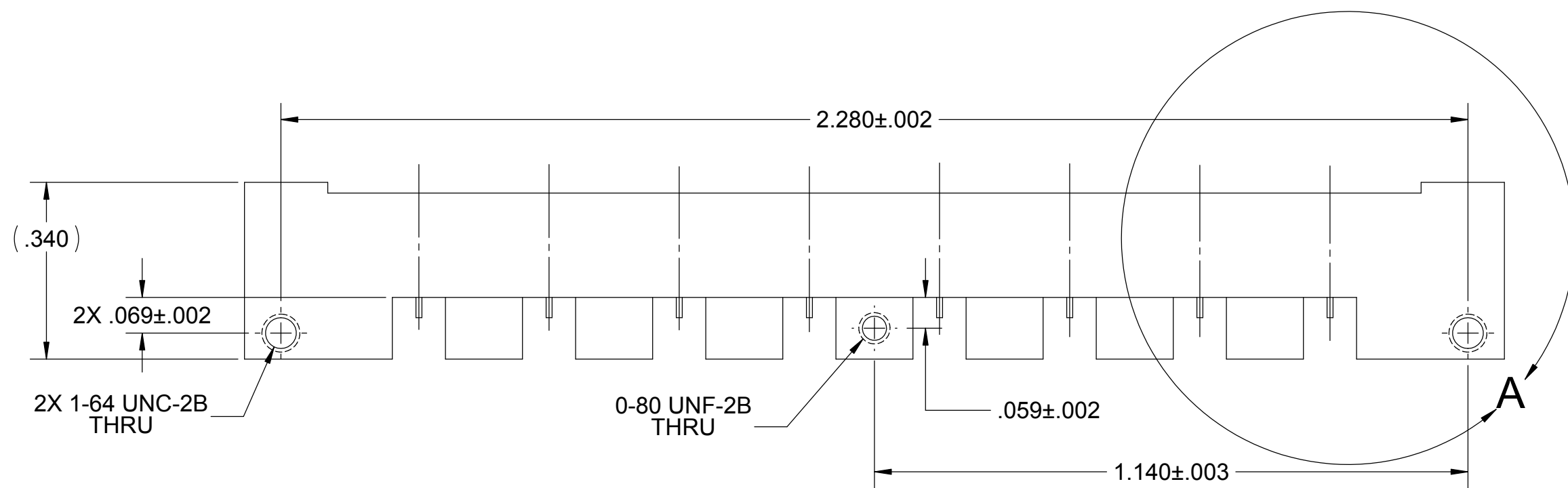
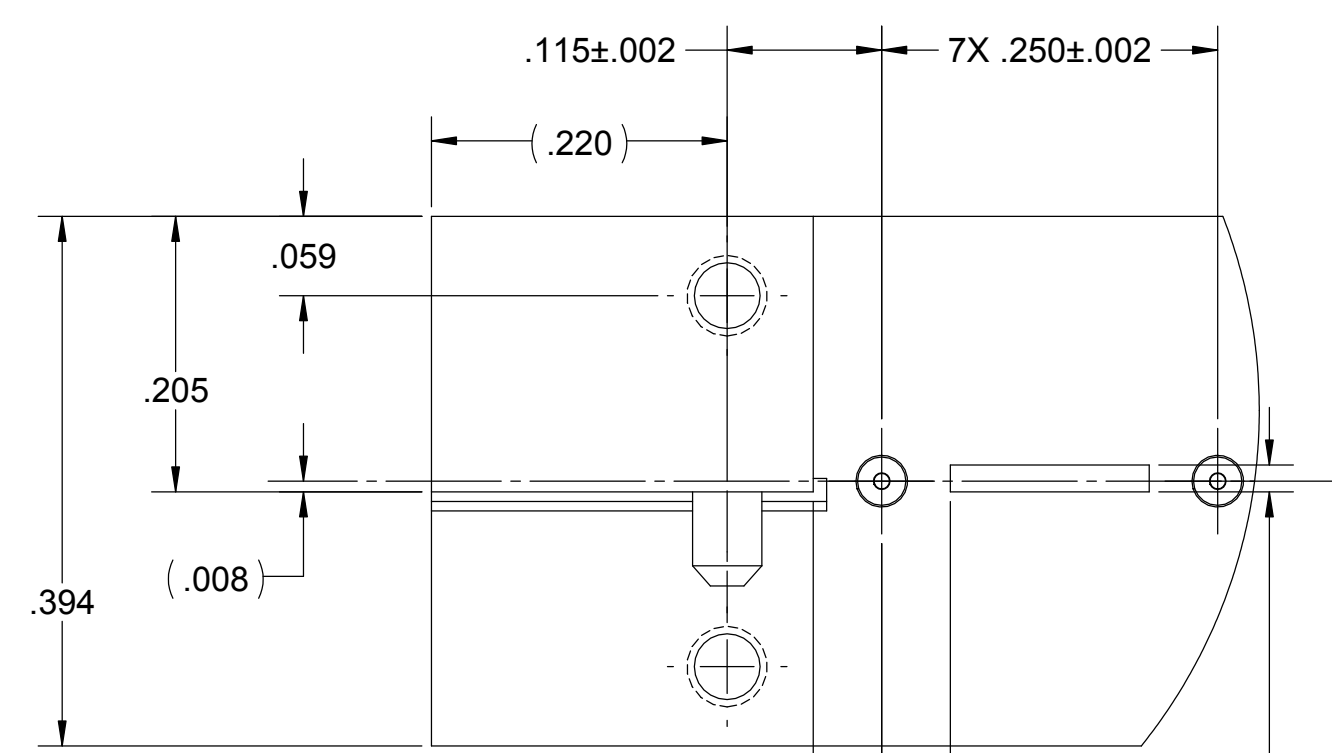
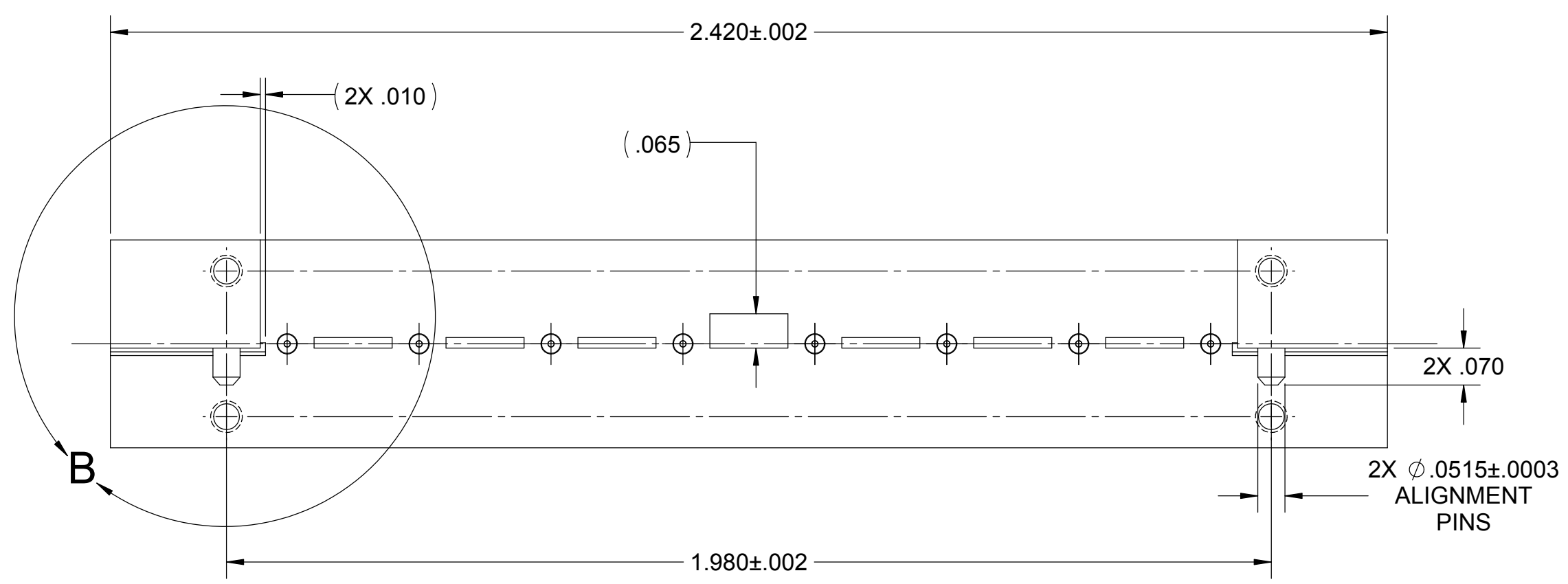


# PRODUCT DATA DRAWING

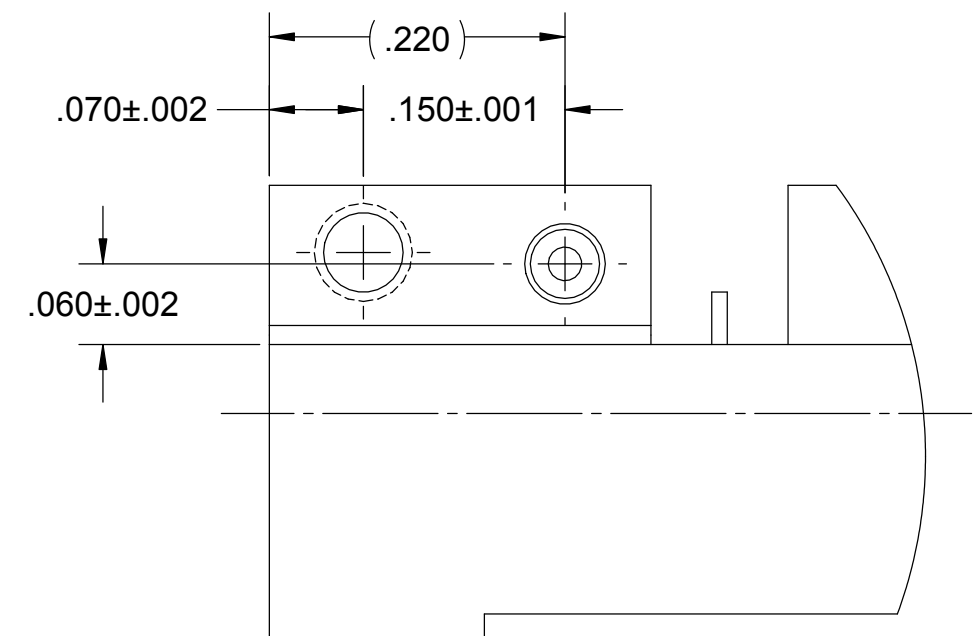
REVISION HISTORY			
REV.	DESCRIPTION	DATE	APPROVED
-	NRN 40630	05/16	STW



DETAIL A  
SCALE 7 : 1



DETAIL B  
SCALE 7 : 1



**MATERIAL:**  
 BODY & SHROUDS: STAINLESS STEEL PER AMS-5640, ALLOY UNS S30300, TYPE 1; OR ASTM A582 TYPE 303, COND. A  
 CONTACTS: BERYLLIUM COPPER PER ASTM B196, ALLOY No. UNS C17300, TD04  
 INSULATORS: PTFE PER ASTM D1710, TYPE I, GRADE 1, CLASS B

**FINISH:**  
 BODY, SHROUDS, & CONTACTS: GOLD PER ASTM B488, TYPE II, CODE C, CLASS 0.76, OVER NICKEL PER AMS-QQ-N-290, CLASS 1, .00010" MIN.

**PERFORMANCE:**  
 IMPEDANCE: 50 OHMS  
 FREQ. RANGE: DC TO 65 GHZ.

- NOTES:**
- CENTER PINS, POSTS, AND PCB MOUNT AREA TO BE PRE-TINNED USING Sn96 SOLDER..
  - ALL DIMENSIONS APPLY PRIOR TO PRE-TINNING.

MATERIAL: SEE NOTES  
 FINISH: SEE NOTES  
 DO NOT SCALE DRAWING  
**PROPRIETARY**  
 THE INFORMATION CONTAINED IN THIS DRAWING IS THE SOLE PROPERTY OF SV MICROWAVE, INC. ANY REPRODUCTION IN PART OR AS A WHOLE WITHOUT THE WRITTEN PERMISSION OF SV MICROWAVE, INC. IS PROHIBITED.

DIMENSIONS ARE IN INCHES  
 TOLERANCES:  
 ANGULAR:  $\pm 1^\circ$   
 ONE PLACE DECIMAL  $\pm .030$   
 TWO PLACE DECIMAL  $\pm .010$   
 THREE PLACE DECIMAL  $\pm .005$   
 INTERPRET DIMENSIONS AND TOLERANCES PER ASME Y14.5M - 1994

UNLESS OTHERWISE SPECIFIED:  
 1. ALL DIMENSIONS ARE AFTER PLATING.  
 2. BREAK CORNERS & EDGES R.005 MAX.  
 3. CHAMFER 1ST AND LAST THREAD.  
 4. SURFACE ROUGHNESS 63 PER MIL-STD-10.  
 5. DIA'S ON COMMON CENTERS TO BE CONCENTRIC WITHIN .005 T.I.R.  
 6. REMOVE ALL BURRS.

THIRD ANGLE PROJECTION

DRAWN: FED 05/26/16  
 CHECKED: STW 05/26/16  
 APPROVED: STW 05/26/16  
 E.M. SIMULATION:

**SV Microwave, Inc.**  
 2400 Centrepark West Drive, Suite 100  
 West Palm Beach, FL 33409

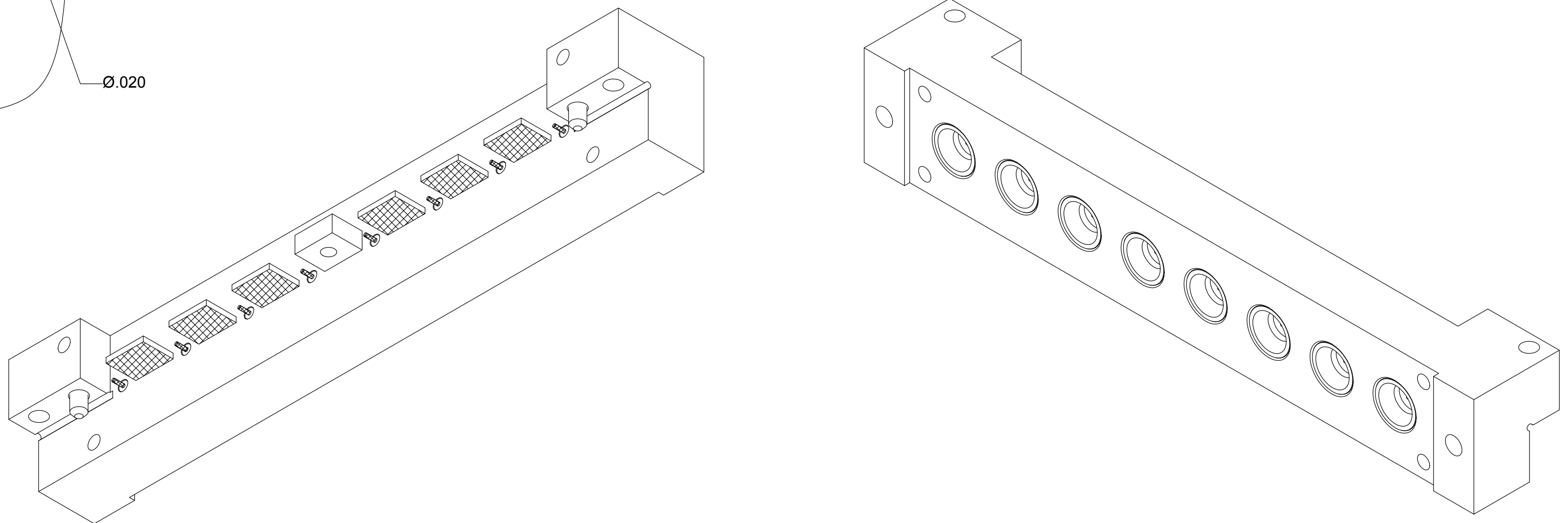
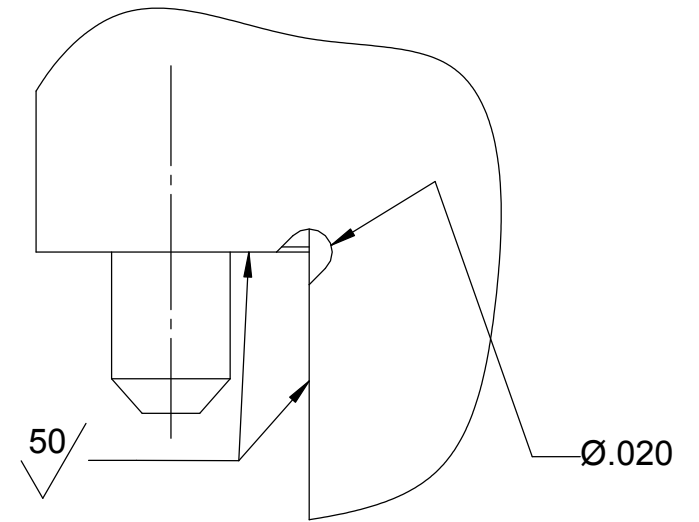
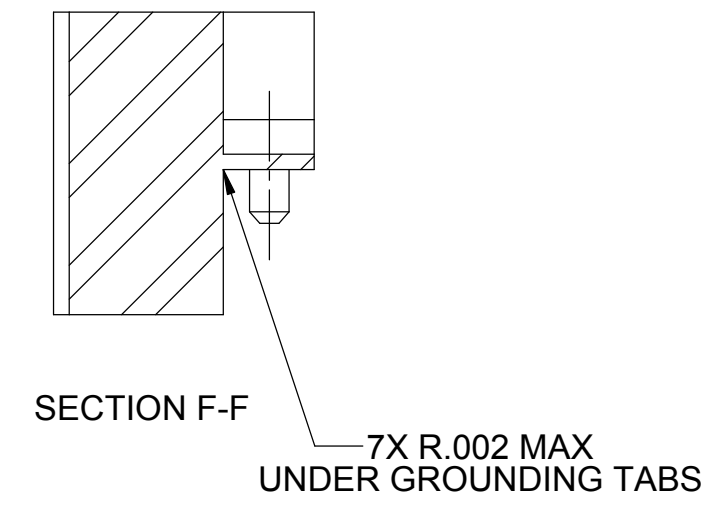
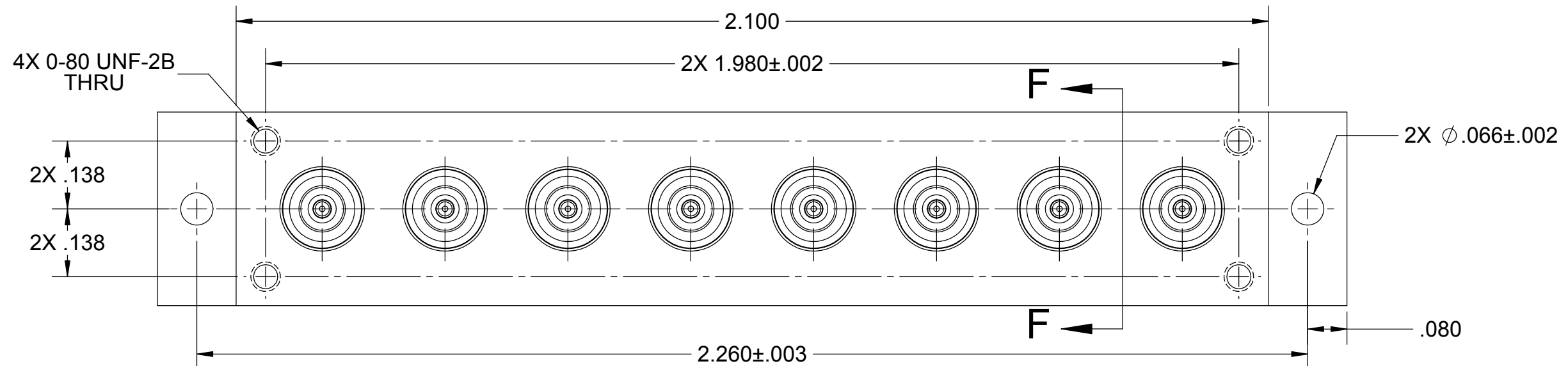
TITLE: **SMPM CM MALE 8-PORT EDGE LAUNCH**

SIZE: **C** CAGE CODE: **95077** DWG. NO.: **3211-60180**

SCALE: 4:1 SHEET 1 OF 2

# PRODUCT DATA DRAWING

REVISION HISTORY			
REV.	DESCRIPTION	DATE	APPROVED
	SEE SHEET 1		



MATERIAL: SEE NOTES

FINISH: SEE NOTES

DO NOT SCALE DRAWING

**PROPRIETARY**

THE INFORMATION CONTAINED IN THIS DRAWING IS THE SOLE PROPERTY OF SV MICROWAVE, INC. ANY REPRODUCTION IN PART OR AS A WHOLE WITHOUT THE WRITTEN PERMISSION OF SV MICROWAVE, INC. IS PROHIBITED.

DIMENSIONS ARE IN INCHES

TOLERANCES:

ANGULAR: ±1°

ONE PLACE DECIMAL ±.030

TWO PLACE DECIMAL ±.010

THREE PLACE DECIMAL ±.005

INTERPRET DIMENSIONS AND TOLERANCES PER ASME Y14.5M - 1994

THIRD ANGLE PROJECTION

UNLESS OTHERWISE SPECIFIED:

- ALL DIMENSIONS ARE AFTER PLATING.
- BREAK CORNERS & EDGES R.005 MAX.
- CHAMFER 1ST AND LAST THREAD.
- SURFACE ROUGHNESS 63 PER MIL-STD-10.
- DIA'S ON COMMON CENTERS TO BE CONCENTRIC WITHIN .005 T.I.R.
- REMOVE ALL BURRS.

DRAWN: FED 05/26/16

CHECKED: STW 05/26/16

APPROVED: STW 05/26/16

E.M. SIMULATION:

**SV Microwave, Inc.**<sup>®</sup>

2400 Centrepark West Drive, Suite 100  
West Palm Beach, FL 33409

TITLE: **SMPM CM MALE 8-PORT  
EDGE LAUNCH**

SIZE	CAGE CODE	DWG. NO.
C	95077	3211-60180

SCALE: 4:1

SHEET 2 OF 2