

# MATERIAL & SPECIFICATIONS

PART NO.	A54000-009	REV	ECO	DATE	APP
		H	104163	01-23-18	TLM

**HOUSING:**  
ALUMNIUM 6061, NICKEL PLATE  
(500 MICRINCHES MINIMUM)  
PER SAE-AMS-2404.

**INSULATOR:**  
THERMOPLASTIC PER MIL-DTL-  
32139.

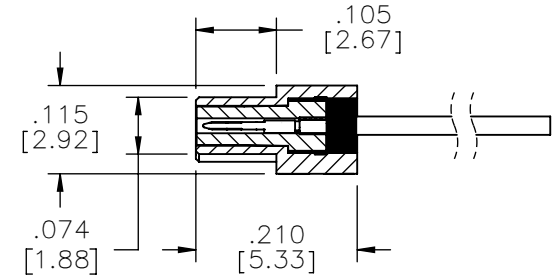
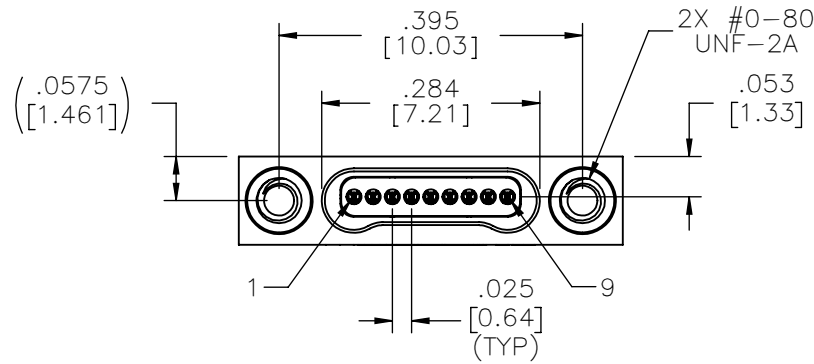
**CONTACT:**  
BERYLLIUM COPPER PER ASTM  
B194, C17200, GOLD PLATED  
PER ASTM B488, (HARD GOLD)  
TYPE II CODE C, CLASS 1.27.

**WIRE:**  
NEMA HP3 TYPE ET, COLOR  
CODED IAW MIL-STD-681,  
SYSTEM 1, USING TEN SOLID  
REPEATING COLORS.

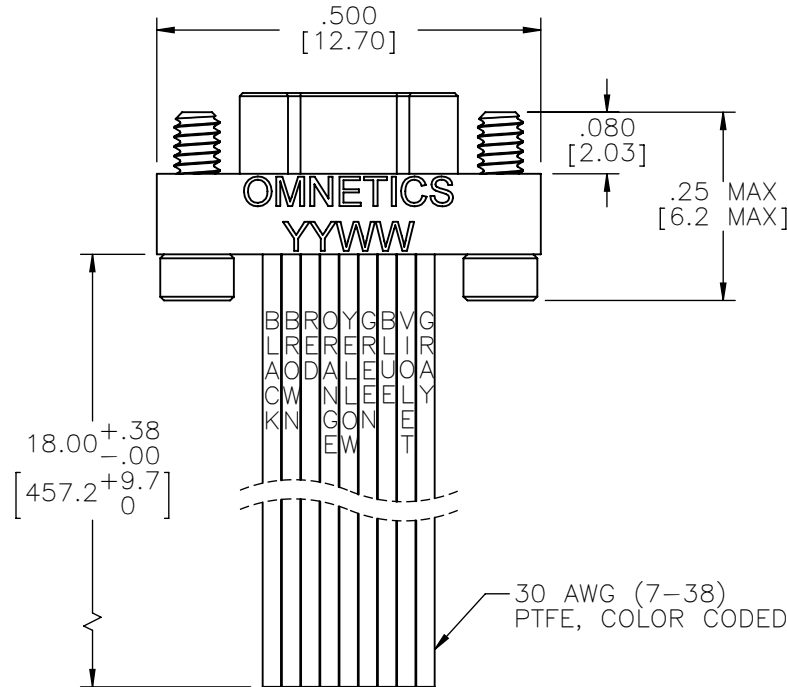
**HARDWARE:**  
303 STAINLESS STEEL PER ASTM  
A582.

**CURRENT RATING:**  
1 AMP MAX PER MIL-DTL-  
32139.

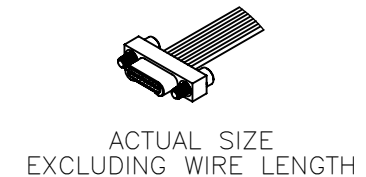
**PERFORMANCE:**  
PRODUCT FAMILY TESTED TO  
AND PASSED THE PERFORMANCE  
SPECIFICATIONS OF TABLE VIII  
OF MIL-DTL-32139.



VIEW LESS HARDWARE



PIN #	COLOR
1	BLACK
2	BROWN
3	RED
4	ORANGE
5	YELLOW
6	GREEN
7	BLUE
8	VIOLET
9	GRAY



**NOTE:**

DIMENSIONS IN [ ] ARE IN MILLIMETERS UNLESS OTHERWISE NOTED AND ARE FOR REFERENCE ONLY

MBPS	THIRD ANGLE
	-TOLERANCES-
SLDW	UNLESS OTHERWISE NOTED
	DIMENSIONS IN INCHES
	2 PL DEC ± .01
	3 PL DEC ± .005
	4 PL DEC ± .0005
	ANGLES ± 1°

THIS DRAWING CONTAINS CONFIDENTIAL AND PROPRIETARY INFORMATION WHICH IS THE PROPERTY OF OMNETICS CONNECTOR CORP. THIS DOCUMENT MAY NOT, IN WHOLE OR IN PART, BE DUPLICATED, OR DISCLOSED FOR ANY PURPOSE, WITHOUT WRITTEN PERMISSION FROM OMNETICS CONNECTOR CORP.	
DFTM. MJM	DATE 03-31-11
CHK'D.	DATE
APP'D.	DATE
TITLE: (9) PIN MALE Bi-Lobe® CONNECTOR	

**OMNETICS**  
CONNECTOR CORPORATION  
7260 COMMERCE CIRCLE EAST  
MINNEAPOLIS, MN 55432  
WWW.OMNETICS.COM

CAGE CODE 61873	
DWG NO. A54000-009	
SHEET 1 OF 1	REV H
SCALE: 4:1	