

7312P022XA13LF

DESCRIPTION

Connector especially designed for SMT technology
EMV compatible and in accordance with ISO 7816-2

MECHANICAL

Contacts force : between 0.2N-0.5N
Insertion force : 10 N max
Extraction force : 1 N min

ELECTRICAL

Insulation resistance : 1000MOhms
Dielectric withstand voltage between card contacts and detection switch : 1000 Vrms
contact resistance:100 miliohms
Current carrying : min 10 micro A max 1A

SWITCH

Contact closed : contact resistance 100mOhms
Open contact : voltage proof 300Vms

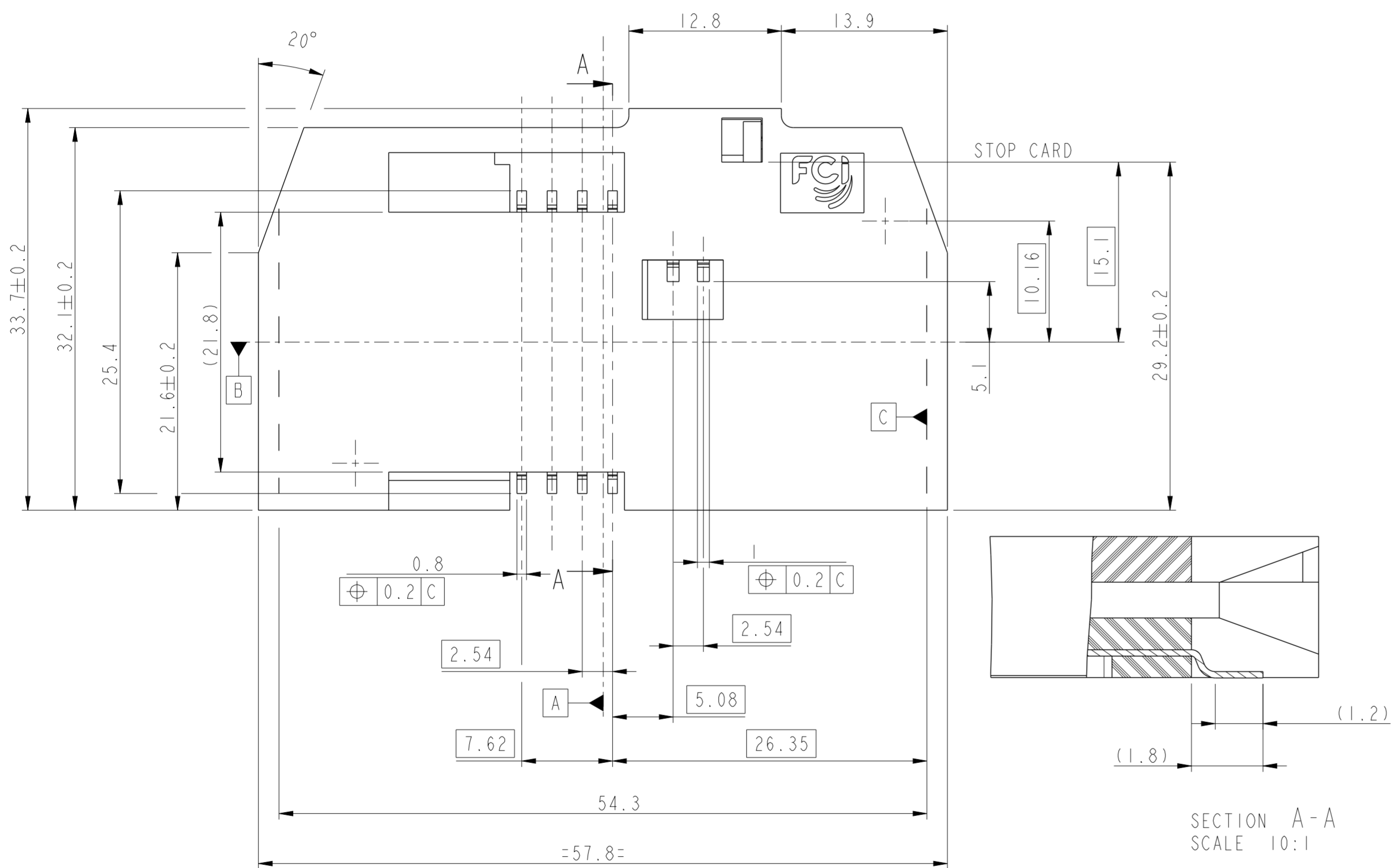
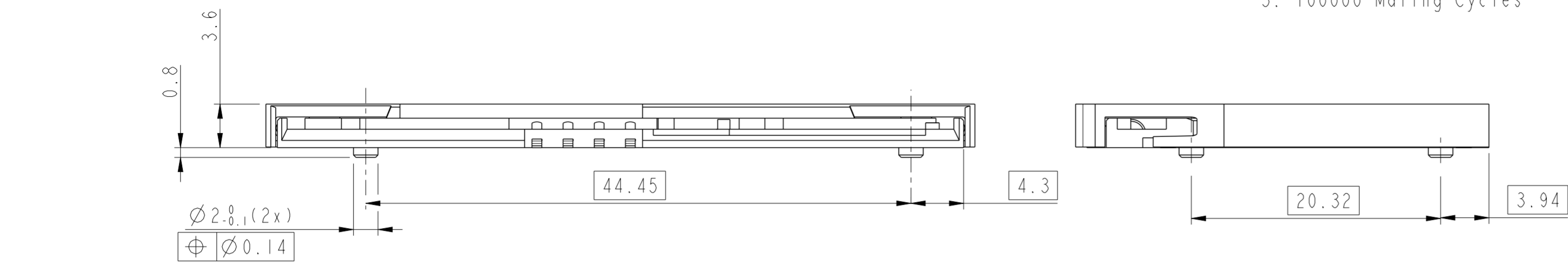
MATERIAL

Contacts : copper alloy
Cover :
Color for LF part : Natural
Plating : Gold / Equivalent PdNi over Nickel on contact area
Solder falls : Sn bare edge allowed
Housing : self extinguishing, Thermoplastic
UL94-V0 rated

ENVIRONMENT

Storage temperature : -40°C, +85°C
Operating temperature : -20°C, +70°C
Packaging : Tray
Compatible reflow soldering process

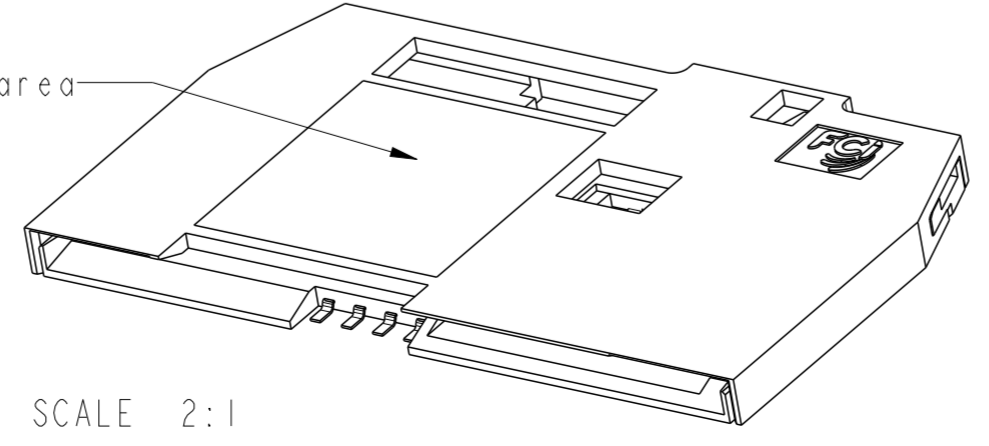
Durability
3: 50000 Mating Cycles
5: 100000 Mating Cycles



NOTE: RoHS INFORMATIONS

- The "LF" products meet European Union Directives and other country regulations as described in GS-22-008.
- The housing will withstand exposure to 260°C peak temperature for 30 seconds in a convection, infra-red or vapor reflow oven. See Application notes/procedures, if they are available.
- Packaging spec: see gs-14-920

SECTION A-A
SCALE 10:1



SCALE 2:1

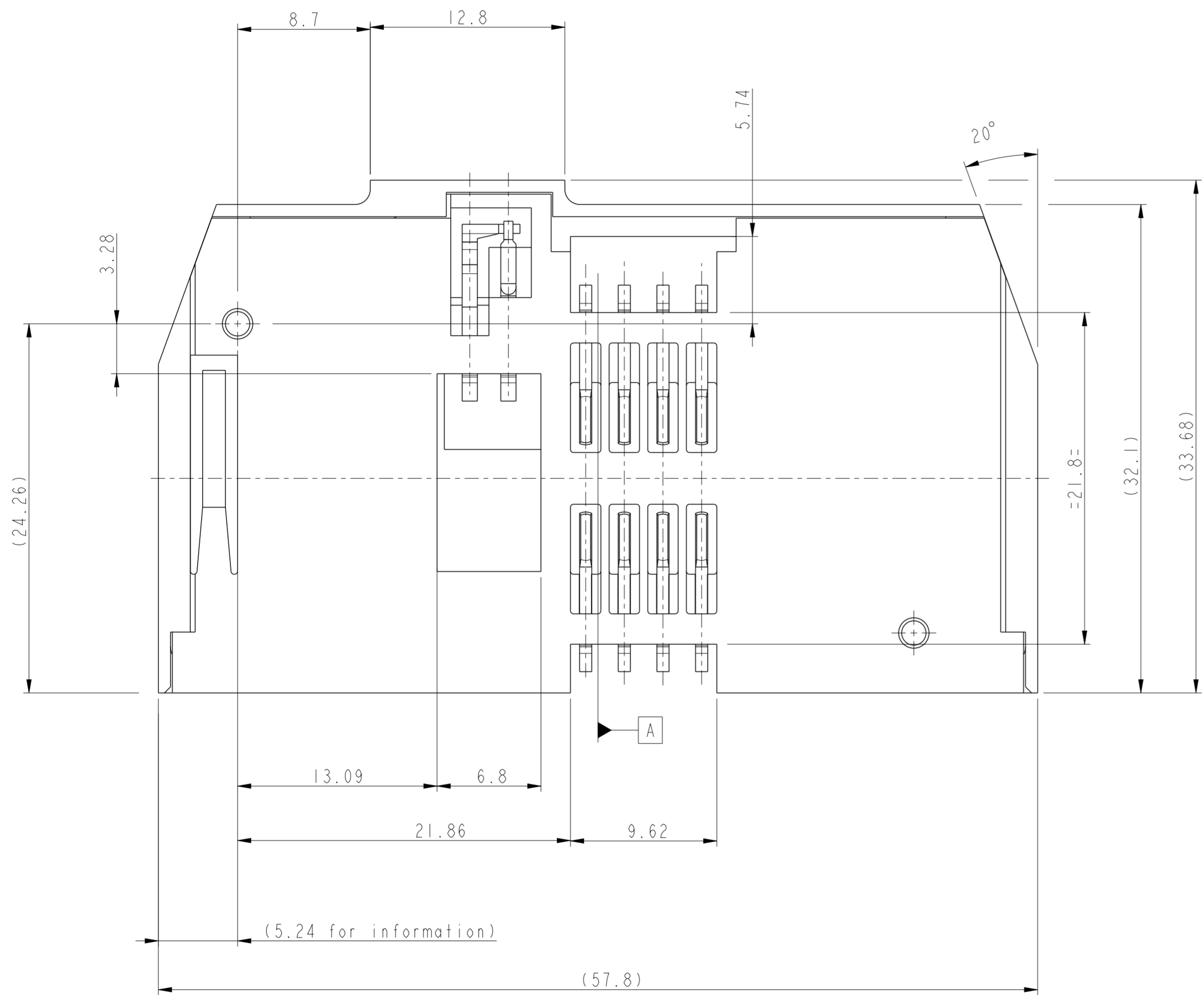
LEAD FREE CATALOGUE NUMBER
7712P0225A25LF
7312P0223A13LF
7312P0225A13LF

www.fciconnect.com		surface -- ✓	tolerance std	projection	mm
		ISO 1302	ISO 406 ISO 1101		
TOLERANCES UNLESS OTHERWISE SPECIFIED					
Dr	LEGRAND	1996/08/26	ANGULAR	0.x	±0.3
Eng	TISSERAND	1996/08/26	LINEAR	0.xx	±0.1
Chr	SARUNCHERIAN	2007/02/26	0° ±2°	0.xxx	±0.05
Appr	K V SIVADAS	2007/02/26	Product family	MOBILE I/O	Spec ref
E LS05-0059 HLE 2005/06/30			F LS06-0139 PCR 2006/09/08		G LS06-0206 HLE 2006/12/12
H 107-0137 PKR 2007/10/11			chip card connector		VJW53666
TYPE : P02 (8cts with cover)			catalog no		SEE NOTES
CUSTOMER			sheet 1 of 3		Rev. K

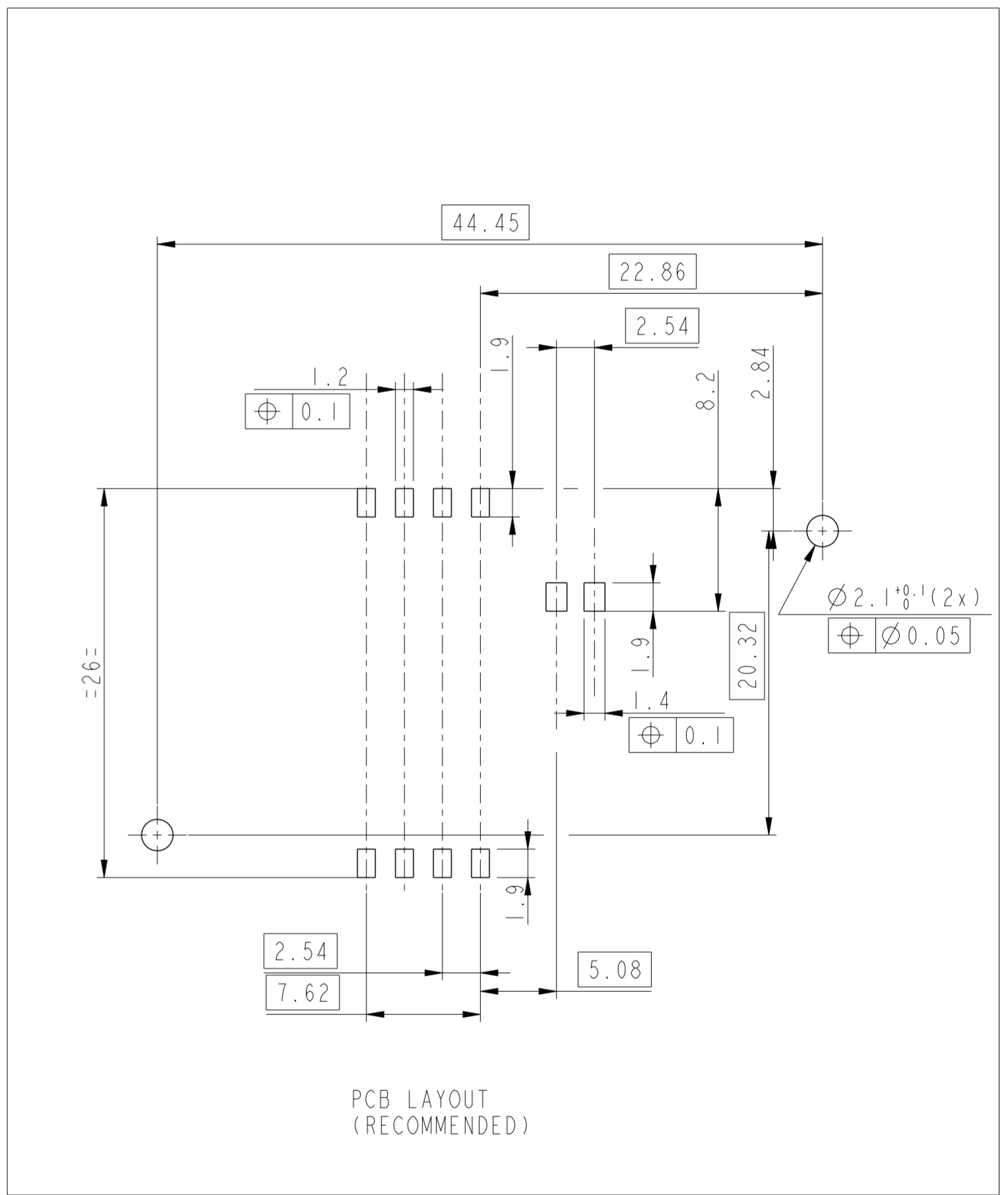
ltr	ecn no	dr	date
J	109-0239	RPK	2009/10/26
K	109-0272	RPK	2009/12/01

Copyright FCI.

LEAD FREE CATALOGUE NUMBER
7712P0225A25LF
7312P0223A13LF 7312P0225A13LF



LAYOUT FOR KEEP OUT ZONE
(CONNECTOR SIDE)



PCB LAYOUT
(RECOMMENDED)

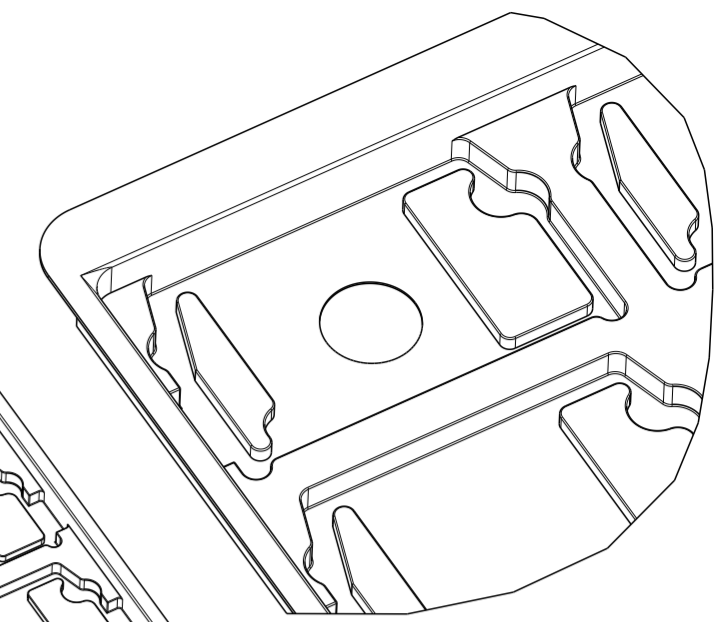
www.fciconnect.com		surface -- ✓	tolerance std ISO 1302	ISO 406	ISO 1101	projection	mm
		TOLERANCES UNLESS OTHERWISE SPECIFIED					
Dr	LEGRAND	1996/08/26	ANGULAR	0.X	±0.3	size	Scale
Eng	TISSERAND	1996/08/26	LINEAR	0.XX	±0.1	A2	4:1
Chr	SARUNCHERIAN	2007/02/26	0° ±2°	0.XXX	±0.05	ECN	109-0272
Appr	K V SIVADAS	2007/02/26	Product family	MOBILE I/O		Spec ref	--
		TITLE CHIP CARD CONNECTOR			dwg no	VJW53666	
		TYPE : P02 (8cts with cover)			Rev.	K	
		catalog no			SEE NOTES	CUSTOMER	sheet 2 of 3



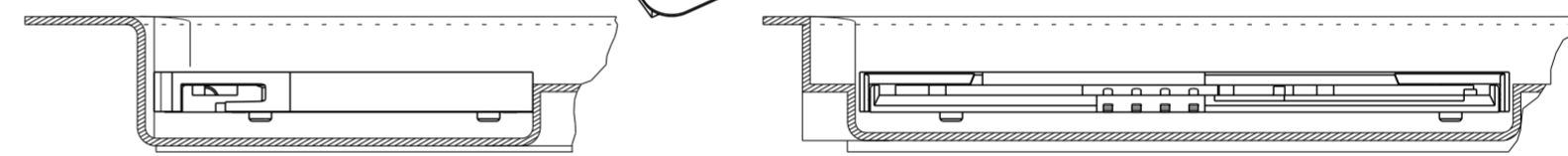
Copyright FCJ.

7712P0225A25LF FOR PICK AND PLACE VERSION

SEE DETAIL A

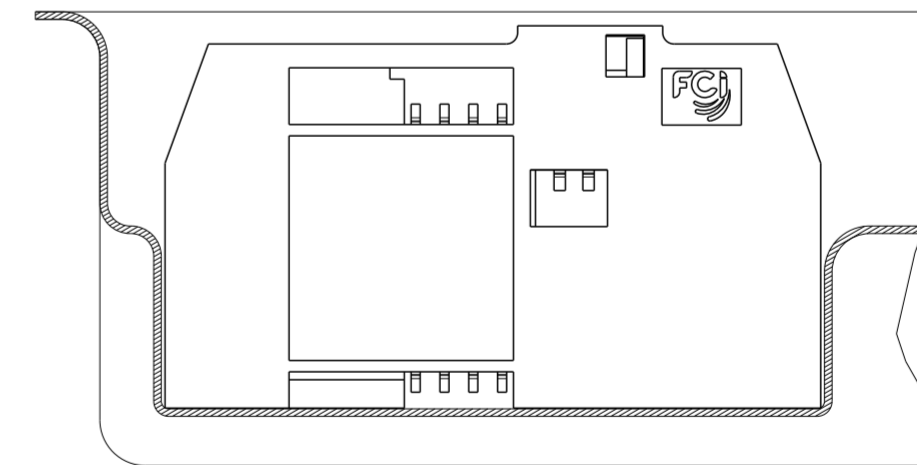
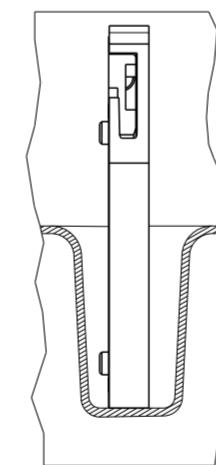


DETAIL A
SCALE 1:1



HORIZONTAL PLACEMENT

7312P0223A13LF
7312P0225A13LF STANDARD VERSION



VERTICAL PLACEMENT

PACKAGING

P / N	Quantity by Tray	Trays Material Detail
7712P0225A25LF	25 Horizontal Placement	Antistatic
7312P0223A13LF 7312P0225A13LF	100 Vertical Placement	No Antistatic

www.fciconnect.com		surface -- ✓	tolerance std ISO 1302 ISO 406 ISO 1101	projection	mm
		TOLERANCES UNLESS OTHERWISE SPECIFIED			
Dr	LEGRAND	1996/08/26	ANGULAR	0.X	±0.3
Eng	TISSERAND	1996/08/26	LINEAR	0.XX	±0.1
Chr	SARUNCHERIAN	2007/02/26	0° ±2°	0.XXX	±0.05
Appr	K V SIVADAS	2007/02/26	Product family	MOBILE I/O	Spec ref
FCJ			title CHIP CARD CONNECTOR		Rev. K
			TYPE : P02 (8cts with cover)		diag no VJW53666
			catalog no		SEE NOTES
			CUSTOMER		sheet 3 of 3

Copyright FCJ. FCJ