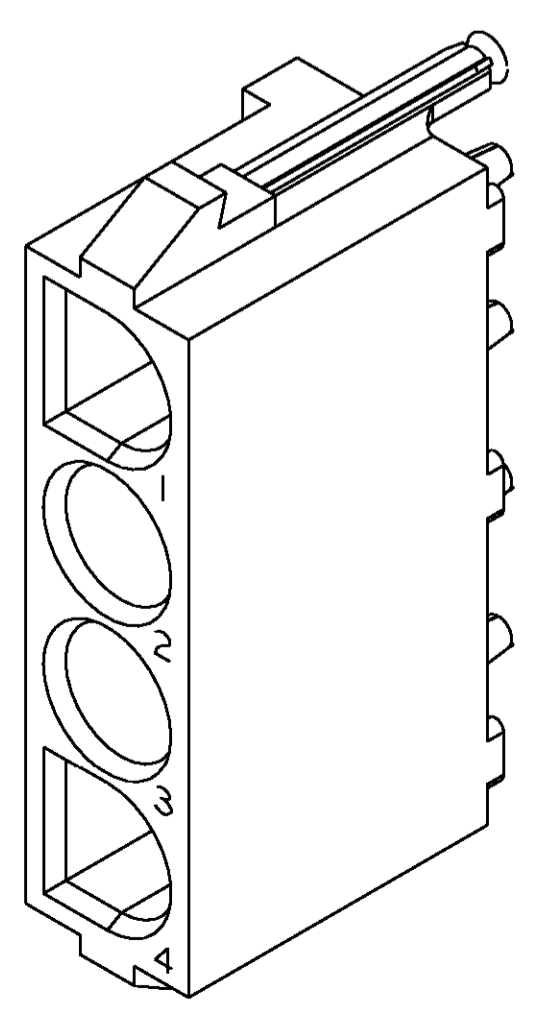
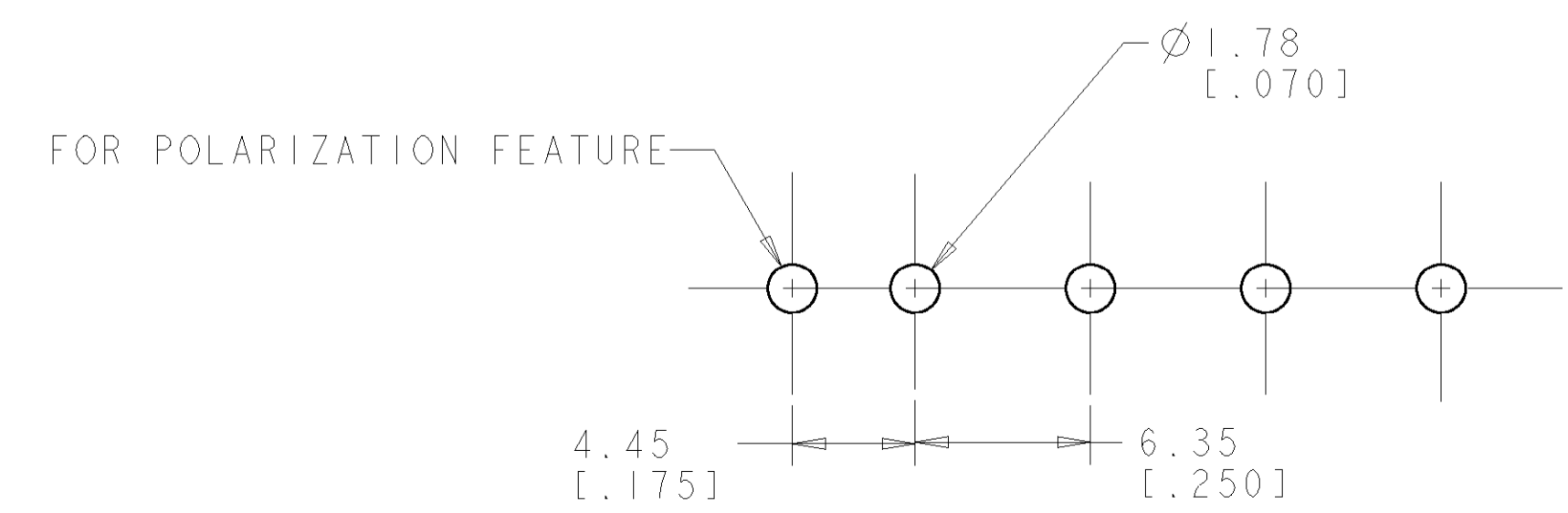
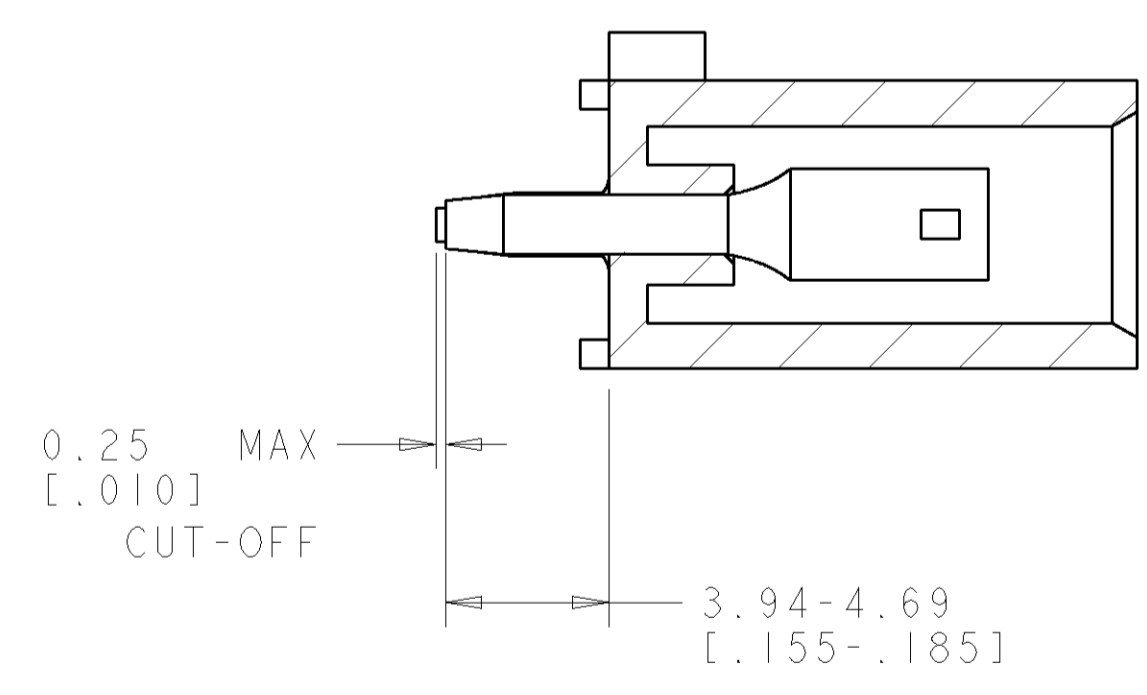
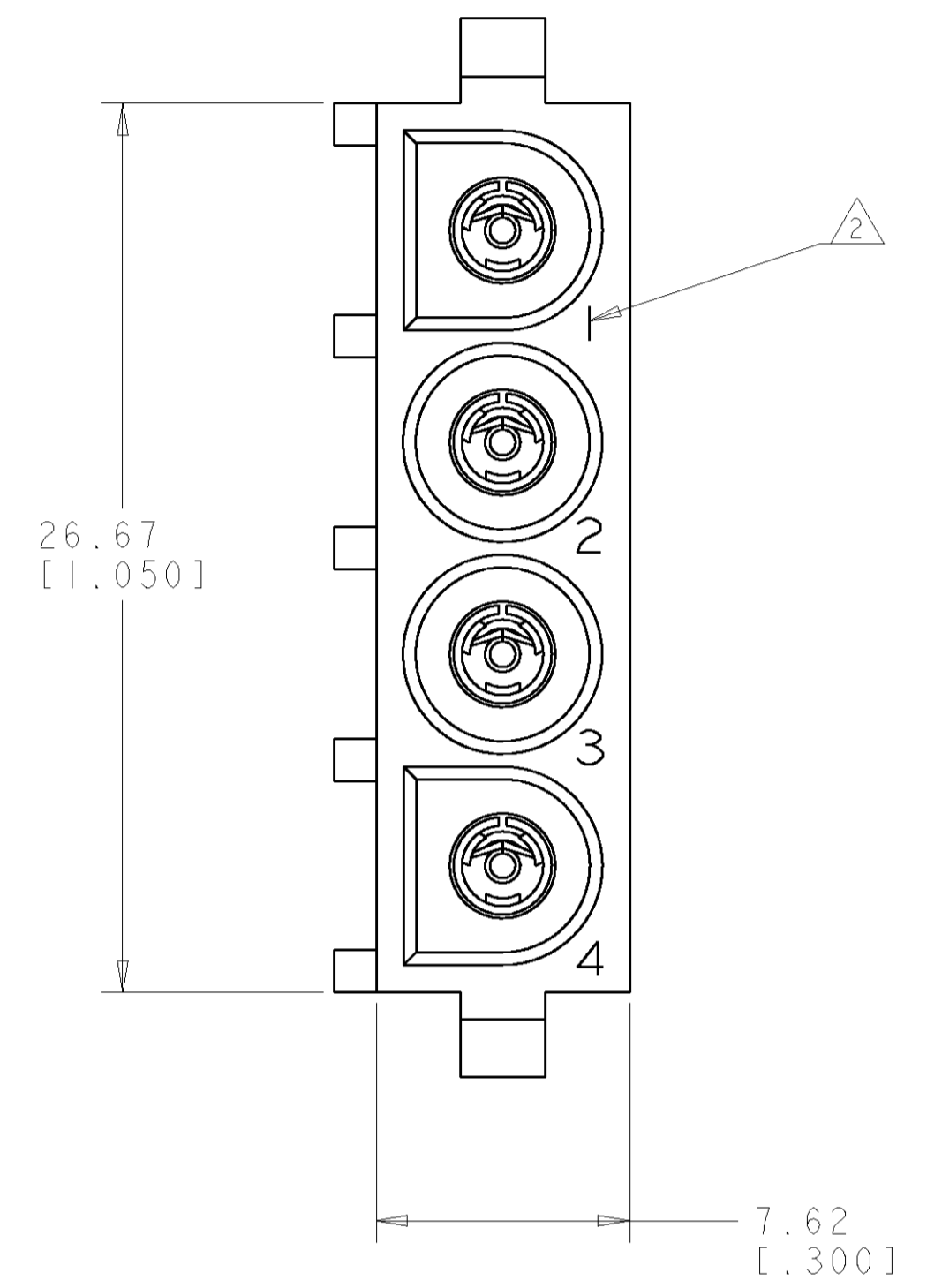
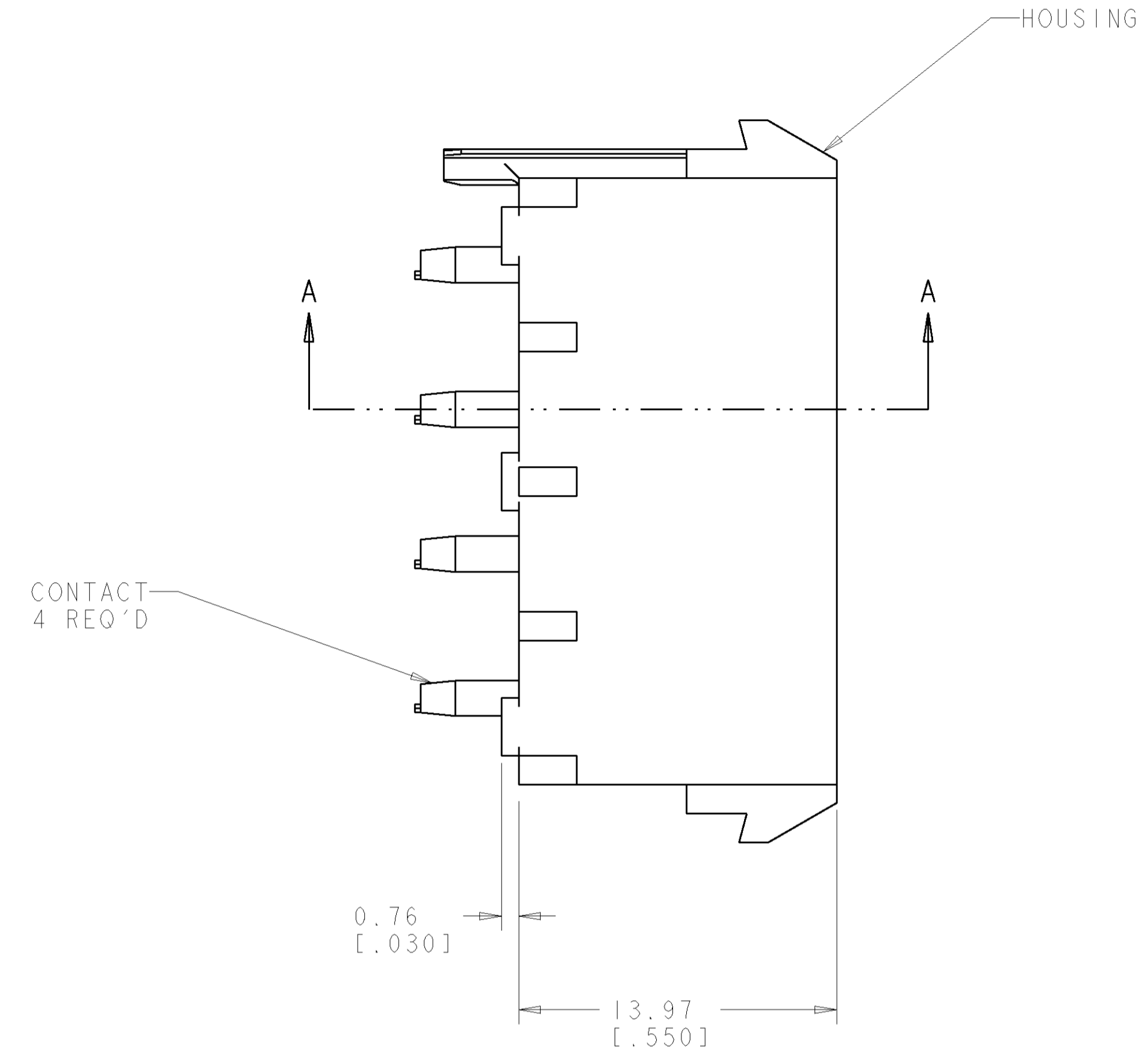
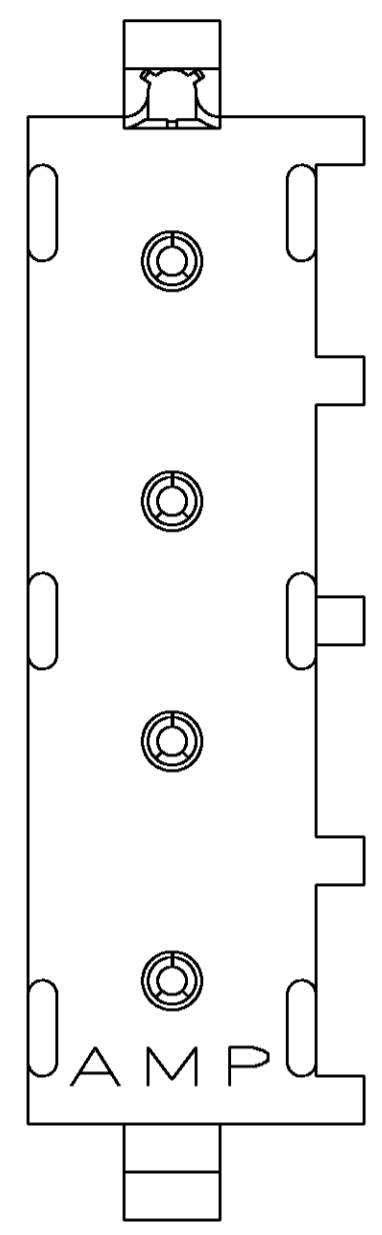


LOC		DIST		REVISIONS			
CM	00	P	LTR	DESCRIPTION	DATE	DWN	APVD
		0		REVISED PER 0638-0439-03	22-NOV-03	KW	SR

- PARTS COMPLY TO AMP SOLDERABILITY SPECIFICATION 109-11-3.
- CIRCUIT IDENTIFICATION CHARACTERS ARE ADJACENT TO THE INDICATED CAVITIES, BUT LOCATION AND ORIENTATION MAY DIFFER FROM PRINT.
- DIMENSIONS IN BRACKETS ARE IN INCHES.



3 DIMENSIONAL MODEL
SCALE 4:1

PHOSPOR BRONZE, PRE-TIN CONTACT MATERIAL AND FINISH		NYLON, UL94V-0, WHITE HOUSING MATERIAL AND COLOR		1586249-1 PART NUMBER
<small>THE DIMENSIONS IN BRACKETS INDICATE THE TOLERANCES TO WHICH THE DIMENSIONS ARE TO BE HELD UNLESS OTHERWISE SPECIFIED. CONTACT THE SUPPLIER FOR THE CORRECT TOLERANCE.</small>		DWN R. WHITAKER 22-NOV-03	Tyco Electronics Harrisburg, PA 17105-3608	
DIMENSIONS: mm [INCHES]		CHK S. RIDGILL 22-NOV-03	NAME SOCKET HEADER ASSEMBLY, POLARIZED, 4 CIRCUIT, W/O DRAIN HOLES, UNIVERSAL MATE-N-LOK™	
TOLERANCES UNLESS OTHERWISE SPECIFIED: 0 PLC ± 1 PLC ± 2 PLC ±0.13(.005) 3 PLC ± 4 PLC ± ANGLES ±40° 30'		APVD S. RIDGILL 22-NOV-03	PRODUCT SPEC	
MATERIAL SEE TABLE		FINISH SEE TABLE	APPLICATION SPEC	RESTRICTED TO
CUSTOMER DRAWING		WEIGHT	SIZE A 00779	DRAWING NO C=1586249
SCALE 5:1		SHEET 1	OF 1	REV 0

