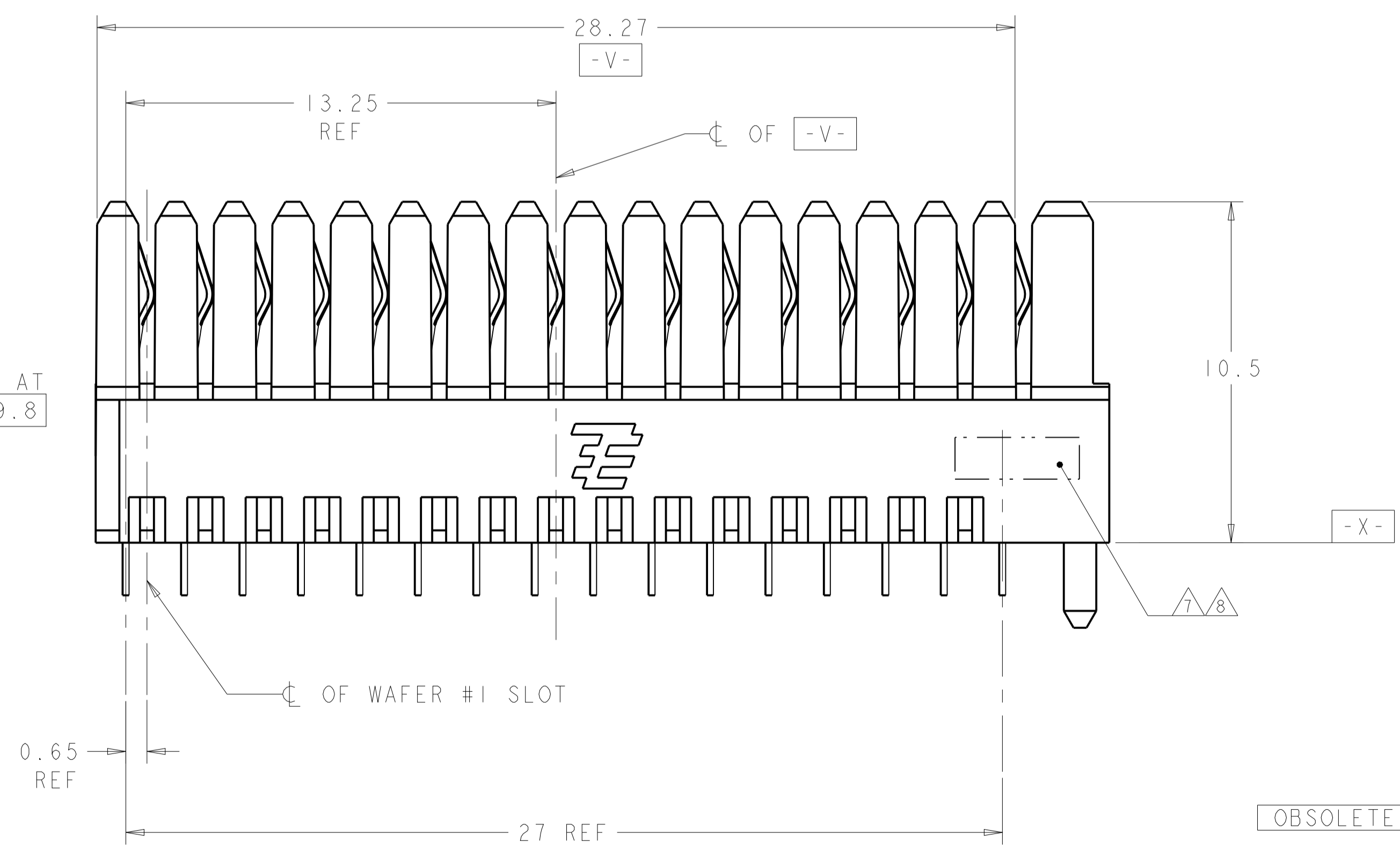
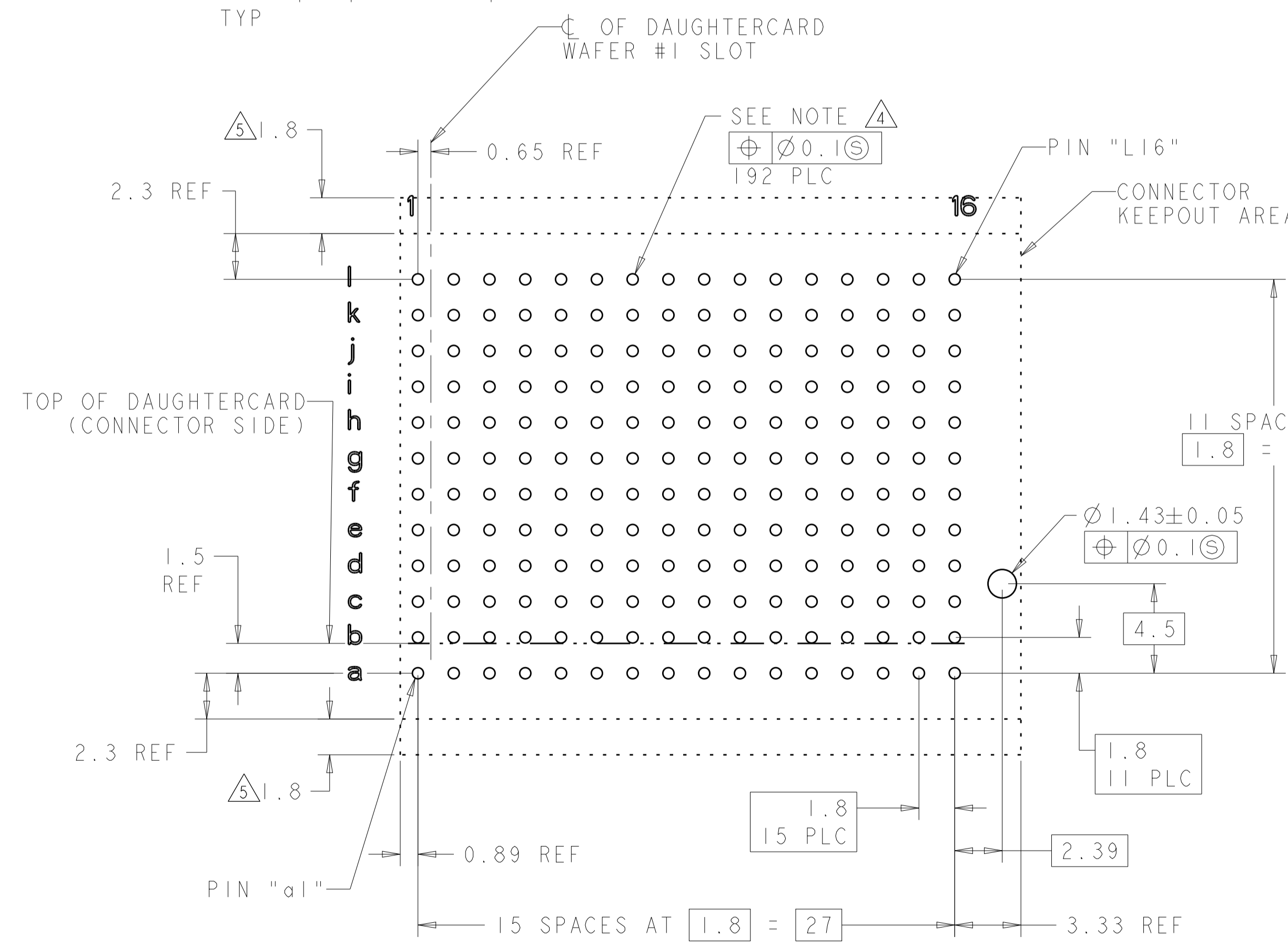
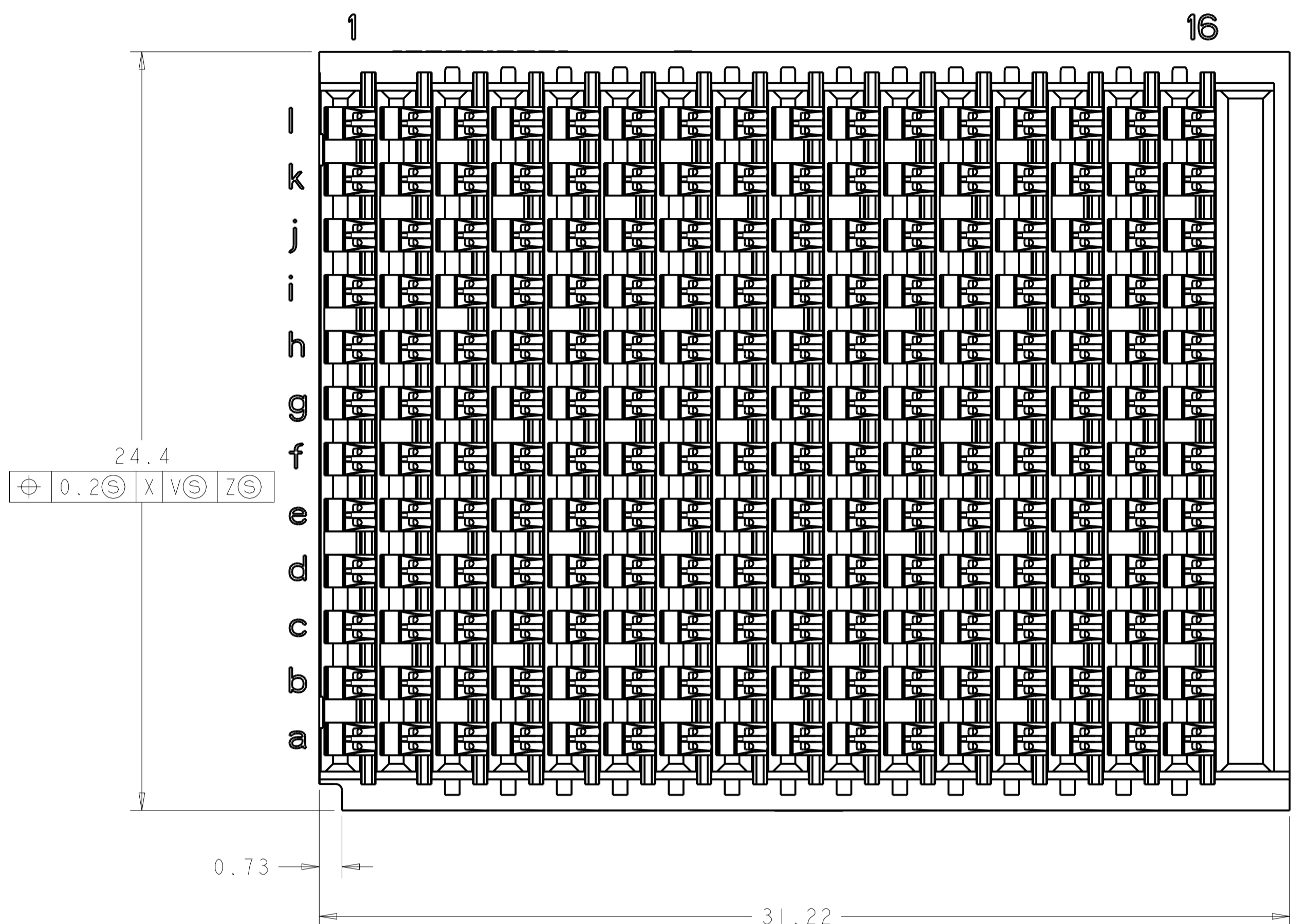
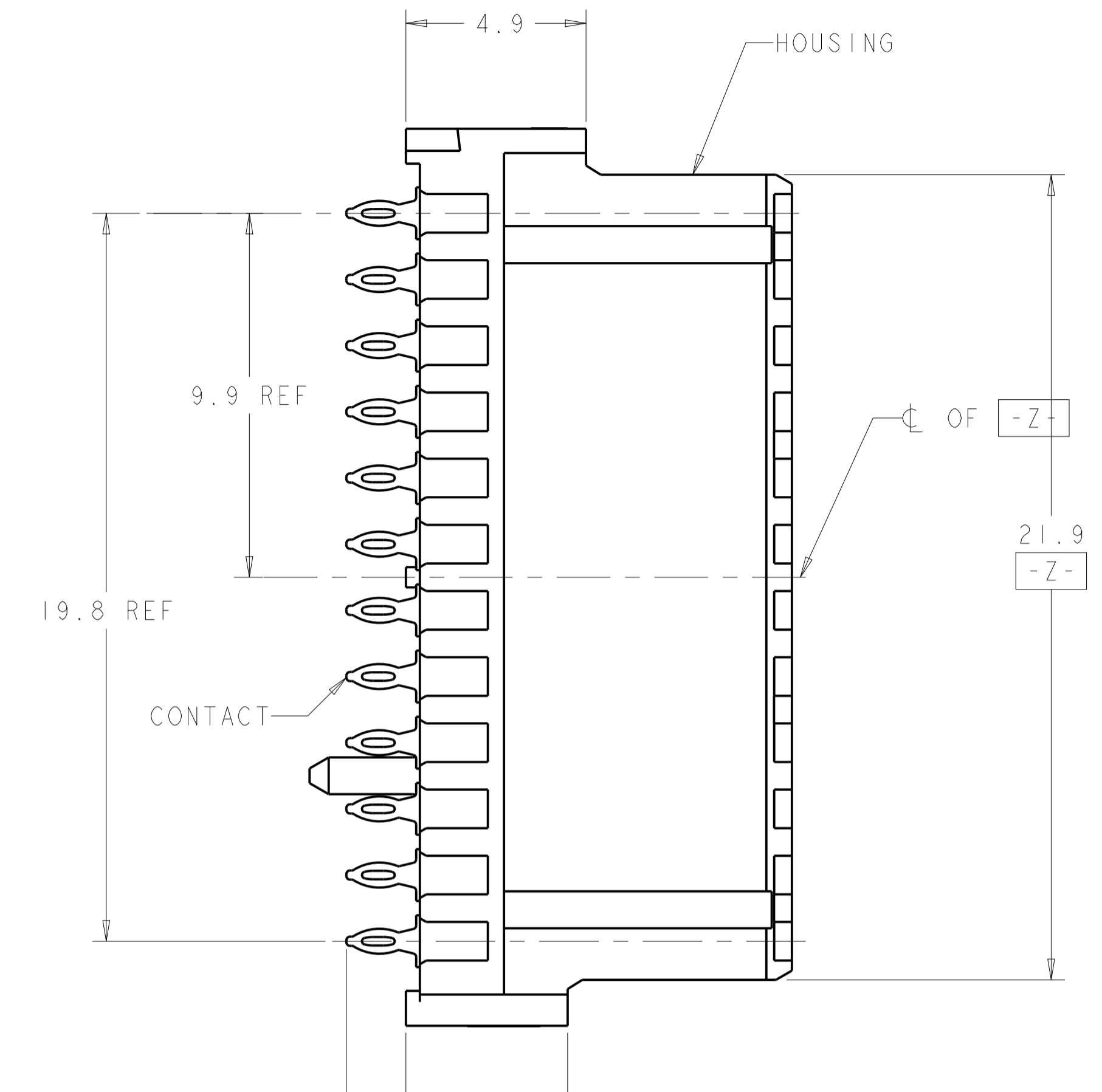


LOC	DIST	REV	DATE	BY	CHKD	APVD
GP	00	F	7-16-14	CT	DH	



- △ HOUSING: LCP, UL94V0, COLOR: BLACK. CONTACT: PHOSPHOR BRONZE.
- △ FINISH: 1.27µm GOLD IN CONTACT AREA 1.27µm MIN TIN-LEAD ON PCB TAIL OVER 3.81µm MIN NICKEL OVER ALL.
- △ FINISH: 1.27µm GOLD IN CONTACT AREA 1.27µm MIN TIN ON PCB TAIL OVER 3.81µm MIN NICKEL OVER ALL.
- △ MANUFACTURING TOLERANCE FOR:
 - Ø 0.56±0.05 FINISHED HOLE WITH Sn PB PLATING:
 - DRILLED HOLE = Ø 0.65±0.02
 - COPPER PLATING = 0.025-0.050
 - Sn PB PLATING = 0.0038-0.0124
 - OR
 - Ø 0.575±0.050 FINISHED HOLE WITHOUT Sn PB PLATING:
 - DRILLED HOLE = Ø 0.65±0.02
 - COPPER PLATING = 0.025-0.050
- △ ADDITIONAL CONNECTOR SIDE KEEPOUT AREA REQUIRED IF CONNECTOR SIDE EXTRACTION TOOL IS TO BE USED.
- △ OBSOLETE PARTS: OBSOLETE CIS STREAMLINING PER D.RENAUD/D.SINISI
- △ TE PART NO AND DATE CODE MARKED IN THIS AREA, EITHER SIDE

PC BOARD LAYOUT (CONNECTOR SIDE) SCALE 5:1

OBSOLETE	REMARKS	PLATING	PART NO
			1410128-2
			1410128-1

THIS DRAWING IS A CONTROLLED DOCUMENT.

OWN: R. IRENA 27FEB2002

CHK: J. CONSOLI 27FEB2002

APVD: J. CONSOLI 27FEB2002

PRODUCT SPEC: 108-2072

APPLICATION SPEC: 114-13056

SIZE: 114-13056

WEIGHT: -

CUSTOMER DRAWING

SCALE: 8:1

SHEET: 1 OF 1

REV: F

TE Connectivity

CONNECTOR ASSEMBLY, BACKPLANE VERTICAL RECEPTACLE, RIGHT END, 25.4mm, MultiGig RT 2

RESTRICTED TO: A100779C=1410128