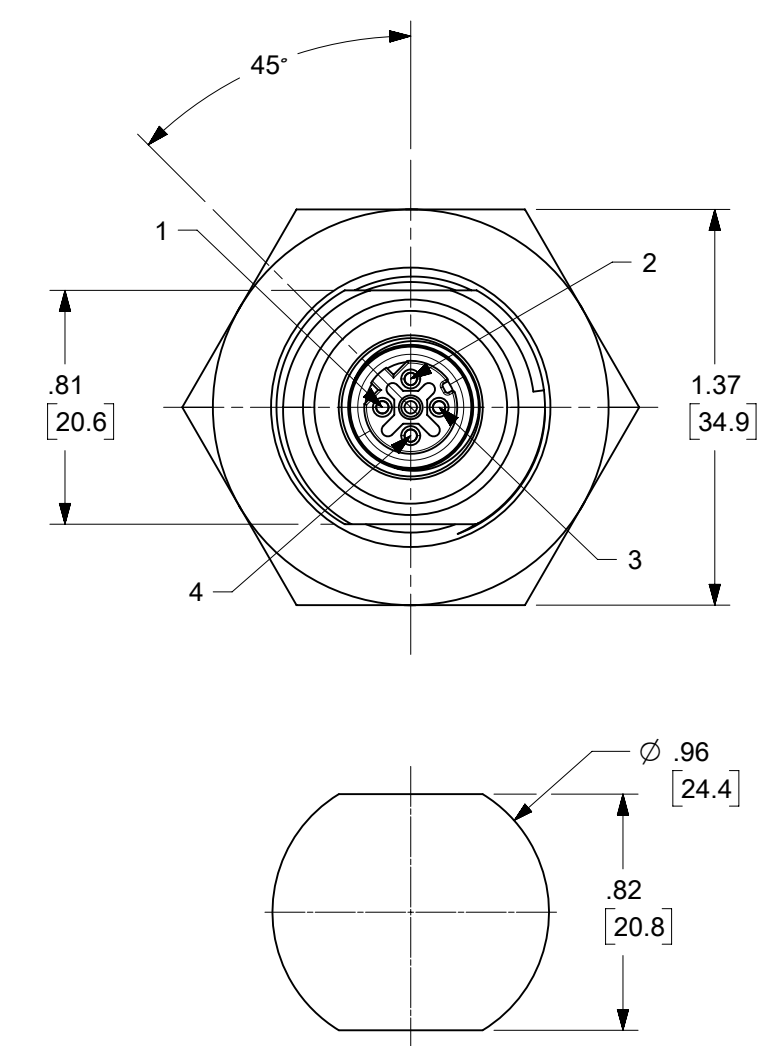
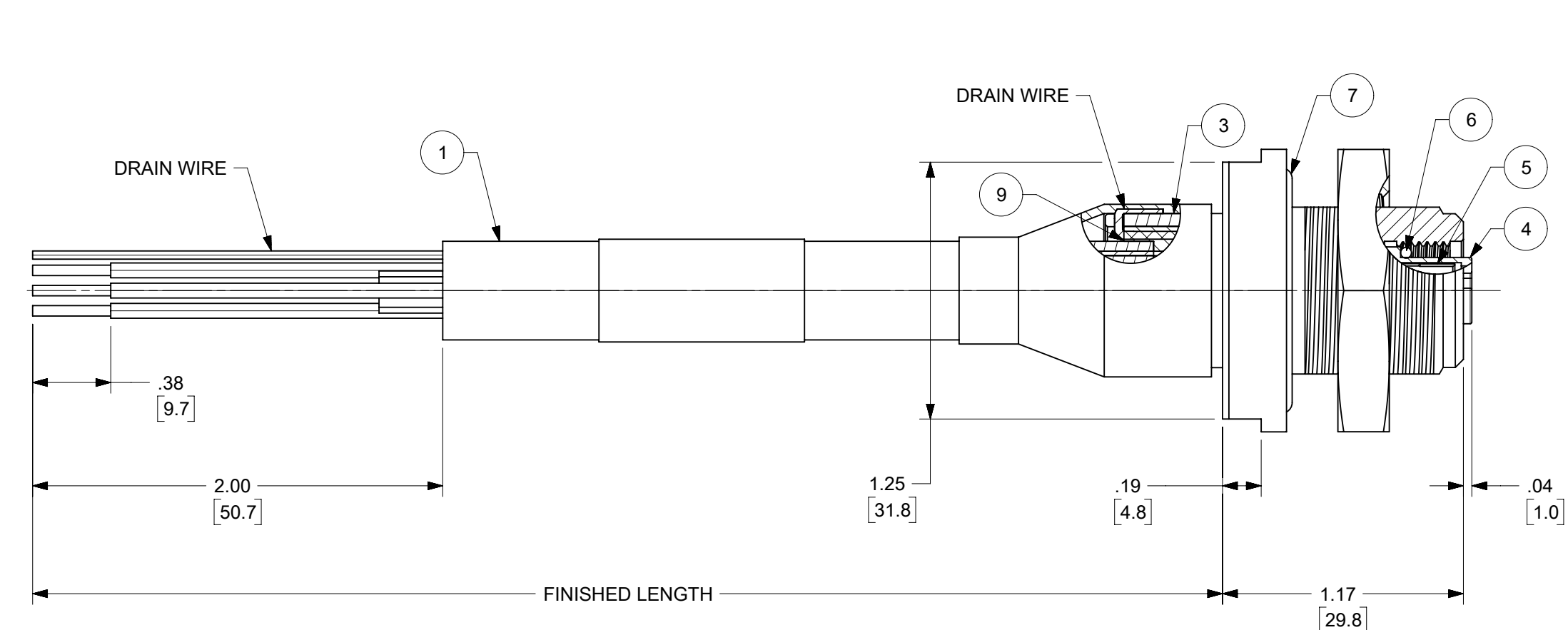
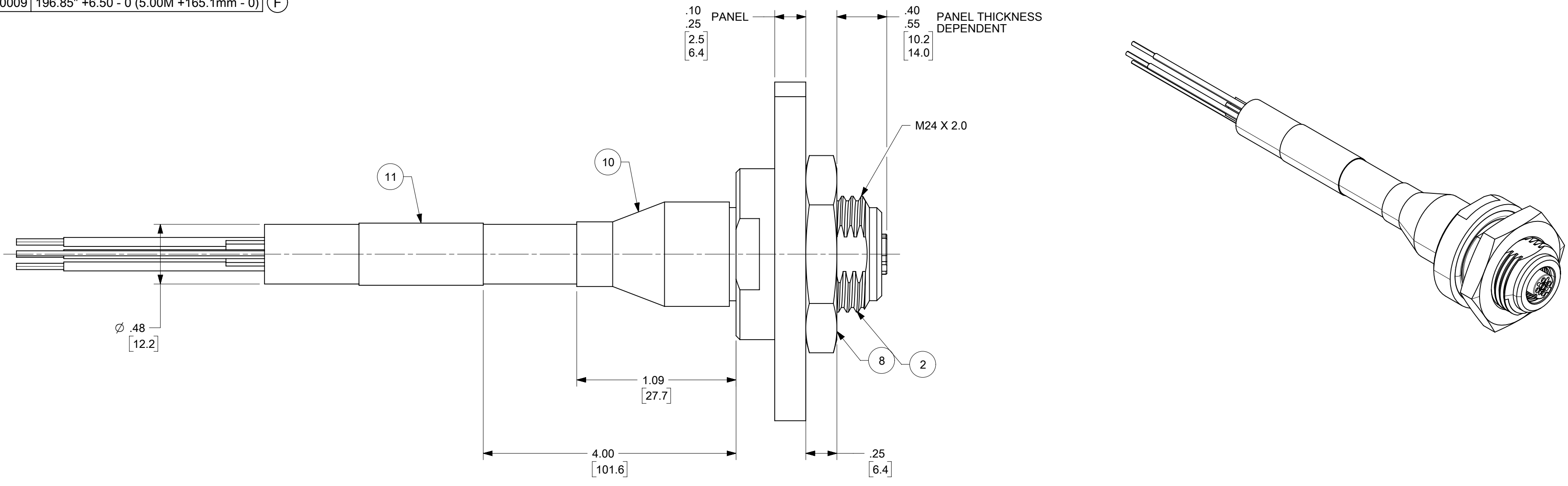


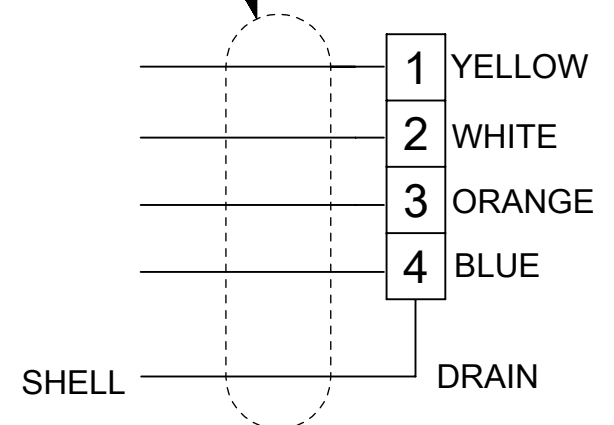
MATERIAL NO.	ENGR. NO.	FINISHED LENGTH
1303030001	130303-0001	39.37" +2.19 - 0 (1.00M +55.6mm - 0)
1303030002	130303-0002	78.74" +3.50 - 0 (2.00M +88.9mm - 0)
1303030009	130303-0009	196.85" +6.50 - 0 (5.00M +165.1mm - 0) (F)



RECOMMENDED PANEL MOUNT THRU HOLE

- NOTES:
1. ASSEMBLY IS FULLY SHIELDED
 2. ELECTRICAL RATINGS:
VOLTAGE 125 V
CURRENT: 1.5 AMPS
 3. MIN PANEL NUT TORQUE: 12 FT-LBS
 4. MATERIALS: SEE TABLE
 5. FINISHES: SEE TABLE
 6. ASSEMBLY IS TO BE RoHS COMPLIANT
 7. DIMENSIONS ARE REFERENCE UNLESS OTHERWISE SPECIFIED
 8. MATES WITH M12 D-CODE MALE

SHIELD (85% MIN. COVERAGE TINNED COPPER BRAID)



WIRING DIAGRAM (SEE NOTE 1)

ITEM	DESCRIPTION	MATERIAL	FINISH
11	WRAP LABEL	VINYL	BLACK/YELLOW
10	SHRINK SLEEVE	POLYOLEFIN	BLACK
9	POTTING MATERIAL	PUR	BLUE
8	PANEL NUT, M24X2.0	STAINLESS STEEL	PASSIVATED
7	O-RING PANEL SEAL	VITON	RED
6	O-RING MATING SEAL	VITON	RED
5	FEMALE CONTACT SOCKET	Cu ALLOY	GOLD PLATED
4	FEM. INSULATOR, 4/C, D-CODE (ANTI-ROTATE)	NYLON	BLACK
3	RECEPTACLE SLEEVE	STAINLESS STEEL	PASSIVATED
2	RECEPTACLE SHELL (ANTI-ROTATE)	STAINLESS STEEL	PASSIVATED
1	CABLE, 18AWG SHIELDED WITH DRAIN	XLE	BLACK

FUNCTIONAL SYMBOLS		THIS DRAWING CONTAINS INFORMATION THAT IS PROPRIETARY TO MOLEX ELECTRONIC TECHNOLOGIES, LLC AND SHOULD NOT BE USED WITHOUT WRITTEN PERMISSION		CURRENT REV DESC: ADD NEW 5M LENGTH 1303030009, UPDATE TO LATEST DOC STANDARD	
FA = 0	DIMENSION UNITS	SCALE	EC NO: 642084		
EA = 0	INCH/MM	NTS	DRWN: MZIELINSKI 2020/07/21		
EP = 0	GENERAL TOLERANCES (UNLESS SPECIFIED)		CHK'D: ALEON01 2020/07/29		
DIVISIONAL SYMBOLS		ANGULAR TOL ± °	APPR: BWOODMAN 2020/07/31		
4 PLACES ±		INITIAL REVISION:			
3 PLACES ±		DRWN: RSTONE 2010/02/15			
2 PLACES ±		APPR: DTITUS 2010/03/23			
1 PLACE ±		DRAFT WHERE APPLICABLE MUST REMAIN WITHIN DIMENSIONS			
0 PLACES ±		THIRD ANGLE PROJECTION	DRAWING	SERIES	DOCUMENT NUMBER
			C-SIZE	130303	SD-130303-001
		MATERIAL NUMBER	CUSTOMER	DOC TYPE	DOC PART
		SEE TABLE	GENERAL MARKET	PSD	001
		SHEET NUMBER		REVISION	
		1 OF 1		F	



MIC RECEPTACLE ASSEMBLY
HDEX, FEM, D-CODE, M12 18 AWG, MAX LOAD FRONT

PRODUCT CUSTOMER DRAWING