

TABLE 1

| 番号 NO. | 部品 PART | 材質 MATERIAL |
|--------|---------------------|--|
| ① | ハウジング HOUSING | ポリアミド(PA), UL94V-0, GLASS-FILLED, 色: 表参照 POLYAMIDE(PA), UL94V-0, GLASS-FILLED, COLOR: SEE CHART |
| ② | 母材 MATERIAL | りん青銅 PHOSPHOR BRONZE |
| | コンタクト部 CONTACT AREA | 無光沢錫めっき 1.0 MICROMETER MINIMUM |
| | テール部 TAIL AREA | MATTE TIN PLATING 1.0 MICROMETER MINIMUM |
| | 下地めっき UNDER PLATING | ニッケルめっき 1.0 MICROMETER MINIMUM |
| ③ | 母材 MATERIAL | りん青銅 PHOSPHOR BRONZE |
| | テール部 TAIL AREA | 無光沢錫めっき 1.0 MICROMETER MINIMUM |
| | 下地めっき UNDER PLATING | ニッケルめっき 1.0 MICROMETER MINIMUM |
| | ネイル NAIL | 無光沢錫めっき 1.0 MICROMETER MINIMUM |

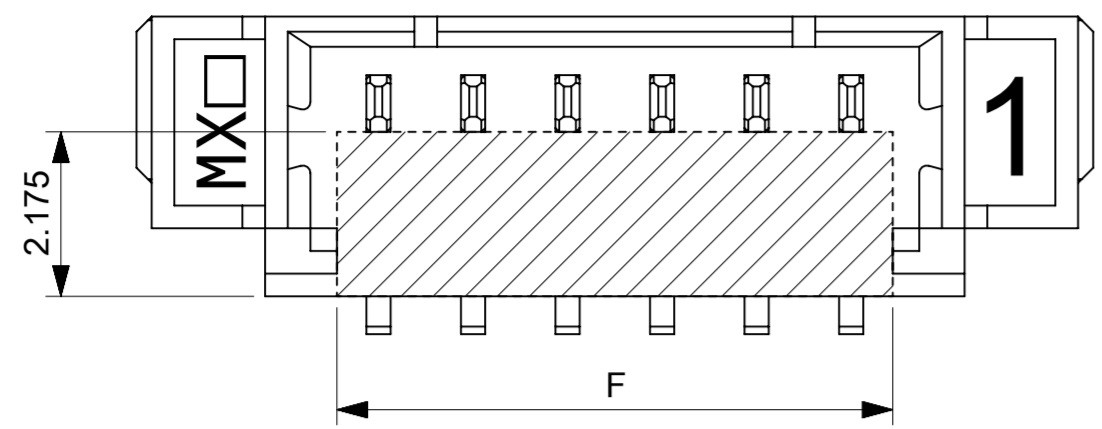
THIS DRAWING CONTAINS INFORMATION THAT IS PROPRIETARY TO MOLEX ELECTRONIC TECHNOLOGIES, LLC AND SHOULD NOT BE USED WITHOUT WRITTEN PERMISSION

| | | |
|--|---------|--------------------------------|
| DIMENSION UNITS | SCALE | CURRENT REV DESC: |
| mm | NTS | |
| GENERAL TOLERANCES (UNLESS SPECIFIED) | | |
| ANGULAR TOL | ± 3.0° | |
| 4 PLACES | ± 0.2 | EC NO: 706542 |
| 3 PLACES | ± 0.2 | DRWN: QHE31 2022/05/02 |
| 2 PLACES | ± 0.2 | CHK'D: KOMURAKAMI 2022/06/03 |
| 1 PLACE | ± 0.2 | APPR: SAKIYAMA 2022/06/03 |
| 0 PLACES | ± 0.2 | INITIAL REVISION: |
| DRAFT WHERE APPLICABLE MUST REMAIN WITHIN DIMENSIONS | | |
| THIRD ANGLE PROJECTION | DRAWING | SERIES |
| | A2-SIZE | 53398 |
| DOCUMENT NUMBER | | DOC TYPE DOC PART REVISION |
| 533980000-SD | | PSD 000 C |
| MATERIAL NUMBER | | CUSTOMER |
| SEE CHART | | GENERAL |
| SHEET NUMBER | | 1 OF 5 |

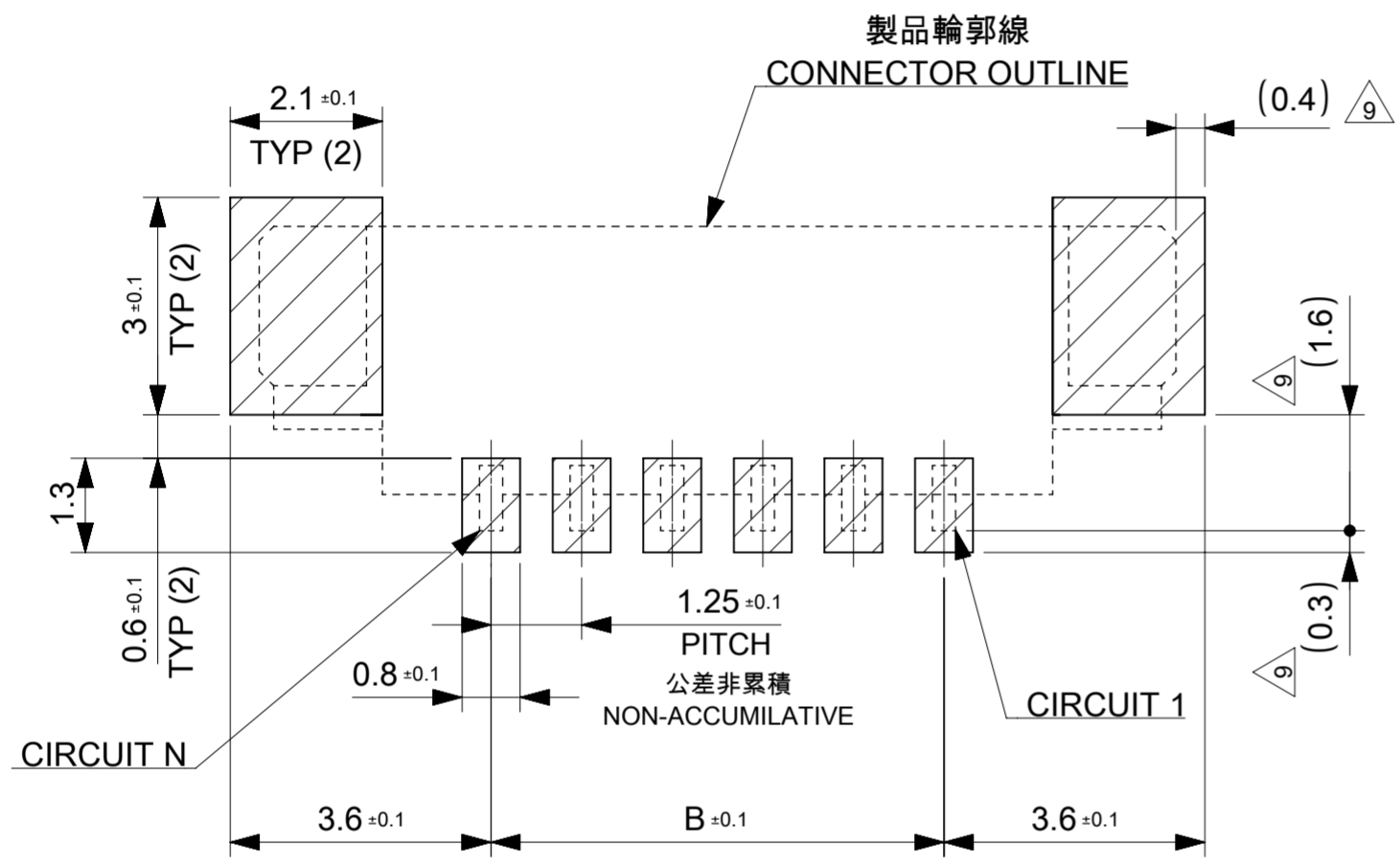
NOTES

- 材料および仕上げ (めっき仕様) : TABLE 1参照
MATERIAL AND FINISHES : SEE TABLE 1
- 適用製品及び各種仕様書はSHEET 5を参照のこと
REFER TO SHEET 5 ABOUT APPLICABLE PRODUCTS AND VARIOUS SPECIFICATIONS
- 梱包形態 : SHEET 3 参照
PACKAGING INFORMATION : SEE SHEET 3
- 水平面上におけるハウジング底面 W とソルダーテール及びネイル底面とのズレ量を示す。
MISALIGNMENT OF SOLDER TAIL AND NAIL FROM W
- 偶数極のみに適用
APPLY TO EVEN CIRCUIT PRODUCTS.
- 端子テール部およびネイルの平坦度は0.1以下
COPLANARITY OF TAIL AND NAIL TO BE 0.1 MAX.
- ロックの数は、2,3極は1ロック、4極以上は2ロック。
LOCKING WINDOW: ONE PLACE FOR 2 AND 3 CIRCUIT, AND TWO PLACES FOR MORE THAN 4 CIRCUIT.
- 本製品は錫めっき品です。金めっき品は533980002-SDをご参照ください
THIS PRODUCT IS TIN PLATING TYPE. PLEASE REFER TO 533980002-SD FOR GOLD PLATING TYPE

| | | | | | | |
|-------|-------|-------|-------|-------|-------|--------------------|
| 18.6 | 19.3 | 20.5 | 23.5 | 17.5 | 23.9 | 15 |
| 17.35 | 18.05 | 19.25 | 22.25 | 16.25 | 22.65 | 14 |
| 16.1 | 16.8 | 18 | 21 | 15 | 21.4 | 13 |
| 14.85 | 15.55 | 16.75 | 19.75 | 13.75 | 20.15 | 12 |
| 13.6 | 14.3 | 15.5 | 18.5 | 12.5 | 18.9 | 11 |
| 12.35 | 13.05 | 14.25 | 17.25 | 11.25 | 17.65 | 10 |
| 11.1 | 11.8 | 13 | 16 | 10 | 16.4 | 9 |
| 9.85 | 10.55 | 11.75 | 14.75 | 8.75 | 15.15 | 8 |
| 8.6 | 9.3 | 10.5 | 13.5 | 7.5 | 13.9 | 7 |
| 7.35 | 8.05 | 9.25 | 12.25 | 6.25 | 12.65 | 6 |
| 6.1 | 6.8 | 8 | 11 | 5 | 11.4 | 5 |
| 4.85 | 5.55 | 6.75 | 9.75 | 3.75 | 10.15 | 4 |
| 3.6 | 4.3 | 5.5 | 8.5 | 2.5 | 8.9 | 3 |
| 2.35 | 3.05 | 4.25 | 7.25 | 1.25 | 7.65 | 2 |
| F | E | D | C | B | A | 極数 CIRCUIT SIZE |



吸着面
VACUUM AREA

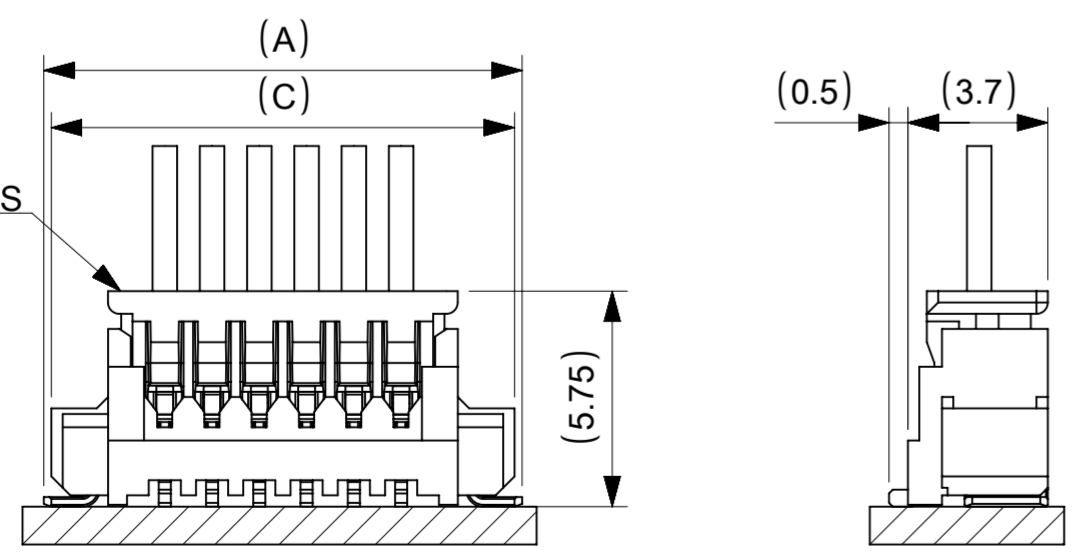


△10 推奨基板レイアウト (実装面側)

RECOMMENDED PCB LAYOUT : COMPONENT SIDE

(参考 : 基板厚 1.0 MILLIMETER, メタルマスク厚 : 0.15 MILLIMETER, マスク開口率:100%)
(REFERENCE : PCB THICKNESS 1.0 MILLIMETER, STENCIL THICKNESS: 0.15 MILLIMETER, APERTURE:100%)

嵌合相手 : 51021 シリーズ
MATE WITH : 51021 SERIES



嵌合図
MATED CONNECTORS

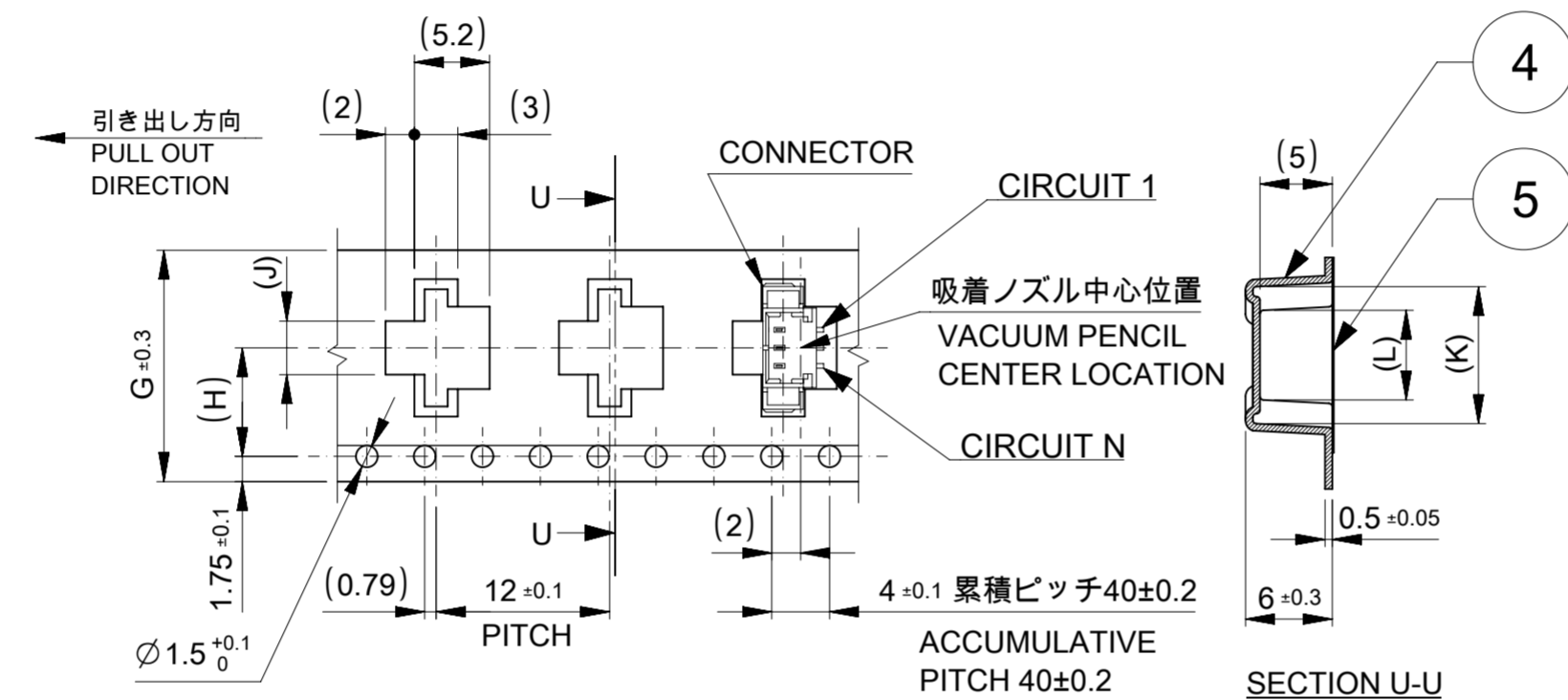
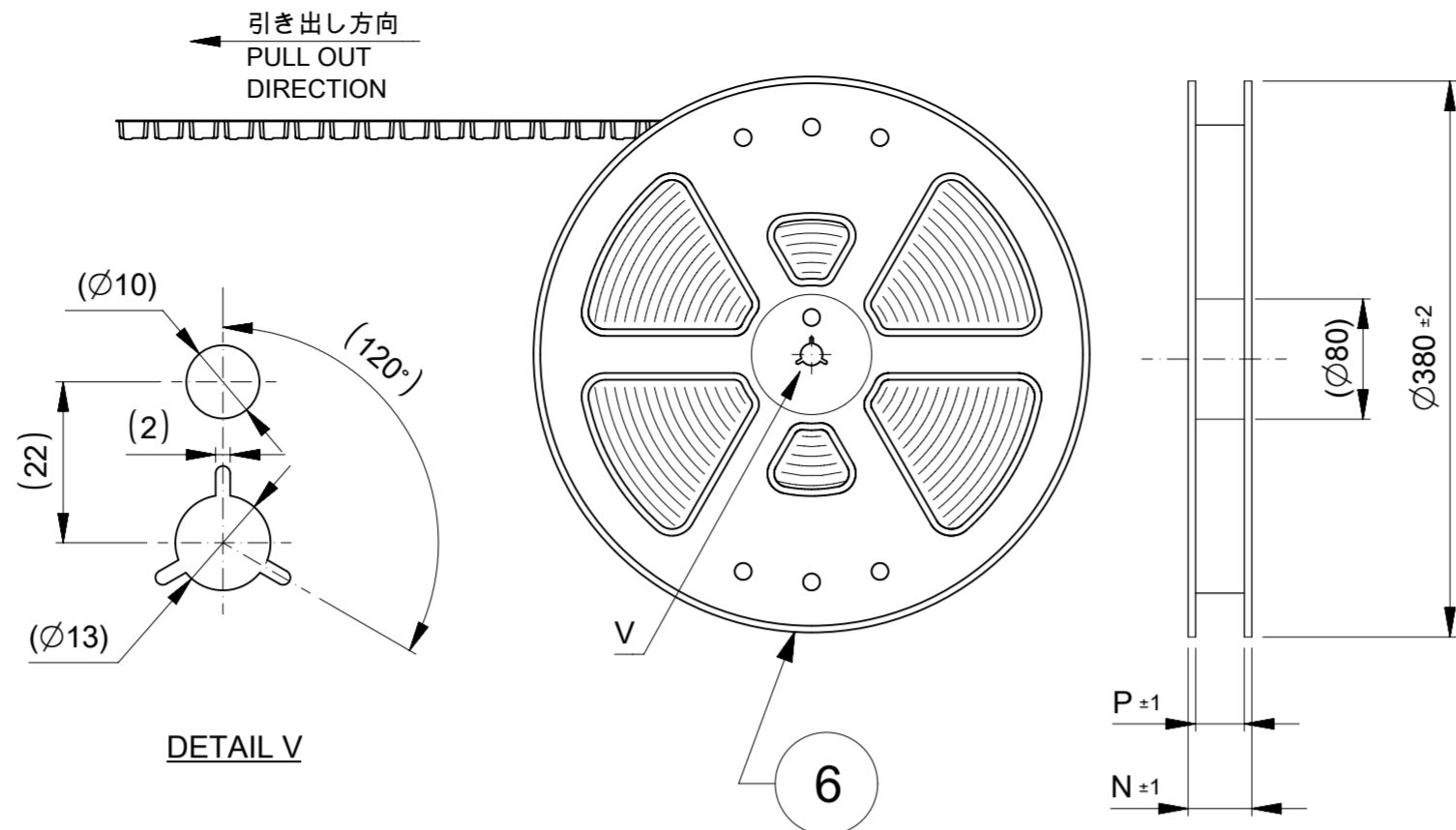
NOTES

- △9 製品輪郭線からパッドまでの寸法を示す。
DIMENSIONS FROM CONNECTOR OUTLINE TO PAD
- △10 製品の基板実装部以外の金属露出部と基板パターンとの干渉、および製品と基板上の突起物との干渉が生じないようにご配慮をお願いいたします。
PLEASE TAKE CARE NOT TO CAUSE INTERFERENCE BETWEEN EXPOSED METAL PARTS EXCLUDING MOUNTING PORTION OF PRODUCT AND PCB PATTERN, AND INTERFERENCE BETWEEN PRODUCT AND PROTRUSIONS ON PCB.

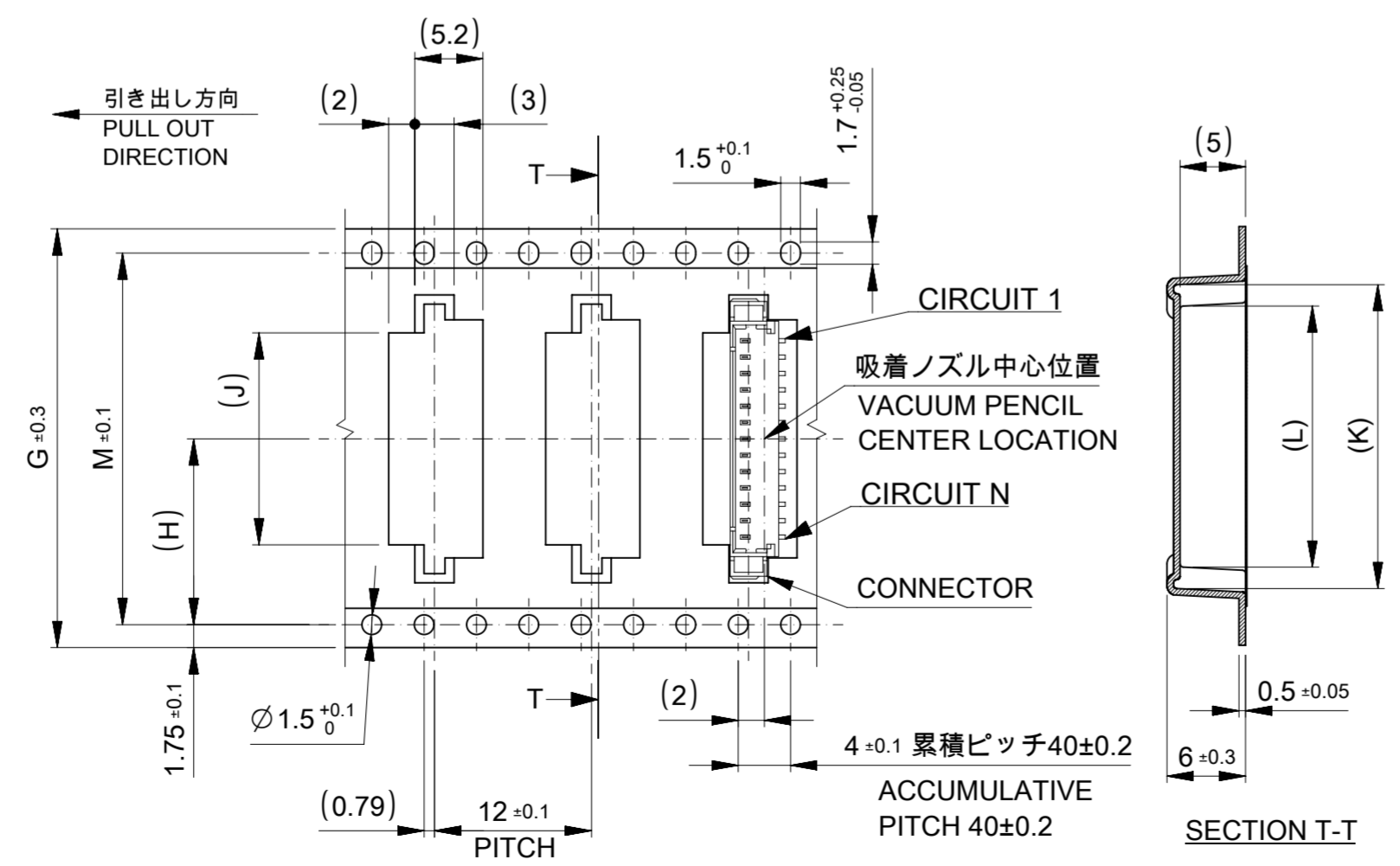
| | | | | | | |
|-------|-------|-------|-------|-------|-------|--------------------|
| 18.6 | 19.3 | 20.5 | 23.5 | 17.5 | 23.9 | 15 |
| 17.35 | 18.05 | 19.25 | 22.25 | 16.25 | 22.65 | 14 |
| 16.1 | 16.8 | 18 | 21 | 15 | 21.4 | 13 |
| 14.85 | 15.55 | 16.75 | 19.75 | 13.75 | 20.15 | 12 |
| 13.6 | 14.3 | 15.5 | 18.5 | 12.5 | 18.9 | 11 |
| 12.35 | 13.05 | 14.25 | 17.25 | 11.25 | 17.65 | 10 |
| 11.1 | 11.8 | 13 | 16 | 10 | 16.4 | 9 |
| 9.85 | 10.55 | 11.75 | 14.75 | 8.75 | 15.15 | 8 |
| 8.6 | 9.3 | 10.5 | 13.5 | 7.5 | 13.9 | 7 |
| 7.35 | 8.05 | 9.25 | 12.25 | 6.25 | 12.65 | 6 |
| 6.1 | 6.8 | 8 | 11 | 5 | 11.4 | 5 |
| 4.85 | 5.55 | 6.75 | 9.75 | 3.75 | 10.15 | 4 |
| 3.6 | 4.3 | 5.5 | 8.5 | 2.5 | 8.9 | 3 |
| 2.35 | 3.05 | 4.25 | 7.25 | 1.25 | 7.65 | 2 |
| F | E | D | C | B | A | 極数 CIRCUIT SIZE |

THIS DRAWING CONTAINS INFORMATION THAT IS PROPRIETARY TO MOLEX ELECTRONIC TECHNOLOGIES, LLC AND SHOULD NOT BE USED WITHOUT WRITTEN PERMISSION

| | | | | | | | |
|--|---------------------|------------------------|----------------|-------------------|-----------------|--------------------------|--------------|
| DIMENSION UNITS mm | SCALE NTS | CURRENT REV DESC: | | molex | | | |
| GENERAL TOLERANCES (UNLESS SPECIFIED) | | EC NO: 706542 | | | | | |
| ANGULAR TOL | ± 3.0° | 4 PLACES | ± 0.2 | DRWN: QHE31 | 2022/05/02 | PRODUCT CUSTOMER DRAWING | |
| | | 3 PLACES | ± 0.2 | CHK'D: KOMURAKAMI | 2022/06/03 | DOCUMENT NUMBER | |
| | | 2 PLACES | ± 0.2 | APPR: SAKIYAMA | 2022/06/03 | 533980000-SD | |
| | | 1 PLACE | ± 0.2 | INITIAL REVISION: | | DOC TYPE | DOC PART |
| | | 0 PLACES | ± 0.2 | DRWN: SOBARA01 | 2019/04/04 | PSD | 000 |
| | | | | APPR: AIDA | 2019/10/30 | REVISION | C |
| DRAFT WHERE APPLICABLE MUST REMAIN WITHIN DIMENSIONS | | THIRD ANGLE PROJECTION | DRAWING | SERIES | MATERIAL NUMBER | CUSTOMER | SHEET NUMBER |
| | | | A2-SIZE | 53398 | SEE CHART | GENERAL | 2 OF 5 |



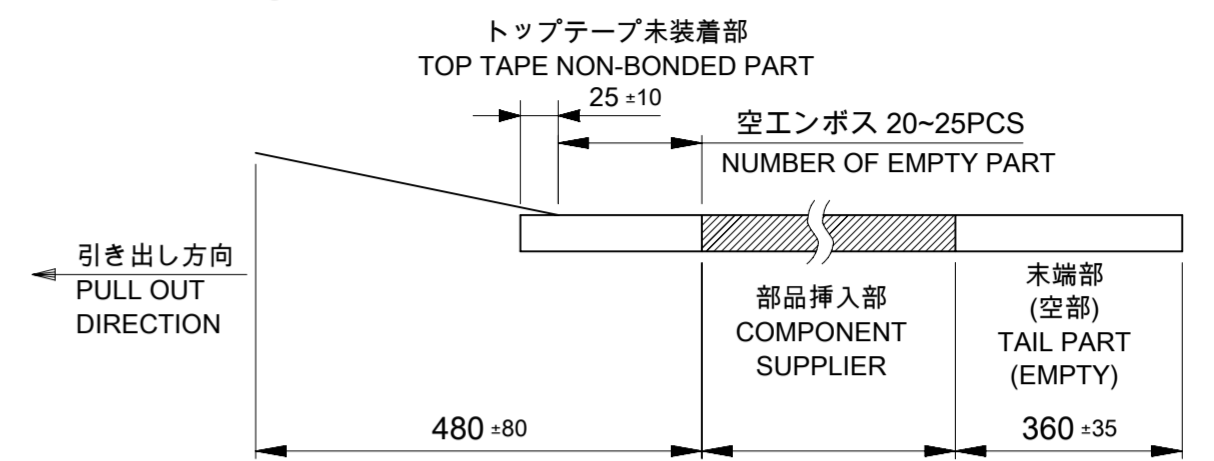
16mm幅(2~3極用)および24mm幅(4~10極用)キャリアテープ
16mm (FOR 2-3 CIRCUIT) OR 24mm (FOR 4-10 CIRCUIT) WIDTH CARRIER TAPE



32mm幅(11~13極用)および44mm幅(13~15極用)キャリアテープ
32mm (FOR 11-13 CIRCUIT) OR 44mm (FOR 13-15 CIRCUIT) WIDTH CARRIER TAPE

NOTES

- 梱包数量 : 1000個/リール
NUMBER OF CONNECTOR : 1000PCS / REEL
 - リードテープ長さ
LEAD TAPE LENGTH
- △13 材料 : TABLE 2 参照
MATERIAL : REFER TO TABLE 2
- トップテープの剥離強度はIEC60286-3に準拠
TOP TAPE PELING FORCE IS DEFINED BY IEC60286-3.
 - 本製品は乾燥剤入り、ハイバリア梱包仕様による納品となります。
THIS PRODUCT IS DELIVERED IN A HIGH BARRIER PACKAGE WITH DESICCANT.
 - 梱包仕様書 : SPK-53398-002
PACKING SPECIFICATION : SPK-53398-002



△13 TABLE 2

| 番号 NO. | 部品 PART | 材質 MATERIAL |
|--------|----------------------|---|
| ④ | キャリアテープ CARRIER TAPE | ポリプロピレン(PP) POLYPROPYLENE(PP) |
| ⑤ | トップテープ TOP TAPE | ポリエチレン (PE)、その他 POLYETHYLENE (PE), ETC |
| ⑥ | リール REEL | ポリスチレン(PS)<リサイクル材を含む> POLYSTYRENE(PS) <RECYCLE MATERIAL CONTAINED > |

△17 発注番号
ORDER NUMBER

53398****

極数
CIRCUIT

| | | |
|-----------|-----------|----|
| 533981576 | 533981571 | 15 |
| 533981476 | 533981471 | 14 |
| 533981376 | 533981371 | 13 |
| 533981276 | 533981271 | 12 |
| 533981176 | 533981171 | 11 |
| 533981076 | 533981071 | 10 |
| 533980976 | 533980971 | 9 |
| 533980876 | 533980871 | 8 |
| 533980776 | 533980771 | 7 |
| 533980676 | 533980671 | 6 |
| 533980576 | 533980571 | 5 |
| 533980476 | 533980471 | 4 |
| 533980376 | 533980371 | 3 |
| 533980276 | 533980271 | 2 |

| | | |
|------------------------------------|--|---------------|
| 色 : 黒 COLOUR: BLACK | 色 : ナチュラル(ベージュ) COLOUR: NATURAL (BEIGE) | 極数 CIRCUIT |
| 発注番号 ORDER NO. 梱包形態 : エンボス梱包 | | |
| PACKAGING : EMBOSSED TAPE AND REEL | | |

| | | | | |
|-----------------|----|--------------|------------|----------|
| DOCUMENT STATUS | P1 | RELEASE DATE | 2022/06/03 | 11:50:50 |
|-----------------|----|--------------|------------|----------|

THIS DRAWING CONTAINS INFORMATION THAT IS PROPRIETARY TO MOLEX ELECTRONIC TECHNOLOGIES, LLC AND SHOULD NOT BE USED WITHOUT WRITTEN PERMISSION

| DIMENSION UNITS | SCALE | CURRENT REV DESC: |
|--|------------------------|--|
| mm | NTS | |
| GENERAL TOLERANCES (UNLESS SPECIFIED) | | |
| ANGULAR TOL | ± 3.0° | |
| 4 PLACES | ± 0.2 | EC NO: 706542 |
| 3 PLACES | ± 0.2 | DRWN: QHE31 2022/05/02 |
| 2 PLACES | ± 0.2 | CHK'D: KOMURAKAMI 2022/06/03 |
| 1 PLACE | ± 0.2 | APPR: SAKIYAMA 2022/06/03 |
| 0 PLACES | ± 0.2 | INITIAL REVISION: |
| | | DRWN: SOBARA01 2019/04/04 |
| | | APPR: AIDA 2019/10/30 |
| DRAFT WHERE APPLICABLE MUST REMAIN WITHIN DIMENSIONS | THIRD ANGLE PROJECTION | DRAWING SERIES MATERIAL NUMBER CUSTOMER SHEET NUMBER |
| | | A2-SIZE 53398 SEE CHART GENERAL 3 OF 5 |

molex

PICOBLADE 1.25
SMT VERTICAL TIN PLATING TYPE

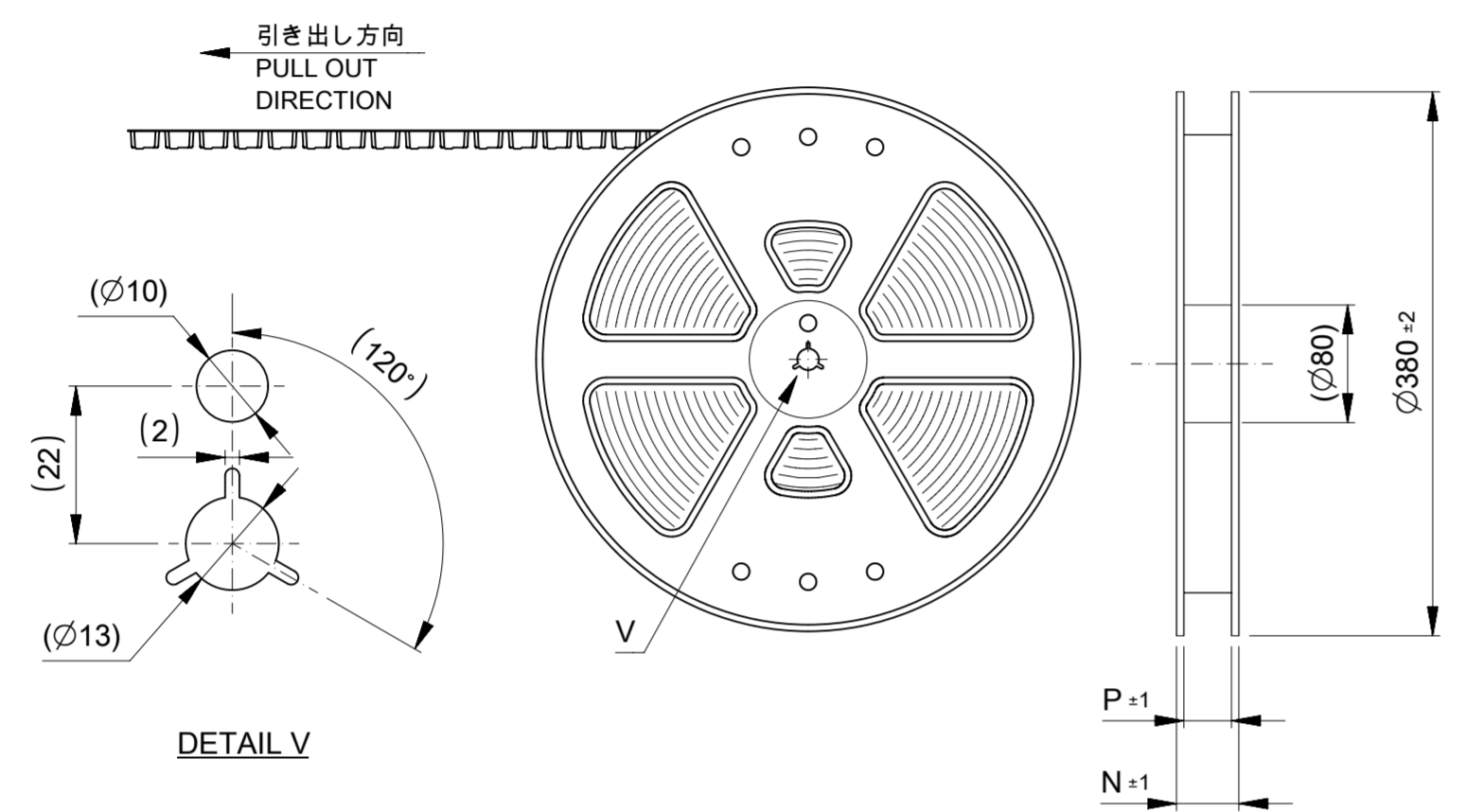
PRODUCT CUSTOMER DRAWING

DOCUMENT NUMBER: 533980000-SD
DOC TYPE: PSD
DOC PART: 000
REVISION: C

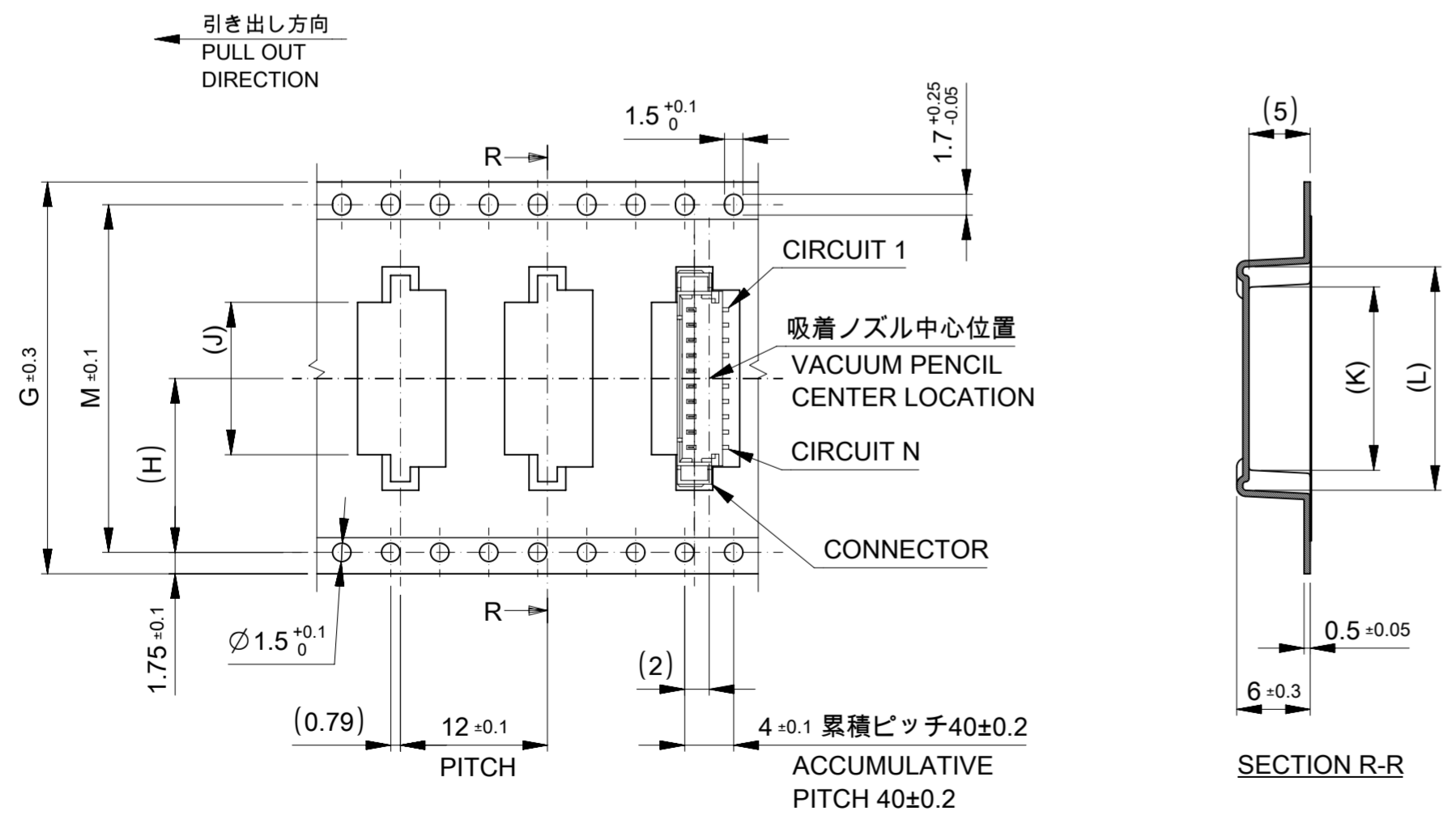
△18 533981071
 韓国生産分に適用
 APPLIES TO PRODUCT
 PRODUCED BY MXK

NOTES

△18 韓国生産分の533981071(10極品)は、キャリアテープ幅32mmでの納品となります。
 533981071 (10 CIRCUIT) MADE IN MXK IS DELIVERED WITH 32mm WIDTH CARRIER TAPE.



DETAIL V



32mm幅キャリアテープ
 32mm WIDTH CARRIER TAPE

| | | | | | | | | |
|------|------|------|-------|-------|-------|------|------------------------------------|--------------------|
| 33.4 | 37.4 | 28.4 | 18.25 | 14.55 | 12.45 | 14.2 | 32 | 10 |
| P | N | M | L | K | J | H | キャリアテープ幅 G CARRIER TAPE WIDTH G | 極数 CIRCUIT SIZE |

THIS DRAWING CONTAINS INFORMATION THAT IS PROPRIETARY TO MOLEX ELECTRONIC TECHNOLOGIES, LLC AND SHOULD NOT BE USED WITHOUT WRITTEN PERMISSION

| | | | | | |
|--|--------|------------------------------|--|-----------|----------|
| DIMENSION UNITS | SCALE | CURRENT REV DESC: | molex | | |
| mm | NTS | | | | |
| GENERAL TOLERANCES (UNLESS SPECIFIED) | | | PICOB LADE 1.25 SMT VERTICAL TIN PLATING TYPE | | |
| ANGULAR TOL | ± 3.0° | EC NO: 706542 | PRODUCT CUSTOMER DRAWING | | |
| 4 PLACES | ± 0.2 | DRWN: QHE31 2022/05/02 | DOCUMENT NUMBER | | |
| 3 PLACES | ± 0.2 | CHK'D: KOMURAKAMI 2022/06/03 | 533980000-SD | | |
| 2 PLACES | ± 0.2 | APPR: SAKIYAMA 2022/06/03 | DOC TYPE | DOC PART | REVISION |
| 1 PLACE | ± 0.2 | INITIAL REVISION: | PSD | 000 | C |
| 0 PLACES | ± 0.2 | DRWN: SOBARA01 2019/04/04 | SHEET NUMBER | | |
| DRAFT WHERE APPLICABLE MUST REMAIN WITHIN DIMENSIONS | | | MATERIAL NUMBER | CUSTOMER | 4 OF 5 |
| THIRD ANGLE PROJECTION | | DRAWING | SERIES | SEE CHART | GENERAL |
| A2-SIZE | | 53398 | | | |

△ 適合製品及び各種仕様書
 APPLICABLE PRODUCTS AND SPECIFICATIONS

| | | | | | |
|--|-----------------|--------------------------------------|-----------|---------------------------------------|-----------|
| 梱包仕様書 PACKING SPECIFICATION | | PART NUMBER 53398**71 / 53398**76 | | SPECIFICATION NUMBER SPK-53398-002 | |
| 適合ハウジング APPLICABLE HOUSING | | PART NUMBER 51021**00 | | | |
| 適合圧着端子 APPLICABLE TERMINAL | PLATING | TIN | | | |
| | PART NUMBER | 500798*00 | 500588*00 | 500798001 | 500588001 |
| | WIRE SIZE (AWG) | #26-28 | #28-32 | #26-28 | #28-32 |
| 製品仕様書 PRODUCT SPECIFICATION | | PS-51021-024 PS 001 | | 510211124-PS PS 000 | |
| アプリケーション仕様書 (取扱説明書) APPLICATION SPECIFICATION | | 510210000-AS PS 000 | | | |

| | | | | | | | | | | |
|---|--------|------------------------|--|------------|--------|---|----------|--------------|-----|---|
| THIS DRAWING CONTAINS INFORMATION THAT IS PROPRIETARY TO MOLEX ELECTRONIC TECHNOLOGIES, LLC AND SHOULD NOT BE USED WITHOUT WRITTEN PERMISSION | | | | | | | | | | |
| DIMENSION UNITS | SCALE | CURRENT REV DESC: | | | | molex | | | | |
| mm | NTS | | | | | | | | | |
| GENERAL TOLERANCES (UNLESS SPECIFIED) | | | | | | PICOBLADE 1.25 SMT VERTICAL TIN PLATING TYPE | | | | |
| ANGULAR TOL | ± 3.0° | EC NO: 706542 | | | | PRODUCT CUSTOMER DRAWING | | | | |
| 4 PLACES | ± 0.2 | DRWN: QHE31 | | 2022/05/02 | | | | | | |
| 3 PLACES | ± 0.2 | CHK'D: KOMURAKAMI | | 2022/06/03 | | | | | | |
| 2 PLACES | ± 0.2 | APPR: SAKIYAMA | | 2022/06/03 | | | | | | |
| 1 PLACE | ± 0.2 | INITIAL REVISION: | | | | DOCUMENT NUMBER | | | | |
| 0 PLACES | ± 0.2 | DRWN: SOBARA01 | | 2019/04/04 | | 533980000-SD | | PSD | 000 | C |
| DRAFT WHERE APPLICABLE MUST REMAIN WITHIN DIMENSIONS | | THIRD ANGLE PROJECTION | | DRAWING | SERIES | MATERIAL NUMBER | CUSTOMER | SHEET NUMBER | | |
| | | | | A2-SIZE | 53398 | SEE CHART | GENERAL | 5 OF 5 | | |