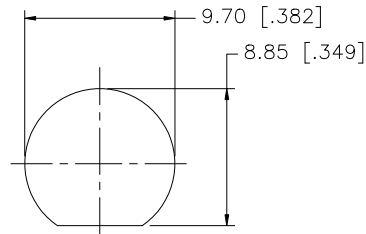
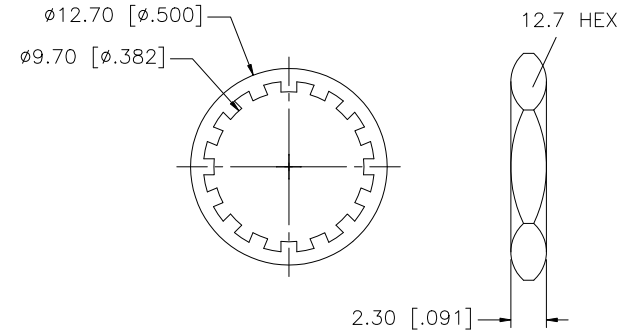
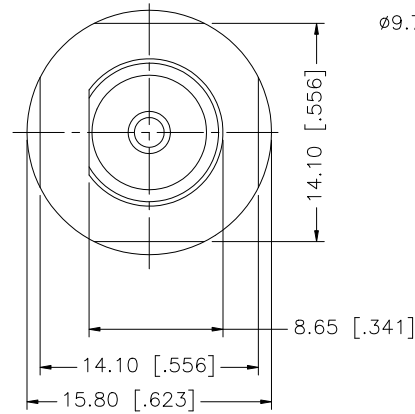
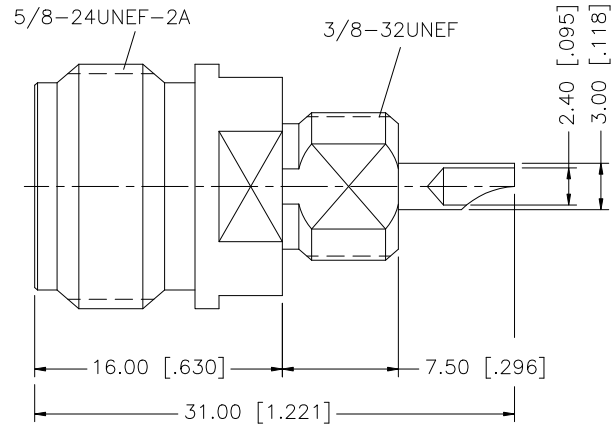


REV.	DATE	ECR NO.	DESCRIPTION
NC	08/14/00	-	INITIAL RELEASE
A	04/08/08	-	REVISE BODY PLATING TO NEXCOTE, UPDATE DRAWING FORMAT



RECOMMENDED MOUNTING HOLE DIMENSIONS

8				
7				
6				
5	HEX NUT	BRASS	NICKEL	1
4	LOCK WASHER	BRASS	NICKEL	1
3	CONTACT PIN	PHOS. BRONZE	GOLD	1
2	INSULATOR	TEFLON	NATURAL	1
1	BODY	BRASS	NEXCOTE	1
	DESCRIPTION	MATERIAL	FINISH	QTY

UNLESS OTHERWISE SPECIFIED DIMENSIONS ARE IN MILLIMETERS. DIMENSIONS IN [] ARE IN INCHES AND FOR CUSTOMER REFERENCE ONLY.

UNLESS OTHERWISE SPECIFIED TOLERANCES FOR MILLIMETERS ARE:
0.5 - 8mm ± 0.20mm
8 - 30mm ± 0.40mm
30 - 120mm ± 0.50mm

UNLESS OTHERWISE SPECIFIED TOLERANCES FOR INCHES ARE:
.020 - .315 = ± 0.007"
.315 - 1.180 = ± 0.015"
1.180 - 4.724 = ± 0.020"

DO NOT SCALE DRAWING

APPROVALS		DATE
DRAWN	GRS	04/08/08
CHECKED		
ISSUED		
SHEET	1 OF 1	
CAD FILE	C:/172/172270.DWG	

Amphenol Connex

PART DESCRIPTION

N FEMALE BULKHEAD
BNC MOUNTING HOLE

PART NO.

172270

DWG. NO.

172270.DWG

REV. NC

SIZE A

SCALE NA