

DO NOT SCALE FROM THIS PRINT

- NOTES:
- ⊕ REPRESENTS A CRITICAL DIMENSION.
 - BURR ALLOWANCE: .003[.08] MAX.
 - PARTS TO BE MOLDED TO POSITION.
 - MINIMUM PIN PULLOUT FORCE: 5.000LB[22.24N].
 - CONTACT MUST BE INSERTED UNTIL RETENTION FEATURE LOCKS INTO PLACE.
 - FOLLOW CO-RF-WI-3001-M AND SAMTEC PACKAGING STANDARDS.
 - ONLY AVAILABLE IN TIN PLATING.
 - ALL PARTS TO PASS ELECTRICAL TEST UPON ASSEMBLY (INCLUDING HI-POT TEST AT 1000 VOLTS DC). AFTER FINAL ELECTRICAL TEST, LABEL EACH ASSEMBLY WITH (1) ET STAMP ON THE BODY.
 - APPLICATIONS INVOLVING SEVERE BENDING REQUIRE 6" MINIMUM CABLE LENGTH.
 - DELETED.
 - DELETED.
 - 203 USES 20 GAGE 300 VOLT CABLE.
 - AVAILABLE ONLY AS AN ASO.
 - 206 USES 20 GAGE 600 VOLT CABLE.
 - MINIMUM METAL LATCH RETENTION FORCE: 1.000LB[4.45N].
 - REFER TO CRIMP SPECIFICATIONS PRINT FOR CRIMP AND STRIP DIMENSIONS, TOLERANCES, TOOLING AND ITS REQUIREMENTS
 - FOR LENGTHS LESS THAN 12 IN, TOLERANCE SHALL BE ±.125[3.18]. FOR OTHER LENGTHS, TOLERANCES SHALL BE ±2%.
 - AVAILABLE TO EXISTING CUSTOMERS ONLY, DO NOT DESIGN AS OF REVISION P.
 - AVAILABLE TO EXISTING CUSTOMERS ONLY, DO NOT DESIGN AS OF REVISION Z.
 - ASSEMBLIES USING THE FEP OPTION ARE FOR CRIMP APPLICATIONS ONLY.
 - CUT LENGTH IS ASSEMBLY LENGTH MINUS OVERALL LENGTH SUBTRACTOR.

PMSDX-XX-XXXX-X-XX.XX-X-XXX

FEP CABLE OPTION

-T: FEP
(LEAVE BLANK FOR STANDARD PVC INSULATION)
(SEE NOTE 20)

No. OF POSITIONS

-02 THRU -15
(PER ROW)

WIRE GAUGE (AWG)

PVC: -16, -18, -206, -203, -22, -24
FEP: *-18, -24

COLOR CODE

LEAVE BLANK FOR ALL BLACK WIRE
C: COLOR CODED WIRE, SEE COLOR SEQUENCE TABLE, SHEET 3 (NOT AVAILABLE WITH FEP OPTION)

LEAD STYLE

-SP: STANDARD POWER (C-169-XX-SP-T)
*(SEE NOTE 19)
-HP: HIGH POWER (C-169-XX-HP-T)
*(SEE NOTE 18)
-K: KEYED POLARIZATION (C-169-XX-SP-T)
(USE IPBD-XX-D-K) (SEE FIG 4, SHT 3)

ASSEMBLED LENGTH

SPECIFY IN INCHES
3.00 INCHES MINIMUM FOR SINGLE ENDED
3.50 INCHES MINIMUM FOR DOUBLE ENDED
[USE DWCX-XX-XX-XXX]

OPTION

SINGLE

-M: METAL LATCH (USE IPBD-XX-D-M)
(LEAVE BLANK FOR PLASTIC)

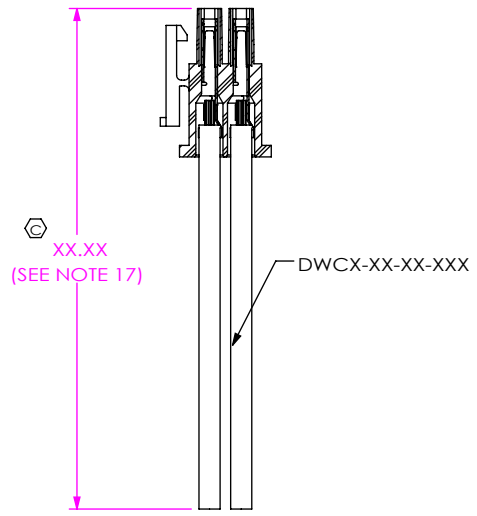
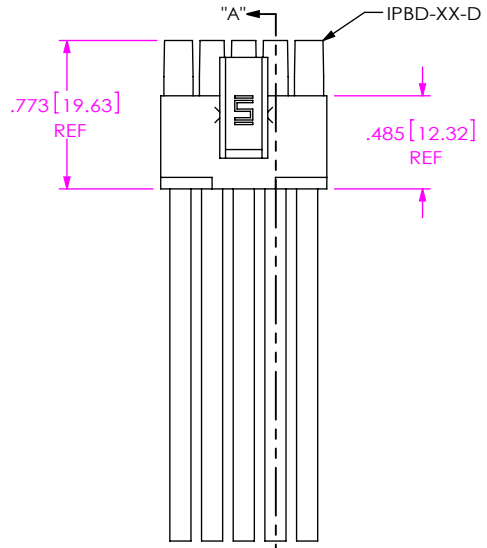
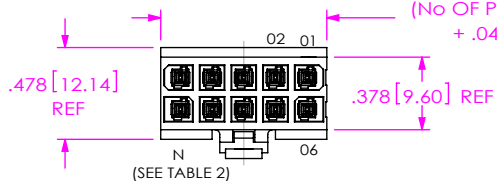
DOUBLE

-LUS: PLASTIC LATCH UP, STRAIGHT
-LDS: PLASTIC LATCH DOWN, STRAIGHT
-LUX: PLASTIC LATCH UP, CROSSED
-LDX: PLASTIC LATCH DOWN, CROSSED
-MUS: METAL LATCH UP, STRAIGHT
-MDS: METAL LATCH DOWN, STRAIGHT
-MUX: METAL LATCH UP, CROSSED
-MDX: METAL LATCH DOWN, CROSSED

END OPTION

-S: SINGLE END
-D: DOUBLE END
(MUST CHOOSE LUS, LDS, LUX, LDX, MUS, MDS, MUX, OR MDX)

*AVAILABLE TO EXISTING CUSTOMERS ONLY



No. of Pos	N
-02	4
-03	6
-04	8
-05	10
-06	12
-07	14
-08	16
-09	18
-10	20
-11	22
-12	24
-13	26
-14	28
-15	30

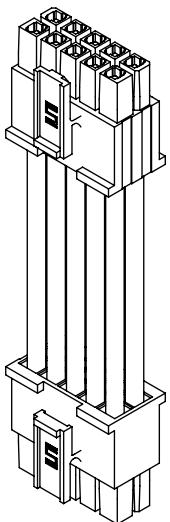
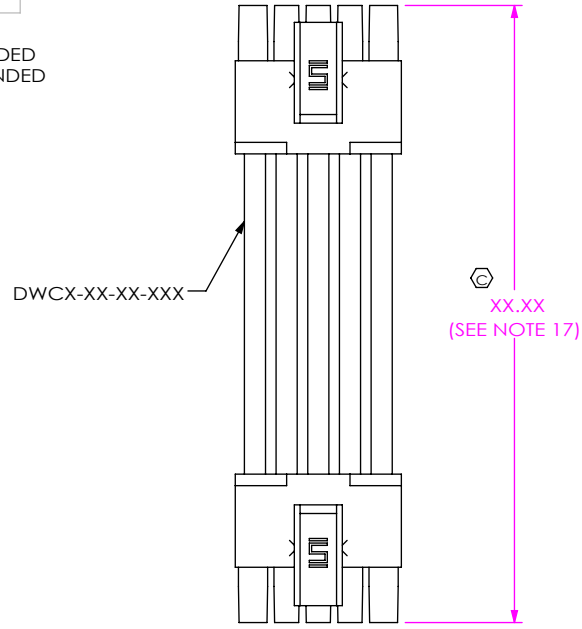


FIG 1 (PMSDX-05-XXXX-X-XX.XX-S SHOWN)

SECTION "A"-"A"

FIG 2 (PMSDX-05-XXXX-X-XX.XX-D-LUS SHOWN)
(SAME AS FIG 1, EXCEPT AS SHOWN)

SERIES	CABLE AWG	CABLE	CONTACT	"P"
PMSD	16 AWG	DWC-16-10-600	C-169-03-XX-T	.128 [3.25]
PMSD	18 AWG	DWC-18-10-600	C-169-03-XX-T	.115 [2.92]
PMSD	***206 AWG	DWC-20-10-600	C-169-03-XX-T	.115 [2.92]
PMSD	**203 AWG	DWC-20-10-300	C-169-02-XX-T	.128 [3.25]
PMSD	22 AWG	DWC-22-10-300	C-169-02-XX-T	.128 [3.25]
PMSD	24 AWG	DWC-24-10-300	C-169-02-XX-T	.128 [3.25]
PMSDT	*18 AWG	DWCT-18-01-TC	C-169-03-XX-T	.115 [2.92]
PMSDT	24 AWG	DWCT-24-01-TC	C-169-04-XX-T	.128 [3.25]

* AVAILABLE TO EXISTING CUSTOMERS ONLY
** SEE NOTES 12 & 13
*** SEE NOTE 14

UNLESS OTHERWISE SPECIFIED, DIMENSIONS ARE IN INCHES.
TOLERANCES ARE:
DECIMALS ANGLES
.XX: ±.01 [.3] 2°
.XXX: ±.005 [.13]
.XXXX: ±.0020 [.051]

MATERIAL: DO NOT SCALE DRAWING SHEET SCALE: 1:1

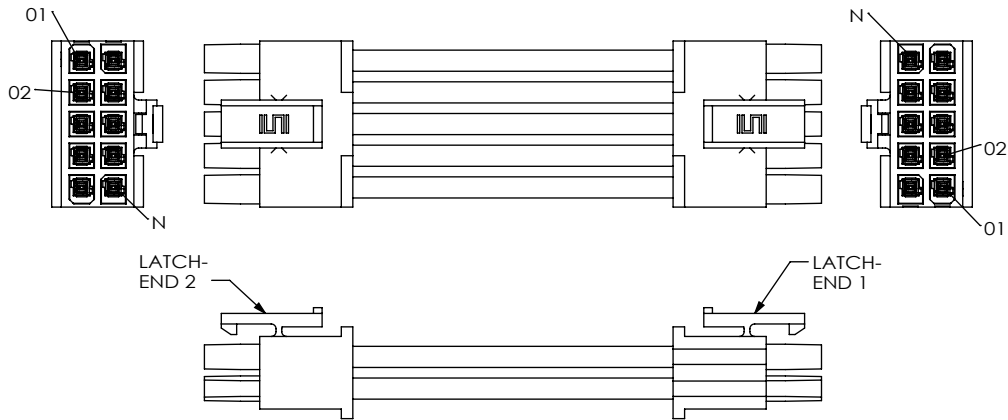
HOUSING: PBT UL 94V-0/5VA, COLOR: NATURAL
CONTACT: PHOS BRONZE
CABLE; INSULATION: SEE CALLOUT
WIRE: SEE CALE PRINT (NOT LEAD FREE)
METAL LATCH: NICKEL-PLATED BeCu

PROPRIETARY NOTE
THIS DOCUMENT CONTAINS CONFIDENTIAL AND PROPRIETARY INFORMATION AND ALL DESIGN, MANUFACTURING, REPRODUCTION, USE, PATENT RIGHTS AND SALES RIGHTS ARE EXPRESSLY RESERVED BY SAMTEC, INC. THIS DOCUMENT SHALL NOT BE DISCLOSED, IN WHOLE OR PART, TO ANY UNAUTHORIZED PERSON OR ENTITY NOR REPRODUCED, TRANSFERRED OR INCORPORATED IN ANY OTHER PRODUCT IN ANY MANNER WITHOUT THE EXPRESS WRITTEN CONSENT OF SAMTEC, INC.

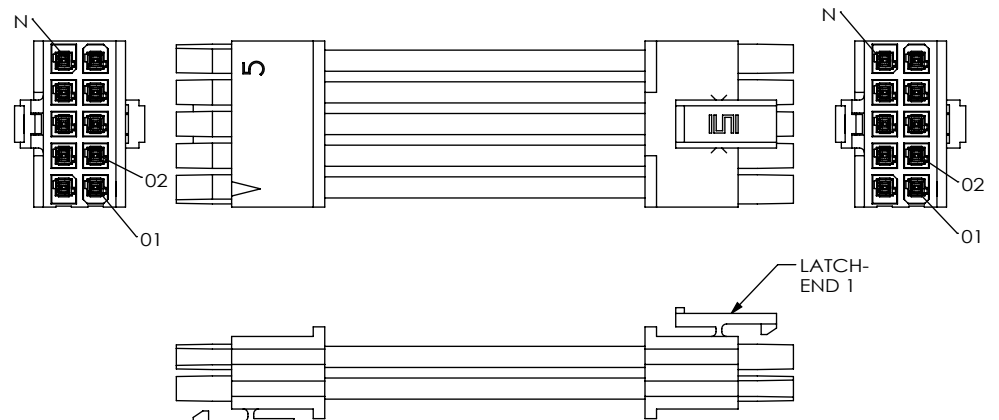


520 PARK EAST BLVD, NEW ALBANY, IN 47150
PHONE: 812-944-6733 FAX: 812-948-5047
e-Mail info@SAMTEC.com code 55322

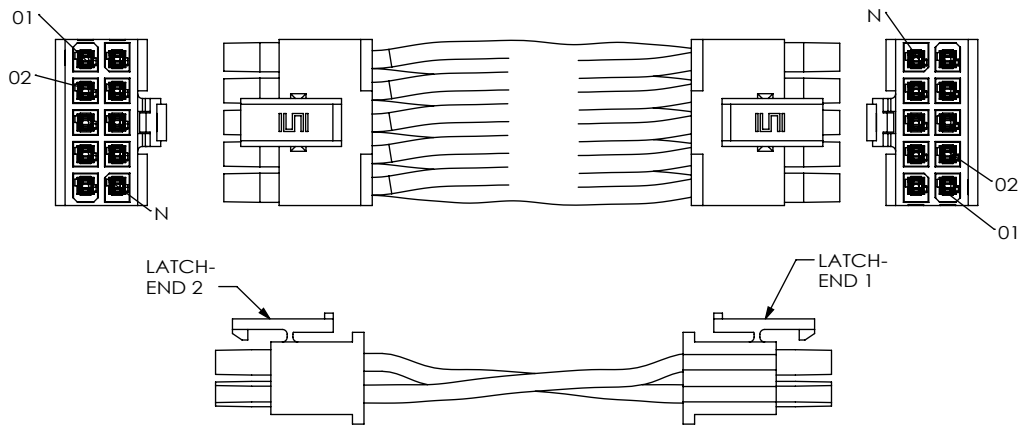
DESCRIPTION:
.165[4.19] SOCKET DISCREET CABLE ASSEMBLY
DWG. NO.
PMSDX-XX-XXXX-X-XX.XX-X-XXX
BY: DEAN P 07/28/2004 SHEET 1 OF 3



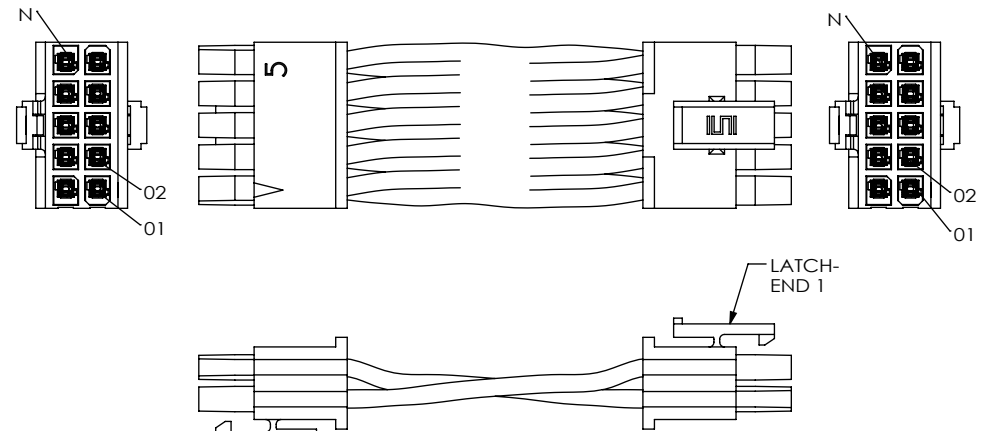
-LUS
[LATCH UP- CABLE STRAIGHT]
(PIN 1 TO PIN N/2)



-LDS
[LATCH DOWN- CABLE STRAIGHT]
(PIN 1 TO PIN N/2 +1)



-LUX
[LATCH UP- CABLE CROSSED]
(PIN 1 TO PIN N)



-LDX
[LATCH DOWN- CABLE CROSSED]
(PIN 1 TO PIN 1)

PROPRIETARY NOTE
THIS DOCUMENT CONTAINS CONFIDENTIAL AND PROPRIETARY INFORMATION AND ALL DESIGN, MANUFACTURING, REPRODUCTION, USE, PATENT RIGHTS AND SALES RIGHTS ARE EXPRESSLY RESERVED BY SAMTEC, INC. THIS DOCUMENT SHALL NOT BE DISCLOSED, IN WHOLE OR PART, TO ANY UNAUTHORIZED PERSON OR ENTITY NOR REPRODUCED, TRANSFERRED OR INCORPORATED IN ANY OTHER PROJECT IN ANY MANNER WITHOUT THE EXPRESS WRITTEN CONSENT OF SAMTEC, INC.

DO NOT SCALE DRAWING

SHEET SCALE: 1:1



520 PARK EAST BLVD, NEW ALBANY, IN 47150
PHONE: 812-944-6733 FAX: 812-948-5047
e-Mail info@SAMTEC.com code 55322

DESCRIPTION:
.165[4.19] SOCKET DISCREET CABLE ASSEMBLY

DWG. NO.
PMSDX-XX-XXXX-X-XX.XX-X-XXX

BY: DEAN P 07/28/2004 SHEET 2 OF 3

FIG 3
(PMSDX-05-XXXX-X-XX.XX-S-M SHOWN)
(SAME AS FIG 1, EXCEPT AS SHOWN)

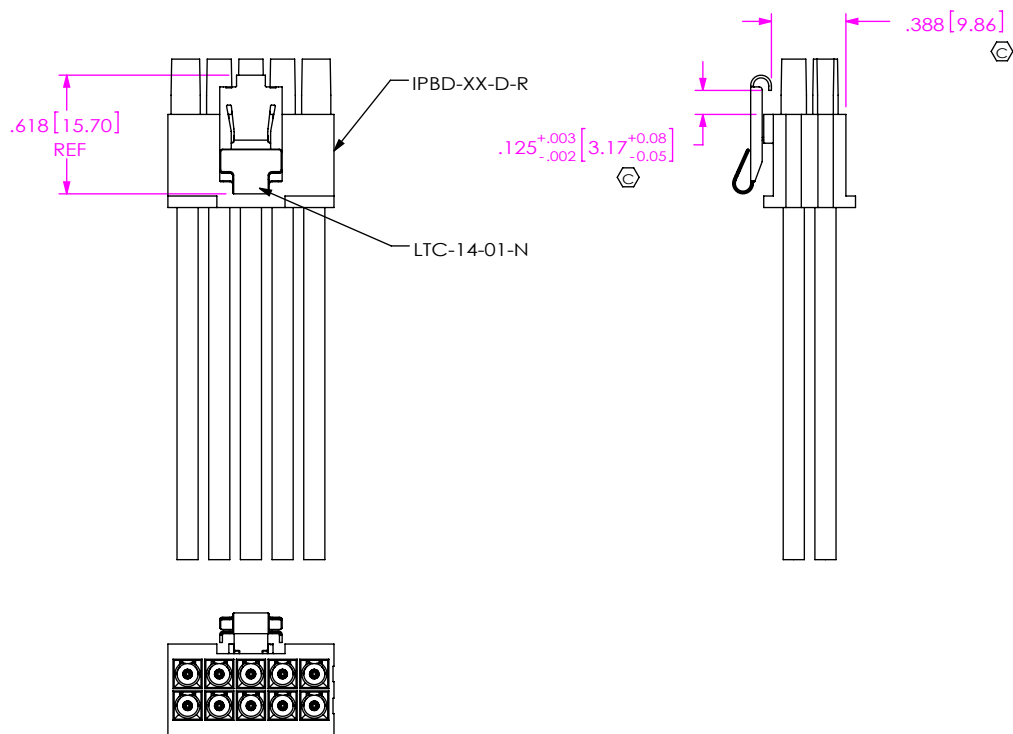
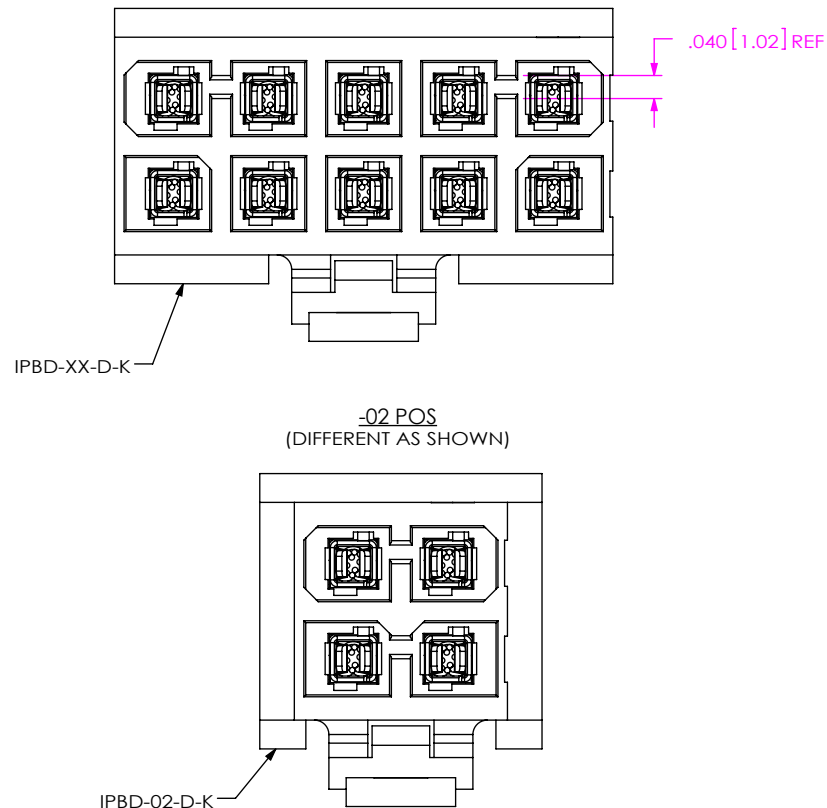
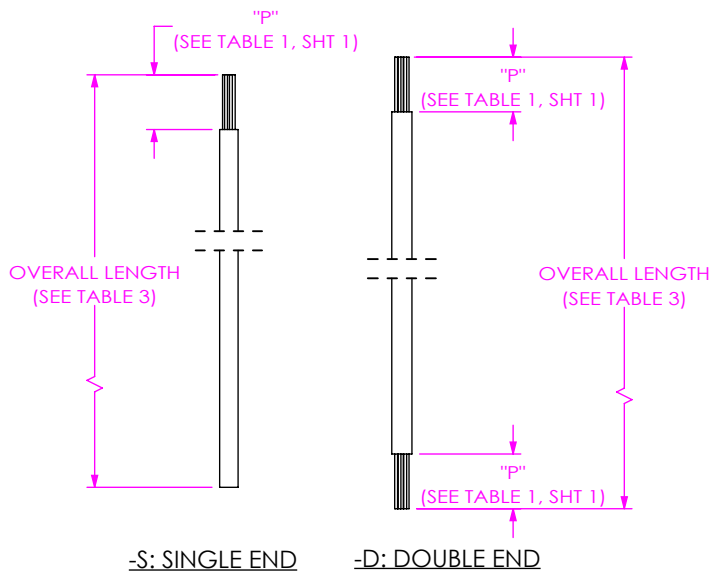


FIG 4
SCALE 3:1
-K: KEYED POLARIZATION
(PMSDX-05-XXXX-X-XX.XX-S-K SHOWN)
(SAME AS FIG 1, EXCEPT AS SHOWN)



CABLE CUT IN-PROCESS



PMSD COLOR CODED WIRE SEQUENCE

PIN#	color									
	BROWN	RED	ORANGE	YELLOW	GREEN	BLUE	VIOLET	GRAY	WHITE	BLACK
1	2	3	4	5	6	7	8	9	10	
11	12	13	14	15	16	17	18	19	20	
21	22	23	24	25	26	27	28	29	30	

TABLE 3
(OVERALL LENGTH SUBTRACTORS)
(SEE NOTE 21)

	LENGTH
-S: SINGLE END	.479 [12.17]
-D: DOUBLE END	.958 [24.33]

PROPRIETARY NOTE
THIS DOCUMENT CONTAINS CONFIDENTIAL AND PROPRIETARY INFORMATION AND ALL DESIGN, MANUFACTURING, REPRODUCTION, USE, PATENT RIGHTS AND SALES RIGHTS ARE EXPRESSLY RESERVED BY SAMTEC, INC. THIS DOCUMENT SHALL NOT BE DISCLOSED, IN WHOLE OR PART, TO ANY UNAUTHORIZED PERSON OR ENTITY NOR REPRODUCED, TRANSFERRED OR INCORPORATED IN ANY OTHER PROJECT IN ANY MANNER WITHOUT THE EXPRESS WRITTEN CONSENT OF SAMTEC, INC.

DO NOT SCALE DRAWING
SHEET SCALE: 1:1



520 PARK EAST BLVD, NEW ALBANY, IN 47150
PHONE: 812-944-6733 FAX: 812-948-5047
e-Mail: info@SAMTEC.com code 55322

DESCRIPTION:
.165[4.19] SOCKET DISCREET CABLE ASSEMBLY

DWG. NO.
PMSDX-XX-XXXX-X-XX.XX-X-XXX

BY: DEAN P 07/28/2004 SHEET 3 OF 3