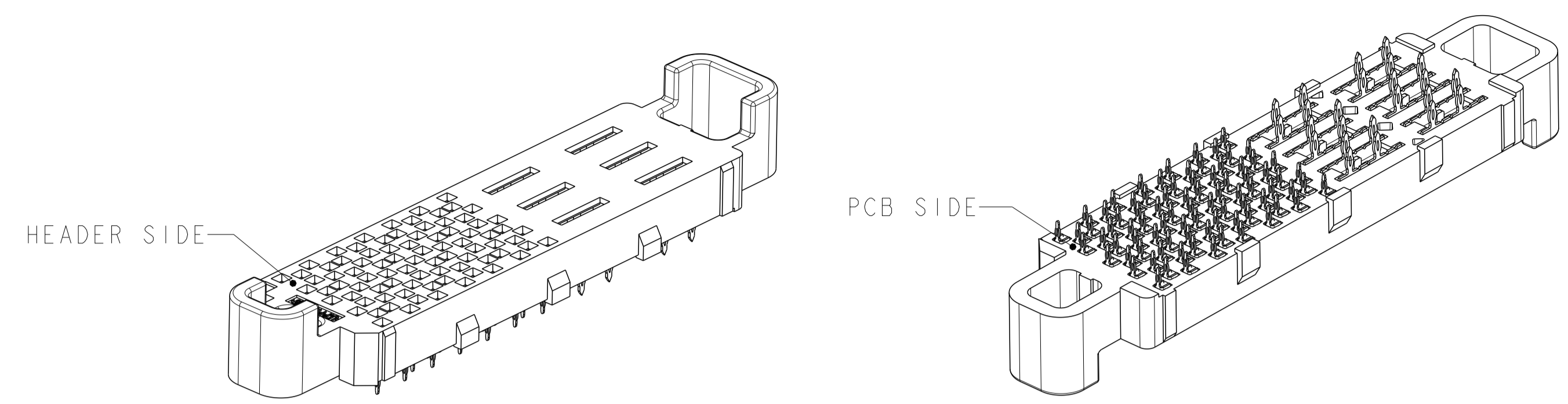
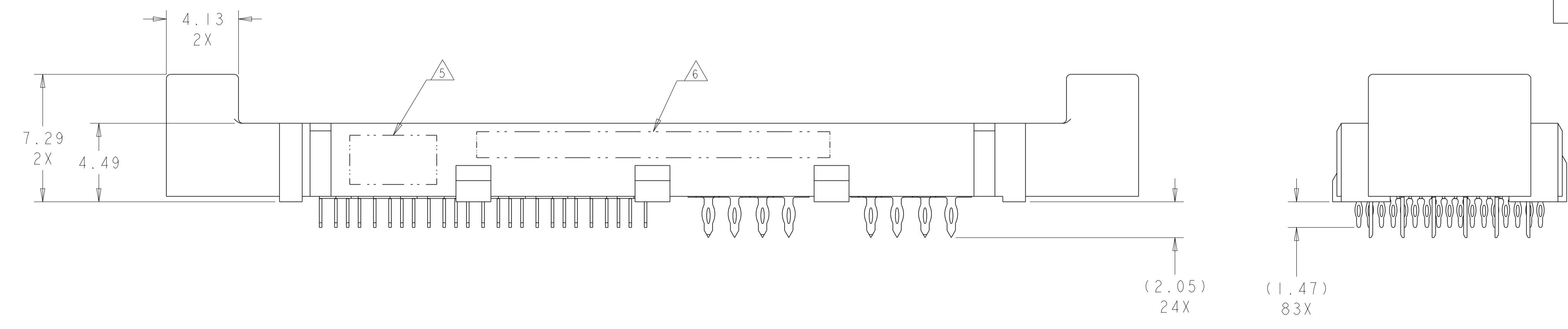
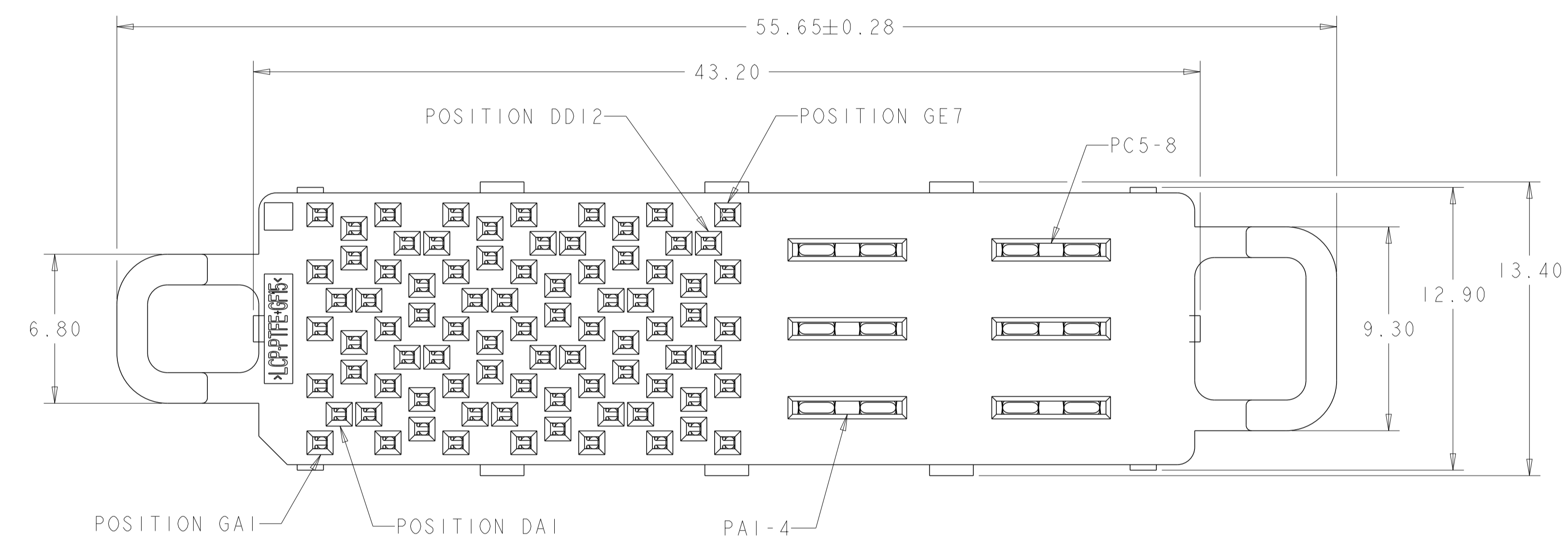


REVISIONS				
P	LTN	DESCRIPTION	DATE	APPV
B		ECR-21-122345	23NOV2022	TL HL



ISOMETRIC VIEWS
SCALE 3:1



- 1 MATERIAL:
HOUSING: THERMOPLASTIC, FLAMMABILITY RATING UL94 V-0
CONTACT: COPPER ALLOY
- 2. CONFORMS TO THE REQUIREMENTS OF TE PRODUCT SPECIFICATION, 108-2375; BASED ON TELCORDIA GR-1217-CORE FOR SYSTEM QUALITY LEVEL III, APPLICATIONS IN CONTROLLED ENVIRONMENTS (CENTRAL OFFICE).
SEE TE PRODUCT SPECIFICATION 108-2375 FOR TEST SEQUENCES.
- 3 ROWS GA THRU GE (SHOWN DARKENED) ARE TYPICALLY USED AS GROUNDS.
- 4 SPECIFIED POSITIONAL TOLERANCE DEFINES HOLE TO HOLE LOCATION WITHIN HOLE PATTERN. POSITIONAL TOLERANCE OF HOLE MARKS TO FIDUCIAL MARKS OR PCB DATUMS SHALL BE DEFINED BY CUSTOMER.
- 5 AREA RESERVED FOR TE CONNECTIVITY LOGO.
- 6 AREA RESERVED FOR PART NUMBER (X-XXXXXXX-X) AND DATE CODE (YYWW).
- 7 USE CENTER LINES INDICATED ON PCB HOLE PATTERN TO ESTABLISH ALIGNMENT BETWEEN HEADER AND RECEPTACLE BOARDS.
- 8 PLATED THROUGH HOLE REQUIREMENTS - SIGNAL:
HOLE SIZE PRIOR TO PLATING = $\varnothing 0.420 \pm 0.013$
COPPER PLATING THICKNESS = 0.038 ± 0.013
CALCULATED FINISHED HOLE SIZE = $\varnothing 0.344 \pm 0.039$
THESE DIMENSIONS APPLY TO THE TOP 1.25mm OF THE PCB THICKNESS FROM THE CONNECTOR MOUNTING SIDE.
- 9 PLATED THROUGH HOLE REQUIREMENTS - POWER:
HOLE SIZE PRIOR TO PLATING = $\varnothing 0.700 \pm 0.025$
COPPER PLATING THICKNESS = 0.038 ± 0.013
CALCULATED FINISHED HOLE SIZE = $\varnothing 0.624 \pm 0.051$
THESE DIMENSIONS APPLY TO THE TOP 1.50mm OF THE PCB THICKNESS FROM THE CONNECTOR MOUNTING SIDE.

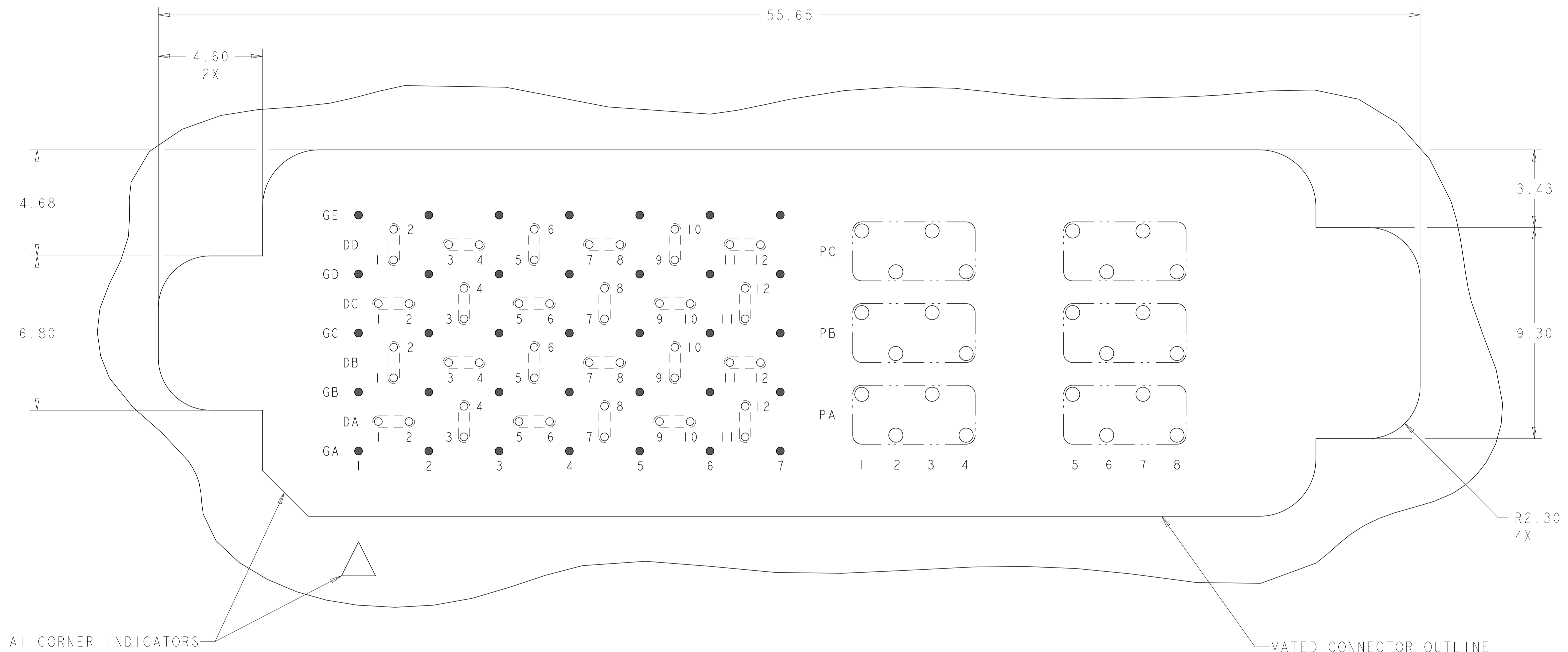
**SIZE 2 HALF WIDE W/GUIDE POSTS *
 24 DIFFERENTIAL PAIRS + GROUNDS
 83 TOTAL SIGNAL CONTACTS
 6 POWER CONTACTS**

* SIZE 1 AND SIZE 3 ARE ALSO AVAILABLE


THIS PRODUCT HAS NOT COMPLETED VALIDATION AND QUALIFICATION TESTING

THIS DRAWING IS A CONTROLLED DOCUMENT.		OWN HAMNER 03JUN2011	APVD J. FEDDER 07JUN2011	NAME RECEPTACLE ASSEMBLY, HALF-WIDE, 24/83/6P, STRADA MESA MEZZANINE CONNECTOR
DIMENSIONS: mm		CHK D. TROUT 07JUN2011	PRODUCT SPEC 108-2375	RESTRICTED TO
TOLERANCES UNLESS OTHERWISE SPECIFIED:		APVD J. FEDDER 07JUN2011	APPLICATION SPEC 114-13249	SIZE CAGE CODE DRAWING NO. A1 00779 C=2180761
MATERIAL		WEIGHT	Customer Drawing	SCALE 6:1 SHEET 1 OF 3 REV B

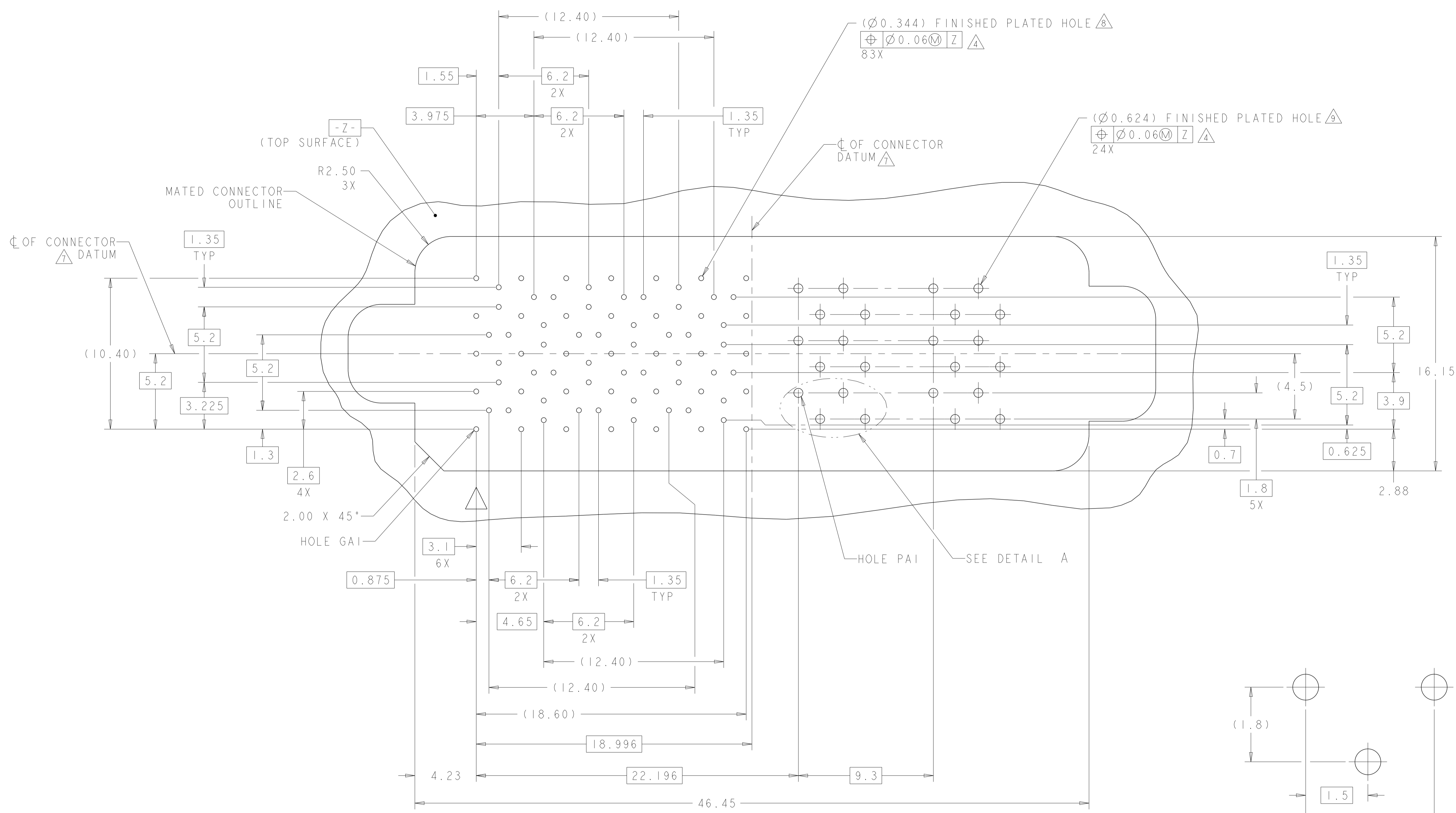
REVISIONS				
P	LTN	DESCRIPTION	DATE	OWN APVD
-	-	SEE SHEET 1	-	-



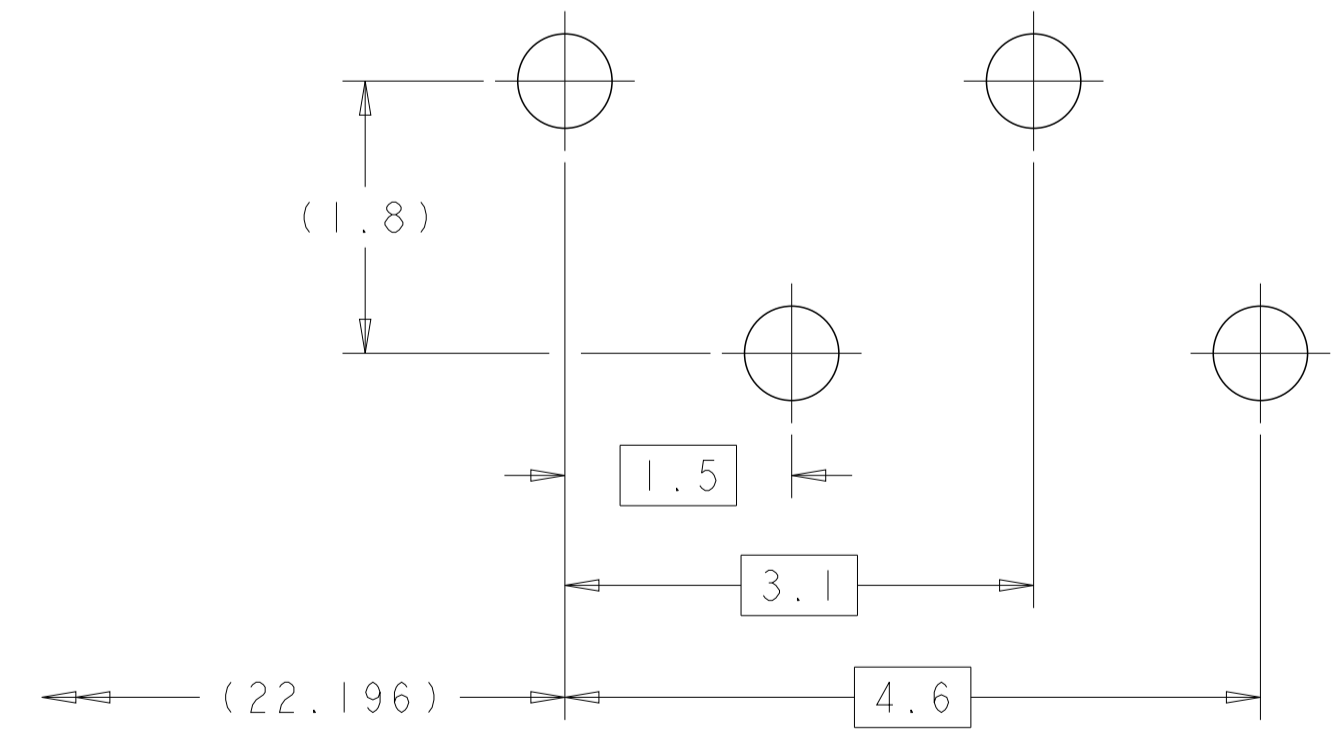
PCB LAYOUT AND PIN IDENTIFICATION 
 SHOWN FROM CONNECTOR SIDE
 SCALE 9:1

THIS DRAWING IS A CONTROLLED DOCUMENT.		OWN HAMNER 03JUN2011	 TE Connectivity
DIMENSIONS: mm		CHK D. TROUT 07JUN2011	
TOLERANCES UNLESS OTHERWISE SPECIFIED:		APVD J. FEDDER 07JUN2011	NAME
0 PLC ±	1 PLC ±	PRODUCT SPEC	RECEPTACLE ASSEMBLY,
2 PLC ±0.13	3 PLC ±0.013	APPLICATION SPEC	HALF-WIDE, 24/83/6P,
4 PLC ±	ANGLES ±1	FINISH	STRADA MESA MEZZANINE CONNECTOR
MATERIAL	WEIGHT	SIZE CAGE CODE DRAWING NO	RESTRICTED TO
-	-	114-13249	A100779C=2180761
-	-	Customer Drawing	SCALE 6:1 SHEET 2 OF 3 REV B

REVISIONS				
P	LTN	DESCRIPTION	DATE	APPD
-	-	SEE SHEET 1	-	-



PCB HOLE PATTERN
SHOWN FROM CONNECTOR SIDE
SCALE 7:1



DETAIL A
6X
SCALE 20:1

THIS DRAWING IS A CONTROLLED DOCUMENT.		OWN HAMNER 03JUN2011	 TE Connectivity
DIMENSIONS: mm		CHK D. TROUT 07JUN2011	
TOLERANCES UNLESS OTHERWISE SPECIFIED:		APPD J. FEDDER 07JUN2011	NAME RECEPTACLE ASSEMBLY, HALF-WIDE, 24/83/6P, STRADA MESA MEZZANINE CONNECTOR
0 PLC ±	1 PLC ±0.13	PRODUCT SPEC	SIZE CAGE CODE DRAWING NO RESTRICTED TO
2 PLC ±0.13	3 PLC ±0.013	APPLICATION SPEC	A100779C=2180761
4 PLC ±	ANGLES ±1	FINISH	WEIGHT
MATERIAL		114-13249	Customer Drawing
			SCALE 1:1 SHEET 3 OF 3 REV B