

MATERIALS AND FINISHES

BODY, JAM NUT, CRIMP TUBE BRASS  
PLATED NICKEL

CENTER CONTACT BERYLLIUM COPPER  
PLATED GOLD

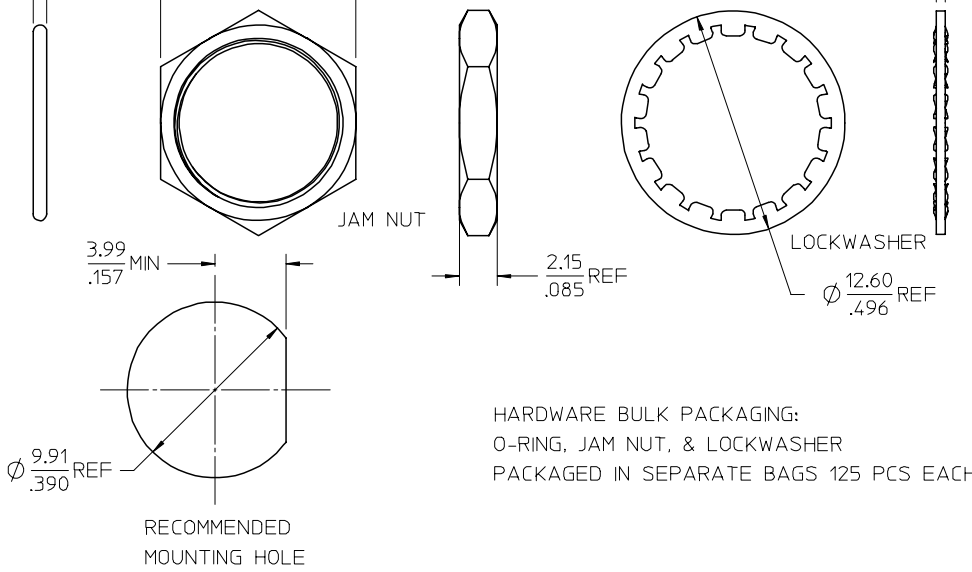
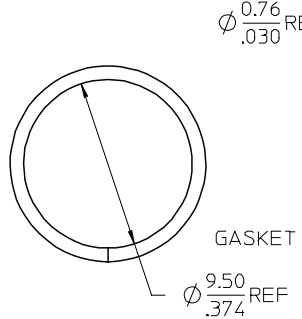
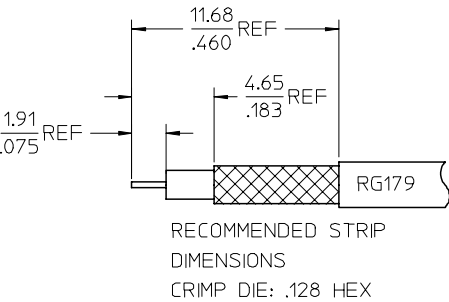
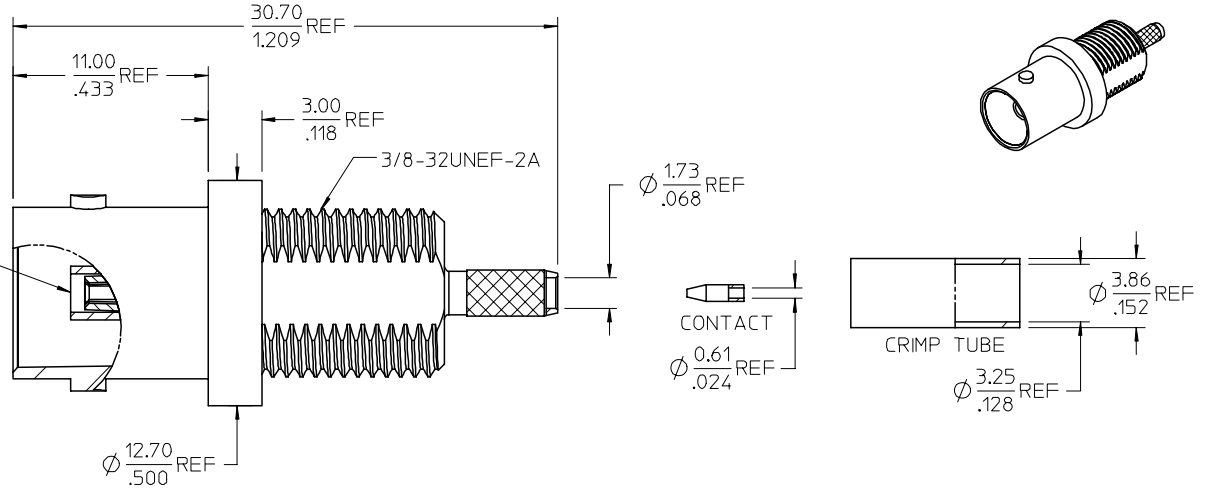
INSULATOR TEFLON

REAR CONTACT BRASS  
PLATED GOLD

GASKETS SILICONE RUBBER

LOCKWASHER PHOSPHOR BRONZE  
PLATED NICKEL

BNC JACK  
NON-STANDARD  
INTERFACE  
MEETS  
IEC 61010-1  
CLAUSE 6.2.3  
(WILL MATE  
WITH STANDARD  
BNC PLUG)



HARDWARE BULK PACKAGING:  
O-RING, JAM NUT, & LOCKWASHER  
PACKAGED IN SEPARATE BAGS 125 PCS EACH.

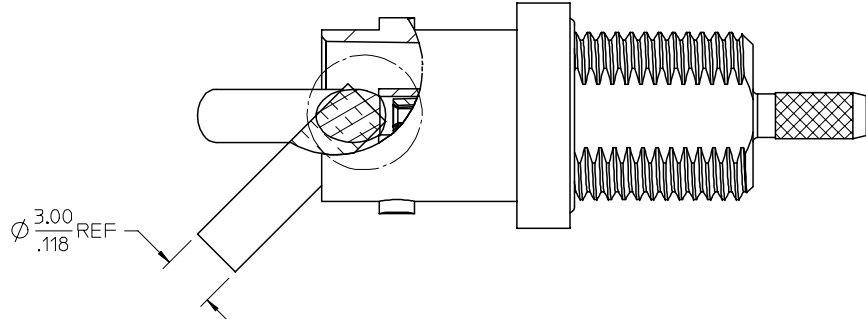
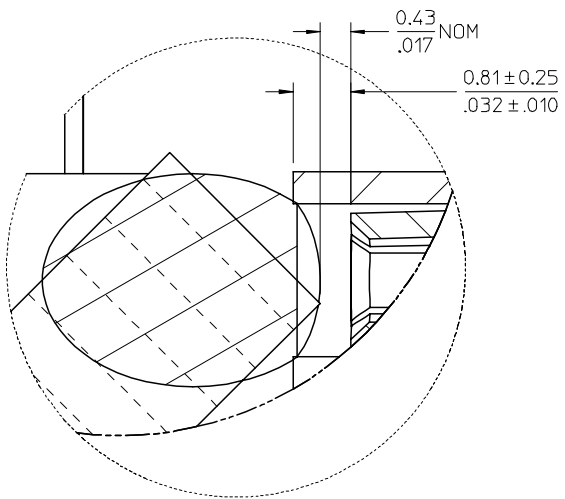
PART # 73171-2970

IP68	SEALING
AS-89511-0390	ASSEMBLY INSTRUCTION
SPECIFICATION	DESCRIPTION

CHG: ADDED HARDWARE BULK PACKAGING NOTE. A3	EC NO: URF2008-0226 DRAWN: ARBERTSON 2007/10/22 CHKD: 2007/10/22 APPR: JIM ENEER 2007/10/22	QUALITY SYMBOLS ▽=0 ▽=0	GENERAL TOLERANCES (UNLESS SPECIFIED)		DIMENSION STYLE MM/IN		SCALE	DESIGN UNITS	THIRD ANGLE PROJECTION
			mm	INCH	DRAWN BY	DATE	TITLE	METRIC	
			4 PLACES	± --- ± ---	AZR	2007/01/17	BNC JACK, NON-STANDARD INTERF RG179 IP68 75 OHM EWR-3276, BNC-JC/BK		
			3 PLACES	± --- ± ---	CHECKED BY	DATE	MOLEX INCORPORATED		
			2 PLACES	± --- ± ---	SSS	2007/01/17	DOCUMENT NO. SD-73171-297		
			1 PLACE	± --- ± ---	APPROVED BY	DATE	SHEET NO. 1 OF 2		
			ANGULAR ± 2 °		JDW	2007/01/17			
			DRAFT WHERE APPLICABLE MUST REMAIN WITHIN DIMENSIONS		MATERIAL NO. 731712970				
					SIZE C		THIS DRAWING CONTAINS INFORMATION THAT IS PROPRIETARY TO MOLEX INCORPORATED AND SHOULD NOT BE USED WITHOUT WRITTEN PERMISSION		

13 12 11 10 9 8 7 6 5 4 3 2 1

J  
I  
H  
G  
F  
E  
D  
C  
B  
A



J  
I  
H  
G  
F  
E  
D  
C  
B  
A

CHG: SEE SHT 1.  
EC NO: URF2008-0226  
DRAWN: ARROBERTSON 2007/10/22  
CHKD: 2007/10/22  
APPR: JIM ENEER 2007/10/22

QUALITY SYMBOLS  
 = 0  
 = 0

GENERAL TOLERANCES (UNLESS SPECIFIED)	
mm	INCH
4 PLACES ± .005	± .0004
3 PLACES ± .003	± .0002
2 PLACES ± .002	± .0001
1 PLACE ± .001	± .00005
ANGULAR ± 2 °	

DRAFT WHERE APPLICABLE MUST REMAIN WITHIN DIMENSIONS

DIMENSION STYLE	
MM/IN	
DRAWN BY	DATE
AZR	2007/01/17
CHECKED BY	DATE
SSS	2007/01/17
APPROVED BY	DATE
JDW	2007/01/17
MATERIAL NO.	
SEE SHEET 1	

SCALE	DESIGN UNITS	THIRD ANGLE PROJECTION
	METRIC	
TITLE		
BNC JACK, NON-STANDARD INTERF RG179 IP68 75 OHM EWR-3276, BNC-JC/BK		
MATERIAL NO.		
MOLEX INCORPORATED		
DOCUMENT NO.		SHEET NO.
SD-73171-297		2 OF 2
THIS DRAWING CONTAINS INFORMATION THAT IS PROPRIETARY TO MOLEX INCORPORATED AND SHOULD NOT BE USED WITHOUT WRITTEN PERMISSION		

12 11 10 9 8 7 6 5 4 3 2 1