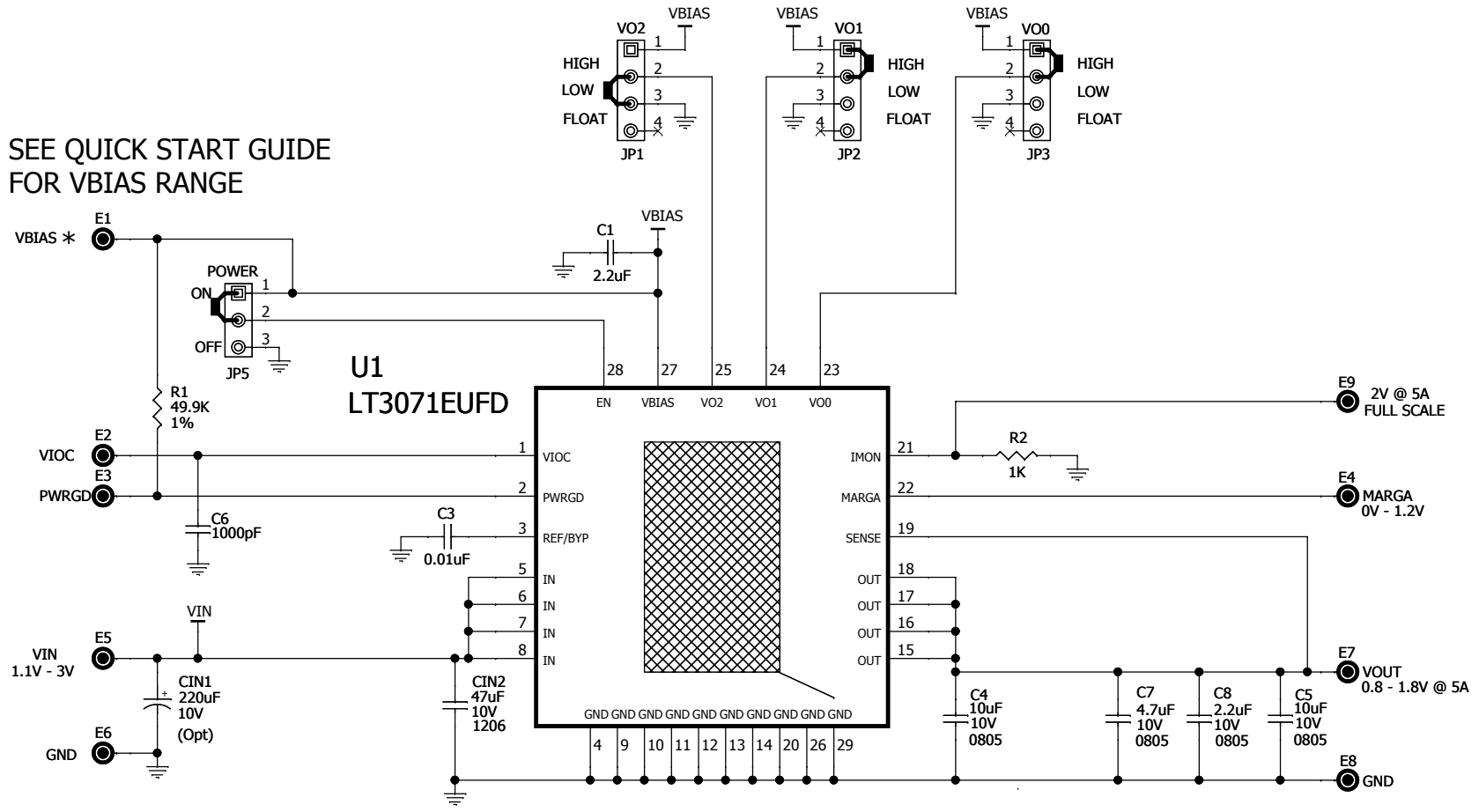


REVISION HISTORY				
ECO	REV	DESCRIPTION	APPROVED	DATE
-	1	PRODUCTION	MOLLY Z.	04/14/10

* SEE QUICK START GUIDE FOR VBIAS RANGE



CUSTOMER NOTICE
 LINEAR TECHNOLOGY HAS MADE A BEST EFFORT TO DESIGN A CIRCUIT THAT MEETS CUSTOMER-SUPPLIED SPECIFICATIONS; HOWEVER, IT REMAINS THE CUSTOMER'S RESPONSIBILITY TO VERIFY PROPER AND RELIABLE OPERATION IN THE ACTUAL APPLICATION. COMPONENT SUBSTITUTION AND PRINTED CIRCUIT BOARD LAYOUT MAY SIGNIFICANTLY AFFECT CIRCUIT PERFORMANCE OR RELIABILITY. CONTACT LINEAR TECHNOLOGY APPLICATIONS ENGINEERING FOR ASSISTANCE.
 C:\PADS PROJECTS\1434A\SCH\1434A_REV1.DSN
 THIS CIRCUIT IS PROPRIETARY TO LINEAR TECHNOLOGY AND SUPPLIED FOR USE WITH LINEAR TECHNOLOGY PARTS.

APPROVALS	
PCB DES.	RZ
APP ENG.	MOLLY Z.
SCALE	NONE

LINEAR TECHNOLOGY

1630 McCarthy Blvd.
 Milpitas, CA 95035 www.linear.com
 Phone: (408)432-1900
 Fax: (408)434-0507
LTC CONFIDENTIAL - FOR CUSTOMER USE ONLY

TITLE: SCHEMATIC	
5A PROGRAMMABLE 85mV DROPOUT REGULATOR	
SIZE N/A	IC NO. LT3071EUFD
DEMO CIRCUIT 1434A	
DATE: Tuesday, August 10, 2010	REV. 1
SHEET 1 OF 1	