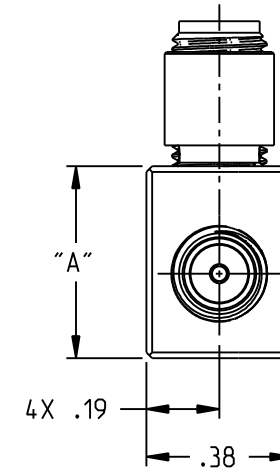
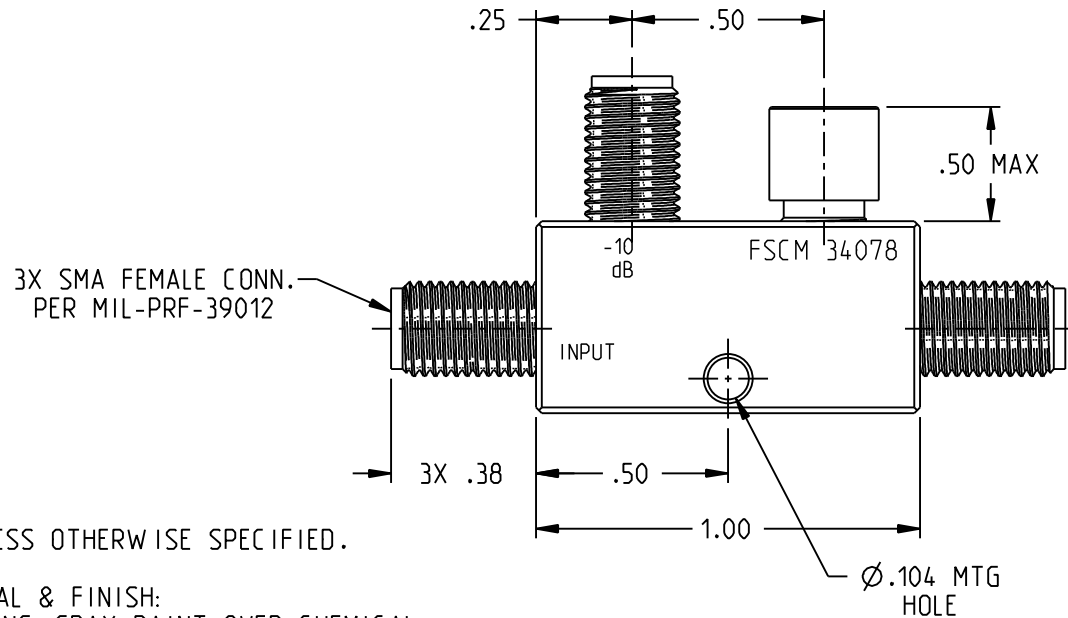


MODEL NUMBER	"A"	COUPLING -XX ±1.0 dB	FREQ. SENSITIVITY	VSWR (MAX)	POWER (WATTS)			WEIGHT (OZ)
					INPUT	REF	PEAK	
CPL-5216-06-SMA-79	.50	6 dB	±0.50 dB	1.35:1	50	4	4,000	.60
CPL-5216-10-SMA-79	.50	10 dB	±0.50 dB	1.40:1	50	10	4,000	.60
CPL-5216-20-SMA-79	.50	20 dB	±0.75 dB	1.45:1	50	50	4,000	.60
CPL-5216-30-SMA-79	.63	30 dB	±0.75 dB	1.45:1	50	50	4,000	.67



NOTES: UNLESS OTHERWISE SPECIFIED.

1. MATERIAL & FINISH:

- 1.1 HOUSING: GRAY PAINT OVER CHEMICAL CONVERSION COATED ALUMINUM
- 1.2 HOUSING (SMA & TERM): PASSIVATED STAINLESS STEEL
- 1.3 DIELECTRIC: PTFE (TEFLON)
- 1.4 CENTER CONTACT: GOLD PLATED BERYLLIUM COPPER
- 1.5 DUST CAPS (NOT SHOWN): POLYETHYLENE

2. SPECIFICATIONS:

- 2.1 FREQUENCY RANGE: 7.0 TO 18.0 GHz
- 2.2 FREQ. SENSITIVITY: SEE TABLE
- 2.3 COUPLING: SEE TABLE
- 2.4 VSWR (MAX): SEE TABLE
- 2.5 INSERTION LOSS (MAX., EXCLUDING COUPLED POWER): 0.50 dB
- 2.6 DIRECTIVITY (MIN): 15 dB
- 2.7 POWER: SEE TABLE
- 2.8 RF IMPEDANCE: 50 OHMS

CPL-5216-10-SMA-79 SHOWN



<p>This PROPRIETARY Document is property of Cinch Connectivity Solutions. It is confidential in nature, non-transferable, and issued with the clear understanding that it is not traced or copied without permission and is returnable upon demand.</p> <p>INTERPRET DRAWING IN ACCORDANCE WITH ASME Y14.5-2009.</p>		<b>MIDWEST MICROWAVE</b>	
		<b>Title: DIRECTIONAL COUPLER</b>	
<small>UNLESS OTHERWISE SPECIFIED UNITS: INCH</small>		<b>Model No. CPL-5216-XX-SMA-79</b>	
<b>.XX ±.02</b> <b>.XXX ±.010</b> <b>ANGLES ±2°</b>	<b>Size A</b>	<b>DO NOT SCALE DRAWING</b>	<b>Date: 5/10/2016</b>
		<b>Sheet 1 OF 1</b>	