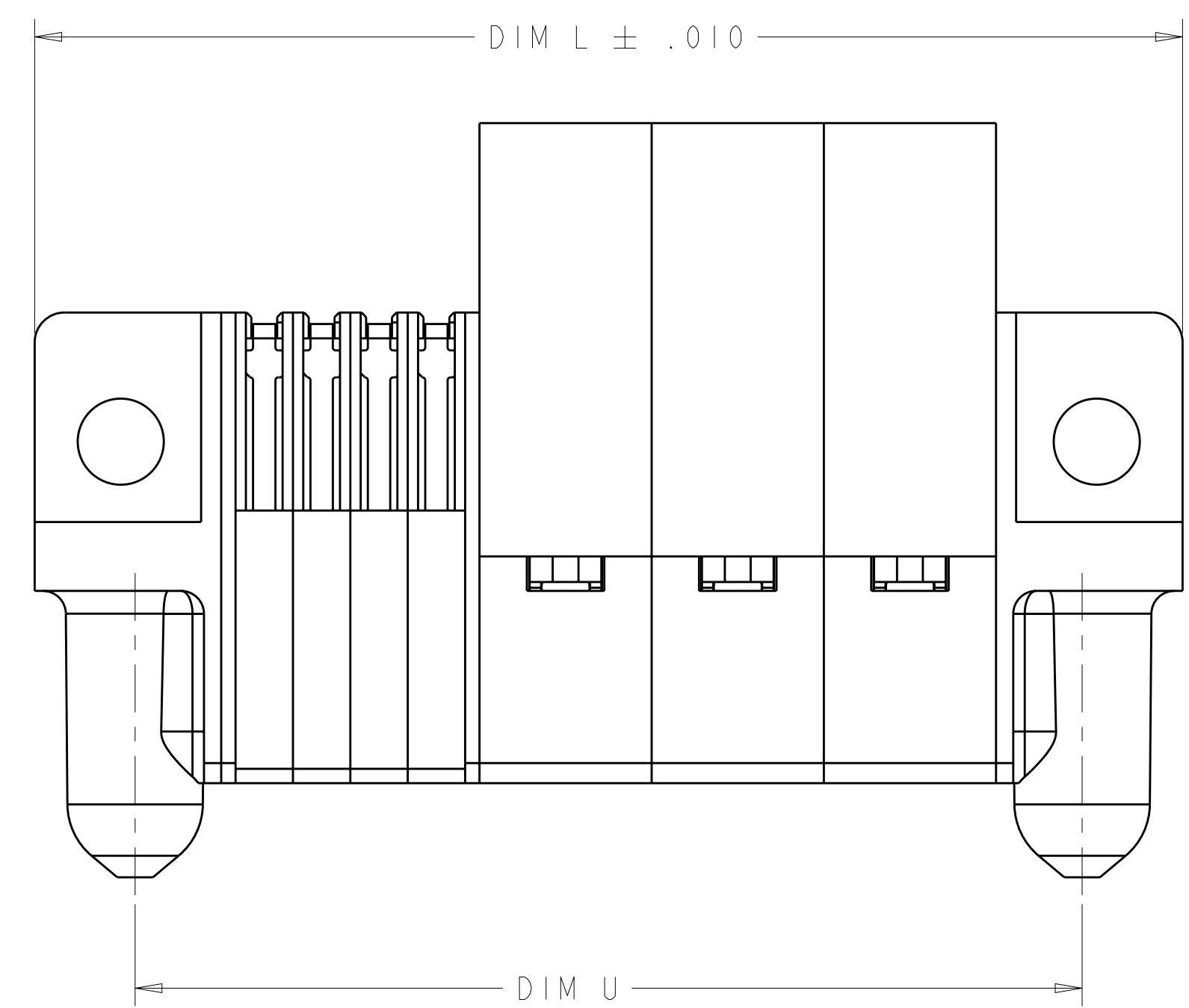
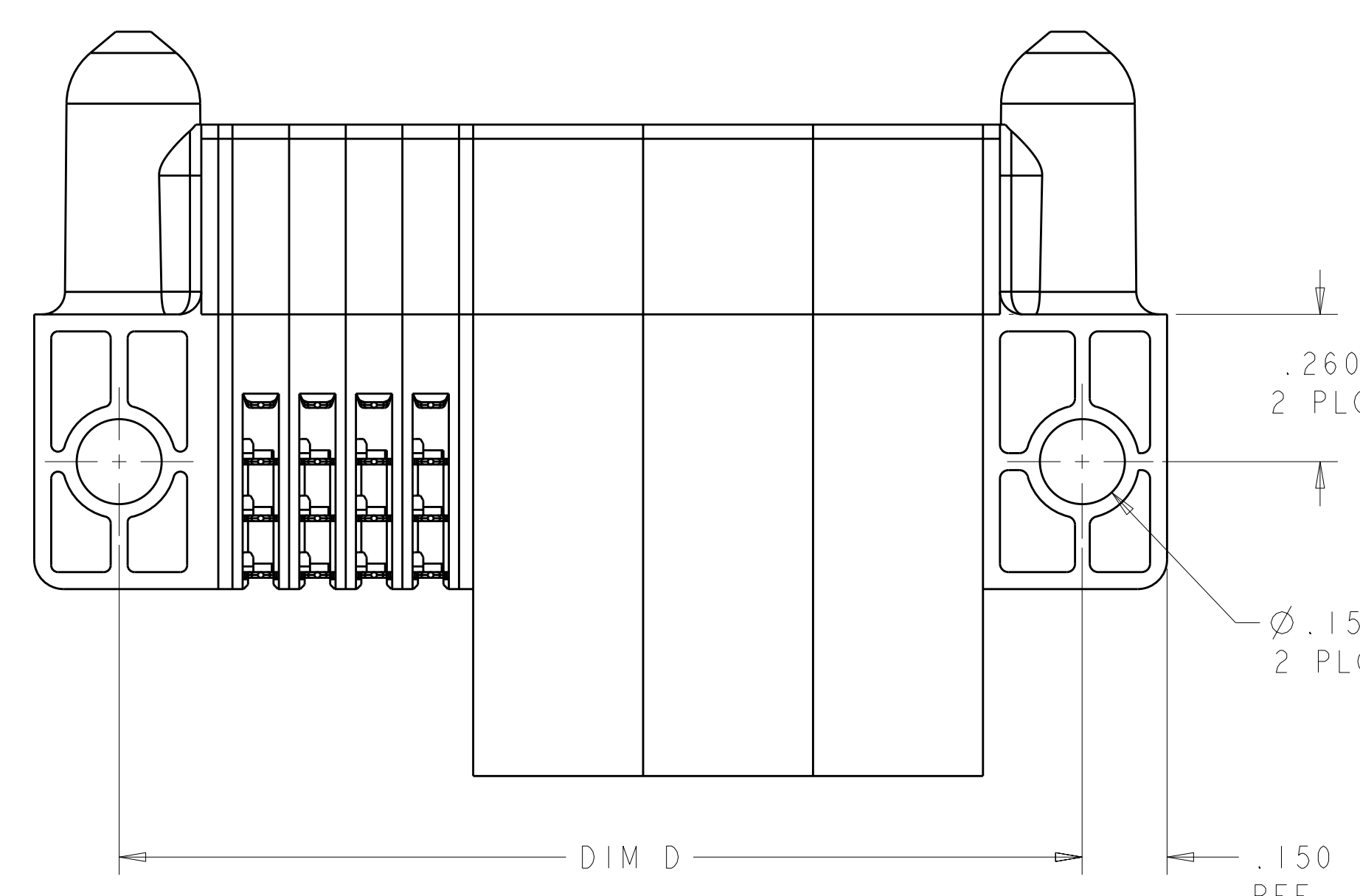
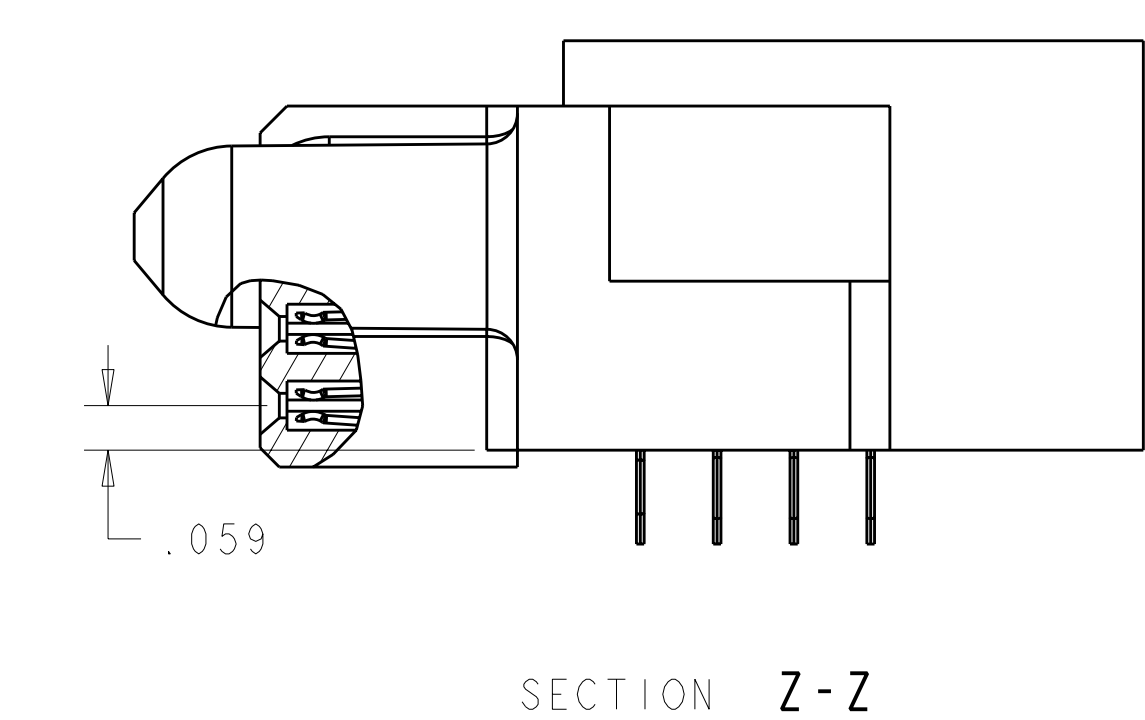
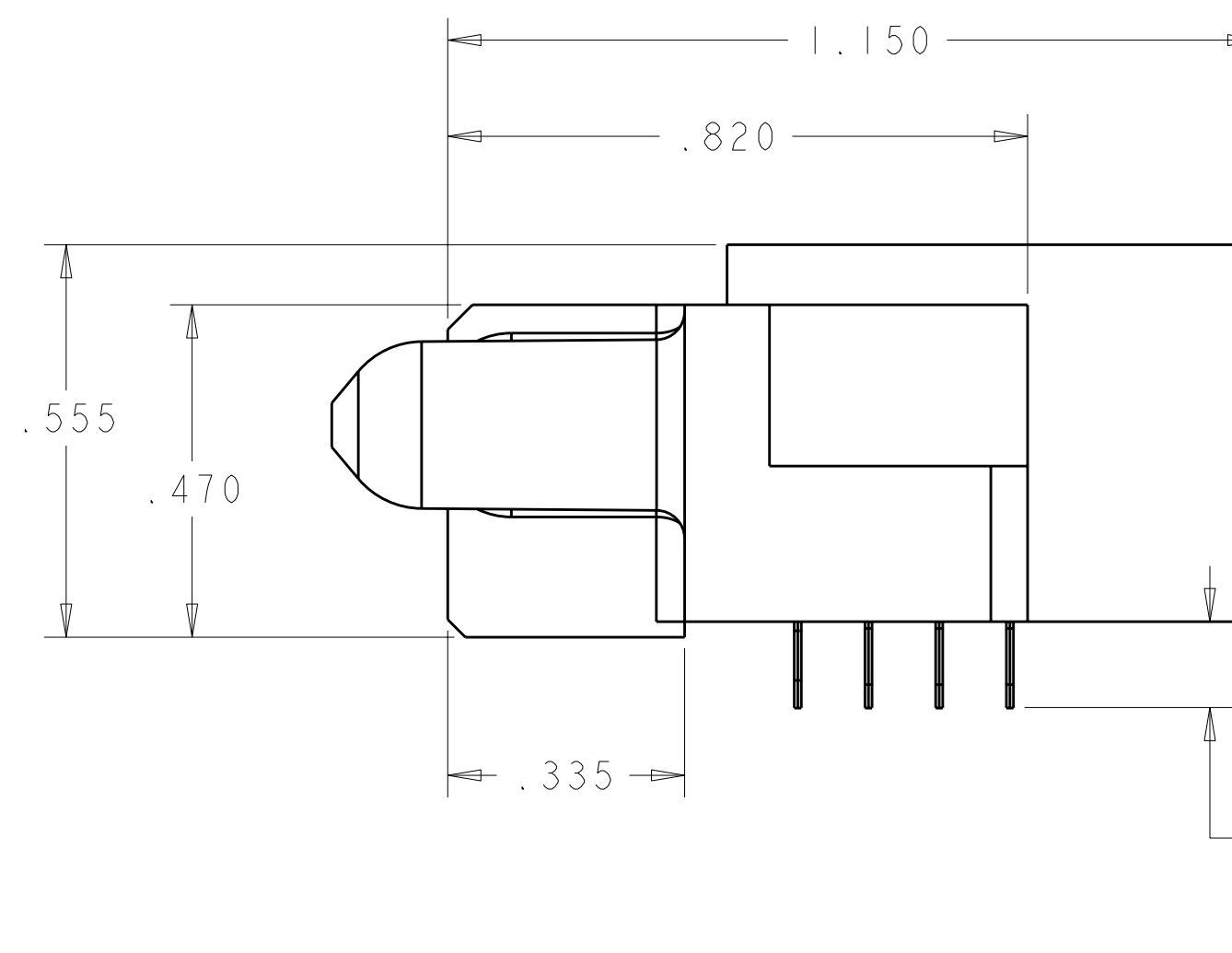
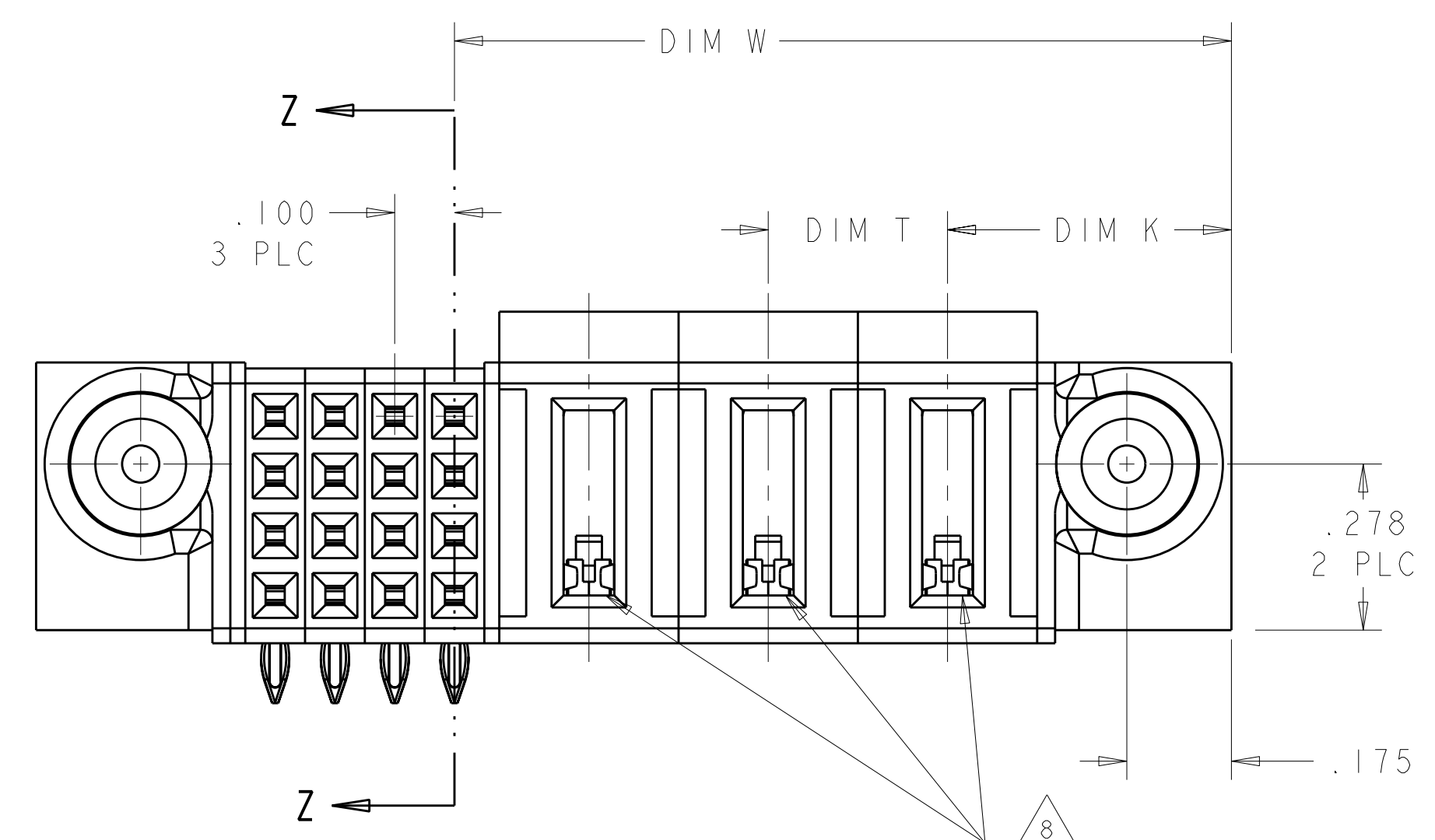


LOC	DIST	REVISIONS					
ES	00	P	LT#	DESCRIPTION	DATE	DWN	APVD
		A		REV PER ECR-06-021202	6SEP2006	DZ	SY
		A2		REVISED	01APR2011	1L	SZ
		A3		REV PER ECR-11-007251	07APR2011	1L	SZ



- ① "AMP", PART NUMBER AND DATE CODE TO BE MARKED
- ② MATERIAL: HOUSING - GLASS FILLED HIGH TEMP THERMO PLASTIC, UL94 V-0.
 SIGNAL CONTACT - HIGH CONDUCTIVITY COPPER ALLOY
 POWER CONTACT - HIGH CONDUCTIVITY COPPER ALLOY
- ③ CONTACT PLATING: SIGNAL CONTACTS - .000050 MIN Ni UNDER ALL.
 .000030 MIN Au ON CONTACT AREA. .000100 MIN Sn AT PCB INTERFACE.
 POWER CONTACTS - .000050 MIN Ni UNDER ALL.
 .000030 MIN Au ON CONTACT AREA. .000100 MIN Sn AT PCB INTERFACE.
- ④ MECHANICAL CONNECTOR KEEP OUT ZONE.
- ⑤ DATUM AND BASIC DIMENSIONS ESTABLISHED BY CUSTOMER.
- ⑥ PCB - ALL HOLE DIAMETERS ARE FINISHED HOLE SIZES
- ⑦ PCB - .0453±.0010 DRILLED HOLES PLATED WITH .0003 MIN Sn OVER .001 TO .003 Cu PLATING TO ACHIEVE A .040 DIAMETER HOLE
- ⑧ A/C POWER CABLE CONTACT LOADED IN THESE CAVITIES.
- ⑨ VARIABLE DIMENSIONS SHOW ON PAGE 2

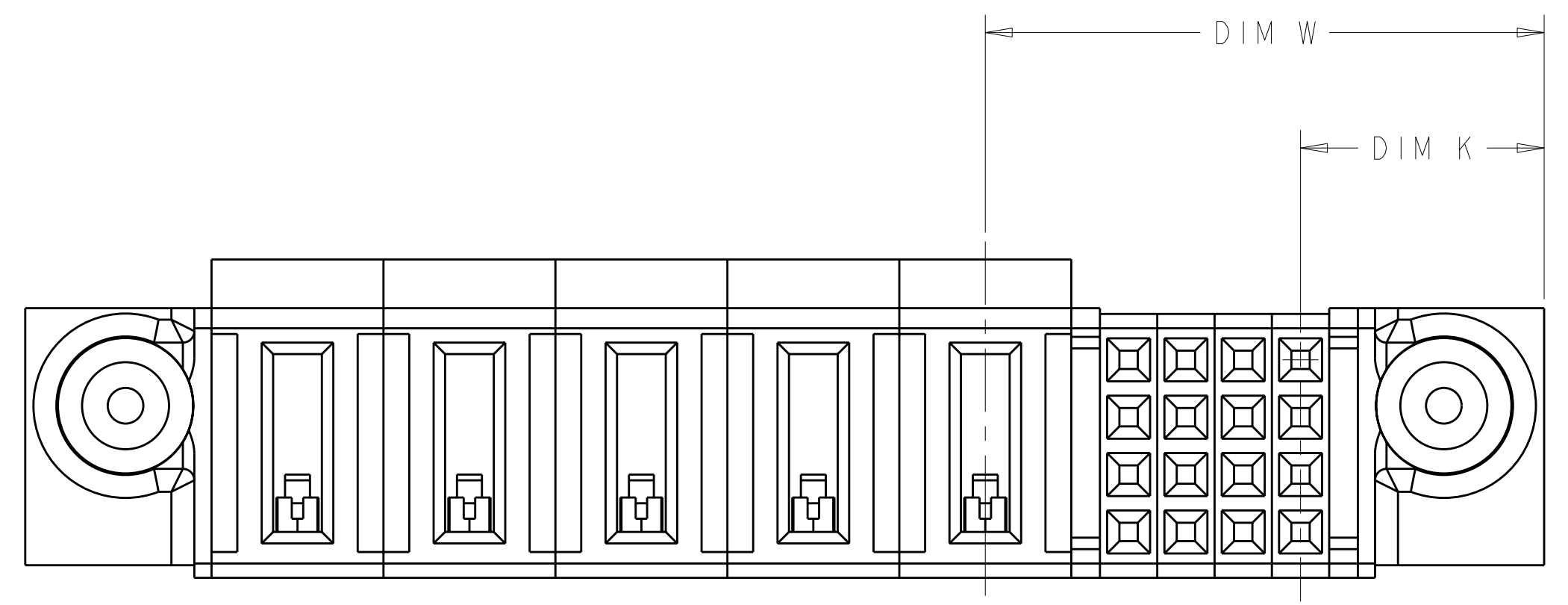


.300	2.350	.425 ^⑨	.925 ^⑨	2.300	2.650	16S + 5ACP	6450668-2
.300	1.700	.475	1.300	1.650	2.000	3ACP + 16S	6450668-1
DIM T	DIM D	DIM K	DIM W	DIM U	DIM L	DESCRIPTION	PART NUMBER

DIMENSIONS: INCHES TOLERANCES UNLESS OTHERWISE SPECIFIED: 9 PLC ±.01 1 PLC ±.01 2 PLC ±.01 3 PLC ±.005 4 PLC ±.0020 ANGLES ±.02°		DWN DENNY ZHU 6SEP2006 CHK S. ZHAO 6SEP2006 APVD S. YAO PRODUCT SPEC 108-1973 APPLICATION SPEC 114-13038 WEIGHT CUSTOMER DRAWING		Tyco Electronics Shanghai, P.R.China. 200233 NAME: RIGHT ANGLE RECEPTACLE ASSEMBLY A/C PASS THRU W/GUIDES MULTI-BEAM XL SIZE: CAGE CODE: DRAWING NO: 00779 SCALE: 4:1 SHEET 1 OF 4 REV A3	
---	--	--	--	---	--

THIS DRAWING IS UNPUBLISHED. RELEASED FOR PUBLICATION 20
 © COPYRIGHT 20 BY TYCO ELECTRONICS CORPORATION. ALL RIGHTS RESERVED.

LOC		DIST		REVISIONS			
ES	00	P	LTB	DESCRIPTION	DATE	DWN	APVD
		-	-	SEE SHEET 1	-	-	-

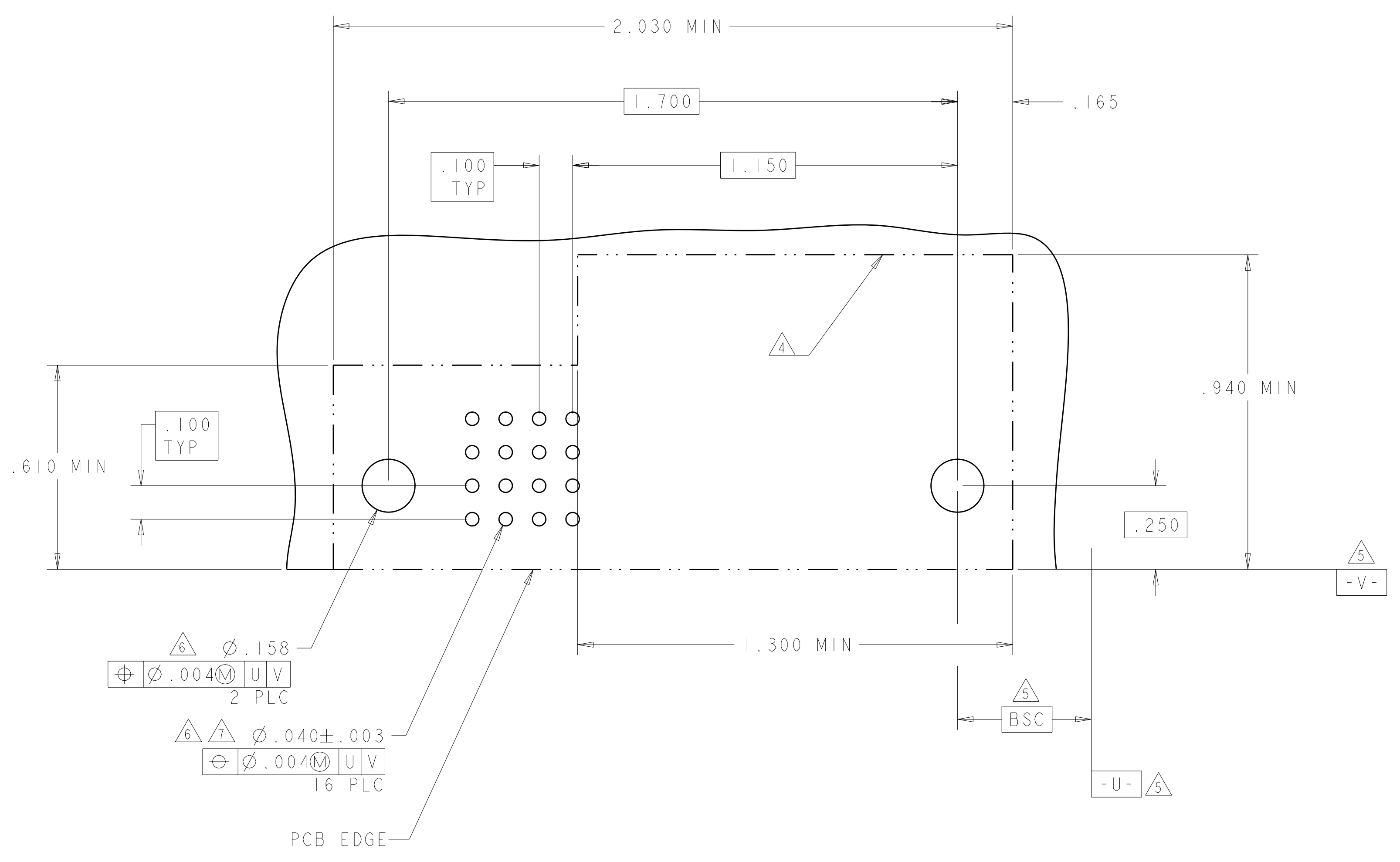
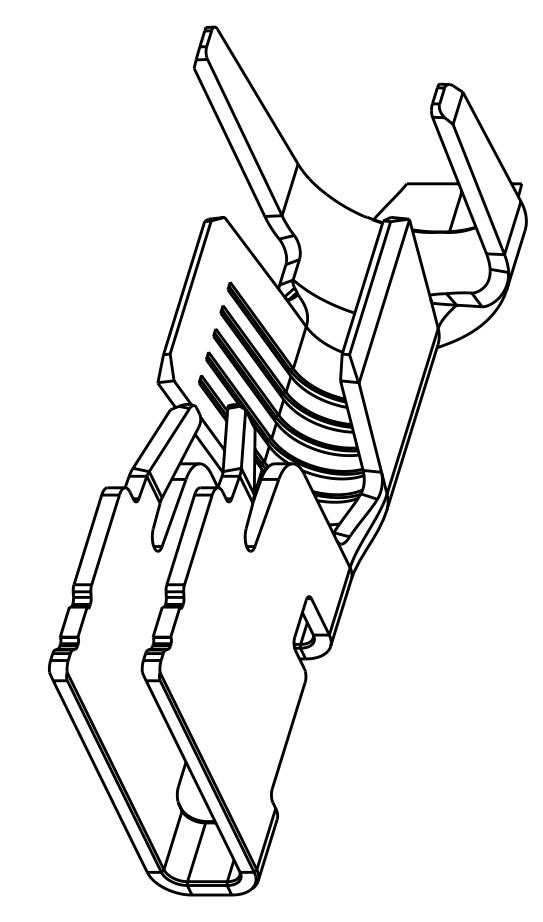


6450668-2

<small>THIS DRAWING IS UNPUBLISHED. RELEASED FOR PUBLICATION 20 © COPYRIGHT 20 BY TYCO ELECTRONICS CORPORATION. ALL RIGHTS RESERVED.</small>		DWN DENNY ZHU 6SEP2006 CHK S. ZHAO 6SEP2006 APVD S. YAO	Tyco Electronics Shanghai, P.R.China. 200233
DIMENSIONS: INCHES	TOLERANCES UNLESS OTHERWISE SPECIFIED: 9 PLC ±. 1 PLC ±. 2 PLC ±.01 3 PLC ±.01 4 PLC ±.005 5 PLC ±.0020 ANGLES ±2° FINISH	NAME RIGHT ANGLE RECEPTACLE ASSEMBLY A/C PASS THRU W/GUIDES MULTI-BEAM XL	SIZE CAGE CODE DRAWING NO A 00779 C=6450668
MATERIAL -	FINISH -	WEIGHT - CUSTOMER DRAWING	RESTRICTED TO - SCALE 4:1 SHEET 2 OF 4 REV A3

LOC	DIST	REV	DATE	BY	APPD
ES	00				
REVISIONS			DESCRIPTION	DATE	BY
			SEE SHEET 1		

PART NUMBER	ROWS	SIGNAL				POWER		
		4	3	2	1	P3	P2	P1
6450668-1	D	D	D	D	D	STD	STD	STD
	C	C	C	C				
	B	B	B	B				
	A	A	A	A				
3ACP + 16S								

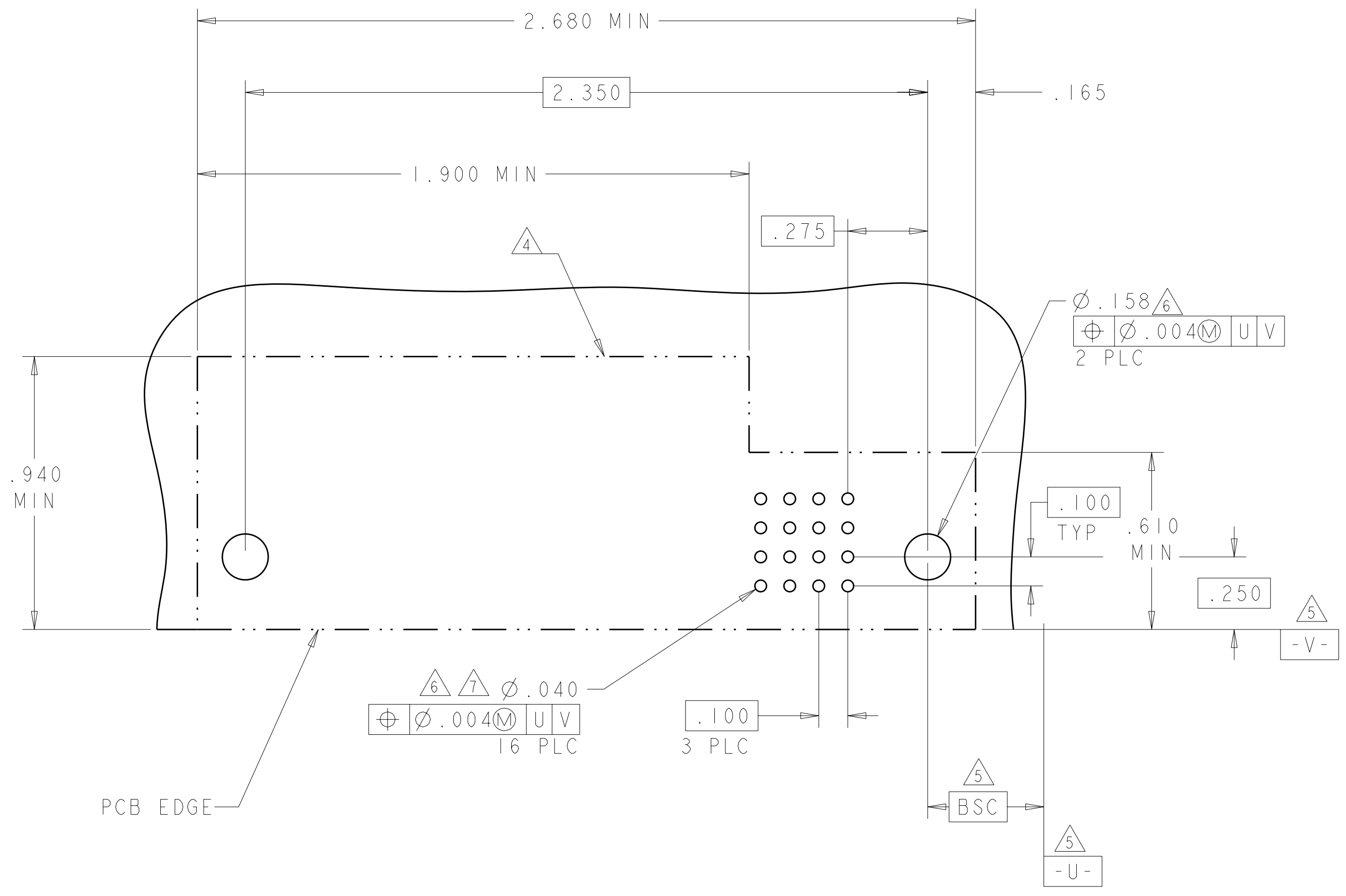


CODE	DESCRIPTION	ROW
D	SIGNAL CONTACT, PRESS-FIT	D
C	SIGNAL CONTACT, PRESS-FIT	C
B	SIGNAL CONTACT, PRESS-FIT	B
A	SIGNAL CONTACT, PRESS-FIT	A

<small>THIS DRAWING IS UNPUBLISHED. RELEASED FOR PUBLICATION. COPYRIGHT 20 BY TYCO ELECTRONICS CORPORATION, ALL RIGHTS RESERVED.</small> <small>THIS IS SUBJECT TO CHANGE WITHOUT NOTICE AND WITHOUT OBLIGATION. DIMENSIONS SHALL BE CONTACTED FOR THE LATEST REVISION.</small>		DWN 6SEP2006 CHK S.ZHAO APVD S.YAO	Tyco Electronics Shanghai, P.R.China. 200233
DIMENSIONS: INCHES	TOLERANCES UNLESS OTHERWISE SPECIFIED: 9 PLC ±. 1 PLC ±.01 2 PLC ±.01 3 PLC ±.005 4 PLC ±.0020 ANGLES ±.2°	NAME S. YAO PRODUCT SPEC 108-1973 APPLICATION SPEC 114-13038 WEIGHT CUSTOMER DRAWING	NAME RIGHT ANGLE RECEPTACLE ASSEMBLY A/C PASS THRU W/GUIDES MULTI-BEAM XL SIZE CAGE CODE DRAWING NO. RESTRICTED TO A 00779 C-6450668 SCALE 4:1 SHEET 3 OF 4 REV A3

LOC	DIST	REVISIONS			
ES	00	REV	DATE	BY	APPD
-	-	SEE SHEET 1	-	-	-

PART NUMBER	ROWS	POWER					SIGNAL			
		P5	P4	P3	P2	P1	4	3	2	1
6450668-2	D	STD	STD	STD	STD	STD	D	D	D	D
	C						C	C	C	
	B						B	B	B	
	A						A	A	A	
16S + 5ACP										



DIMENSIONS:		TOLERANCES UNLESS OTHERWISE SPECIFIED:		DRAWING NO	
INCHES	9 PLC ±	108-1973	114-13038	00779	6450668
	1 PLC ±.01	108-1973	114-13038	00779	6450668
	2 PLC ±.01	108-1973	114-13038	00779	6450668
	3 PLC ±.005	108-1973	114-13038	00779	6450668
	4 PLC ±.0020	108-1973	114-13038	00779	6450668
	ANGLES ±.2°	108-1973	114-13038	00779	6450668
MATERIAL	FINISH	WEIGHT	SCALE	SHEET	REV
-	-	-	4:1	4 OF 4	A3