

NOTES:

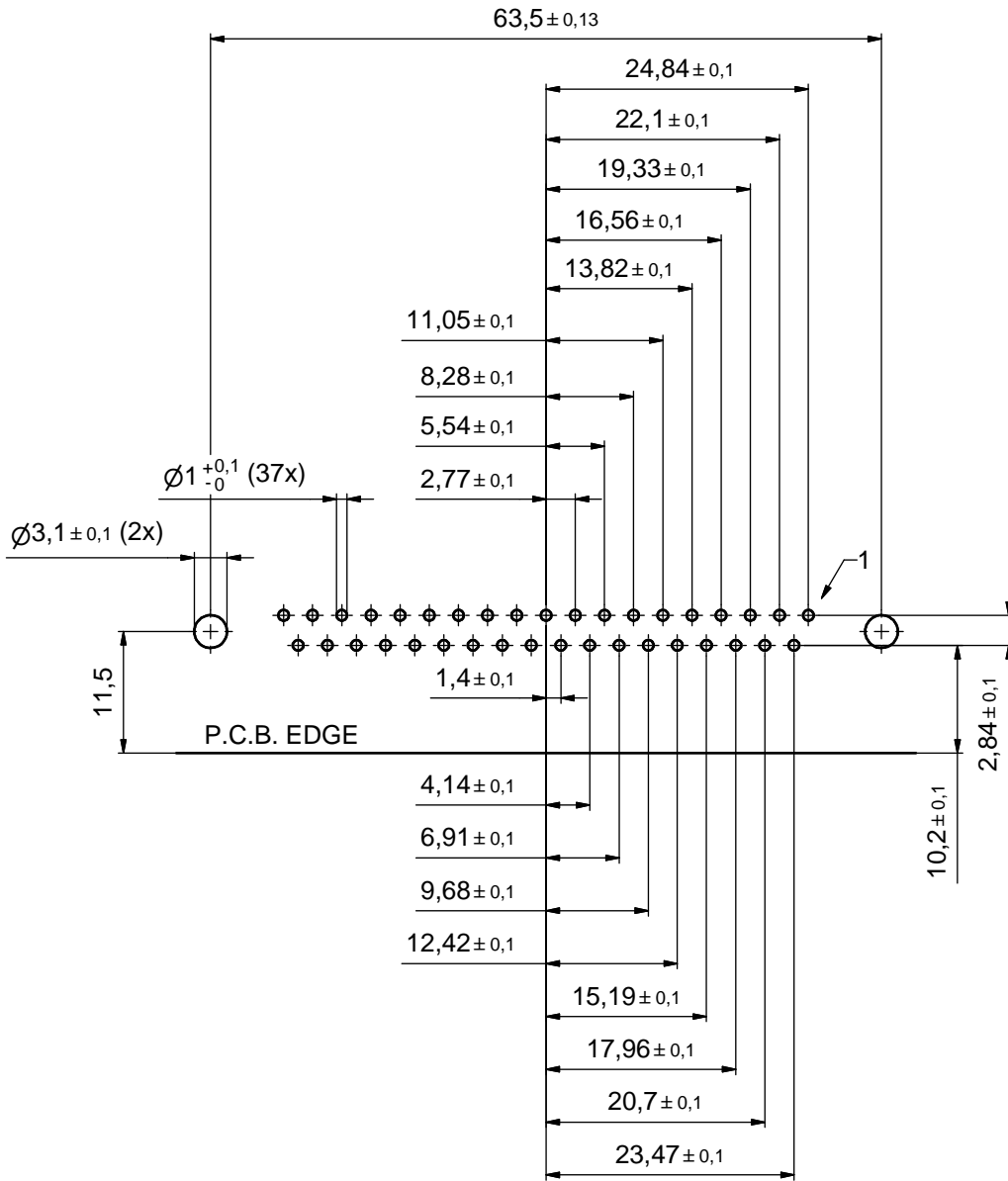
1. RoHS COMPLIANT
2. SUITABLE FOR WAVESOLDERING (SOLDER BATH TEMPERATURE 260°C FOR 5 SEC. AND SOLDER PREHEAT 100°C FOR 30 SEC.)
3. METALSHELLS: STEEL; min. 315µin TIN over 40-80µin NICKEL
4. INSULATOR: HIGH TEMPERATURE PLASTIC UL 94 V-0; BLACK
5. CONTACTS: COPPER ALLOY
PLATING: 8µin HARD GOLD over min. 50µin NICKEL
CONTACT TAILS PRETINNED
6. METAL BRACKETS: ZINC DIE CAST; 300µin COPPER/40-120µin NICKEL/120-200µin TIN
7. THREADED INSERTS: COPPER ALLOY; min. 200µin TIN over 80µin NICKEL
8. PCB-SNAPS: COPPER ALLOY; min. 200µin TIN over 80µin NICKEL
PCB-HOLE: $\varnothing 3,1 \pm 0,1$; PCB THICKNESS 1,6mm
9. CAPACITANCE: 830pF $\pm 20\%$
10. DIELECTRIC WITHSTANDING VOLTAGE: 424 VDC
11. P.C.B. HOLE DRILLINGS ON SHEET 2
12. MAXIMUM TORQUE VALUE FOR THREAD: 6 in.LB
13. CONNECTOR IS PART MARKED: 242A25410X CONEC ABC

Directive 2002/95/EC
RoHS
Compliant

APPROVAL # FREIGABE # DEBLOCAGE # AUTORIZACION # APPROVAL	
CUSTOMER APPROVAL DATE:	
NAME:	TITLE:
COMPANY NAME:	
APPROVAL # FREIGABE # DEBLOCAGE # AUTORIZACION # APPROVAL	

THIS DRAWING MAY NOT BE COPIED OR REPRODUCED IN ANY WAY, AND MAY NOT BE PASSED ON TO A THIRD PARTY WITHOUT WRITTEN PERMISSION. OWNERSHIP AND COPYRIGHT OF CONEC GmbH				tolerance		dim. in mm	scale: 2:1 (5:1)	
				date			material: SEE NOTES	
DO NOT ALTER CAD DRAWING BY HAND				drawn	25.03.10	Lehmenkühler	title: D-SUB LC FILTER FEMALE 90° 37pos. SOLDER PIN ANGLED 0.370inch with threaded insert, metal bracket, snap, ferrite	
				appd.	26.03.10			
a Origin				norm			dwg no: Inventor 10	
				rev.	description	date	name	24K1A1241
							DIN-A3	
								sh: 1
						part no: 242A25410X		

scale: 2:1 (5:1)	
material: SEE NOTES	
title: D-SUB LC FILTER FEMALE 90° 37pos. SOLDER PIN ANGLED 0.370inch with threaded insert, metal bracket, snap, ferrite	
dwg no: Inventor 10	
24K1A1241	
part no: 242A25410X	



P.C.B. HOLE DRILLINGS
(P.C.B. TOP SIDE)

APPROVAL # FREIGABE # DEBLOCAGE # AUTORIZACION # APPROVAL	
CUSTOMER APPROVAL DATE:	
NAME:	TITLE:
COMPANY NAME:	
APPROVAL # FREIGABE # DEBLOCAGE # AUTORIZACION # APPROVAL	

THIS DRAWING MAY NOT BE COPIED OR REPRODUCED IN ANY WAY AND MAY NOT BE PASSED ON TO A THIRD PARTY WITHOUT WRITTEN PERMISSION. OWNERSHIP AND COPYRIGHT OF CONEC GmbH				tolerance		dim. in mm	
DO NOT ALTER CAD DRAWING BY HAND				date	name		
rev.	description	date	name	drawn	25.03.10	Lehmenkühler	
a	Origin			appd.	26.03.10	Fischer	
				norm			
				d-old			
				CONEC ®			

scale: 2:1	
material: SEE SHEET 1	
title: P.C.B. HOLE DRILLINGS	
D-SUB FILTER FEMALE 90°37pos. 0.370inch with threaded insert, metal bracket, snap, ferrite	
dwg no:	Inventor 10
24K1A1241	
part no:	SEE SHEET 1
DIN-A3	sh: 2