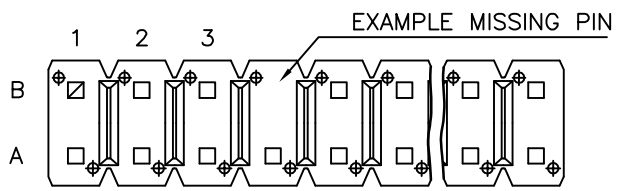
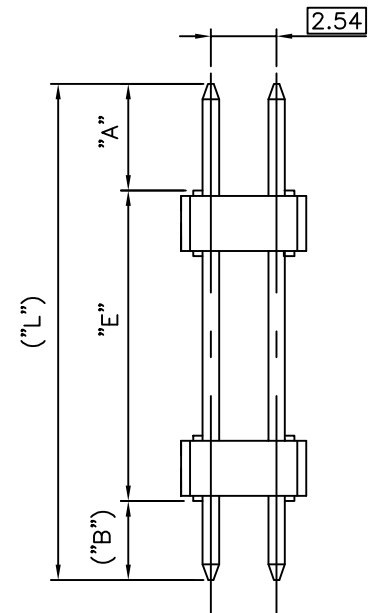
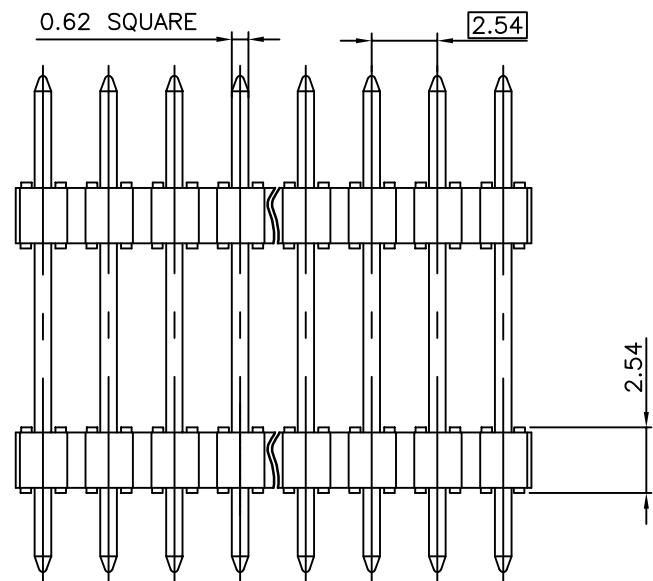
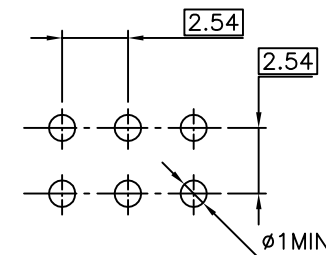
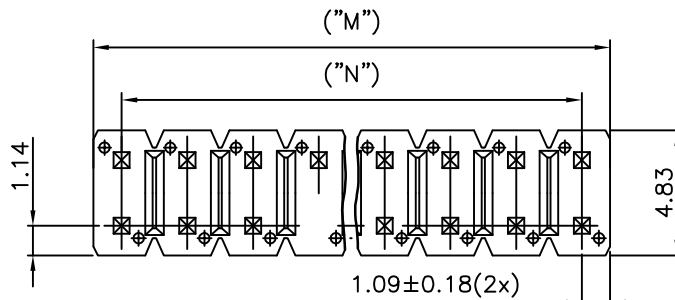


PRODUCT NUMBER
87690-YXXRLF

WHEN REQUIRED, ADD SUFFIX LETTER "LF"
INDICATES THE PRODUCT IS RoHS
COMPATIBLE, SEE NOTE 6

OPTION, NOTE 4.

PLATING — PIN STYLE, SHEET 2.



BOTTOM VIEW

NOTES:

1. HOUSING MAT'L : HIGH TEMPERATURE THERMOPLASTIC. UL94V-0 COLOR: BLACK.
2. PIN MATERIAL : PHOSPHOR BRONZE.
3. 12N MIN RETENTION IN EITHER DIRECTION.
4. FOR RETENTION FEATURE DETAILS, SEE SHEET 3. OMIT IF FEATURE NOT APPLICABLE
5. STANDARD PACKAGING IN POLYBAGS.
6. RoHS COMPATIBLE PRODUCT SPECIFICATIONS
 - a - PLATING:
 - "LF" MEANS THE PRODUCT IS LEAD-FREE, 2µm MINIMUM MATTE TIN OVER 1.27µm MINIMUM NICKEL UNDERPLATE.
 - b - MANUFACTURING PROCESS COMPATIBILITY
 - THE HOUSING WILL WITHSTAND EXPOSURE TO 260°C ±5°C SOLDER BATH TEMPERATURE FOR 5 SECONDS IN A WAVE SOLDER APPLICATION WITH A 1.6mm MIN THICK CIRCUIT BOARD.
 - c - LABELING:
 - MEETS PACKAGING SPECS AS PER GS-14-920
 - d - LEGAL STATEMENT: SEE GS-22-008

mat'l. code SEE NOTES		surface ISO 1302	tolerance ISO 406 ISO 1101	projection mm	product family BSTIK
ltr	ecn no	dr	date	title	
V	F12-0043	LMU	12.05.02	HEADER STR,DR DOUBLE BODY POL	
P		F70815	OMA	97.12.23	scale 5:1
R	F80321	JMC	98.05.04	dr	O. MATHEVON 96.06.07
S	F03094	JCO	03.04.15	engr	COMPAGNON J 96.06.07
T	F05-029	JCO	05.11.14	chr	JMC 96.06.07
U	F06-0196	LMU	06.06.20	appd	JMC 96.06.07
sheet index	revision sheet	V	S	G	
		1	2	3	



Copyright FCI

PRODUCT NUMBER	PRODUCT DIMENSIONS							VIEW OF MISSING PINS POSITION FROM BOTTOM VIEW							
	NBR POS	"A" ±0.2	"E" ±0.25	"B" ±0.25	("L") REF	("M") REF	("N") REF	1	5	10	15	20	25	30	35
87690-X01	2x 20	3.15	23	3.15	29.31	50.8	48.26								
87690-X02	2x 9	12.2	9.25	6.96	28.41	22.86	20.82								
87690-X04	2x 28	3.14	19.76	3.14	26.04	71.12	68.58								
87690-X07	2x 10	11.96	18.5	3.2	33.66	25.4	22.86								
87690-X08	2x 20	21.4	20	3.05	44.45	50.8	48.26								
87690-X09	2x 15	11.96	18.5	3.2	33.66	38.1	35.56								
87690-X10	2x 10	11.96	18.5	3.2	33.66	25.4	22.86								
87690-X12	2x 12	6.9	10.7	3.05	20.65	30.48	27.94								
87690-X13	2x 03	11.96	18.5	3.2	33.66	7.62	5.08								
87690-X14	2x 05	11.96	18.5	3.2	33.66	12.7	10.16								
87690-X15	2x 07	11.96	18.5	3.2	33.66	17.78	15.24								
87690-X16	2x 20	26.4	15	3.05	44.45	50.8	48.26								
87690-X17	2x 18	6.00	9.5	3.05	18.5	45.72	43.18								
87690-X18	2x 09	4.95	6.00	4.95	15.90	22.86	20.82								

A

A

B

B

C

C

D

D



FCIconnect.com

Copyright FCI

mat'l. code		surface <input checked="" type="checkbox"/> ISO 1302		tolerance <input checked="" type="checkbox"/> ISO 406 <input type="checkbox"/> ISO 1101		projection		product family BSTIK	
ltr	ecn no	dr	date	tolerances unless otherwise specified				title	
M	F80321	JMC	98.05.04	angles	linear	mm		HEADER STR,DR	
N	F03094	JCO	03.04.15			scale N/A		DOUBLE BODY POL	
P	F05-029	JCO	05.11.14					dwg no	
R	F06-0196	LMU	06.06.20	dr	O. MATHEVON	96.06.07			sheet 2 of -
S	F12-0043	LMU	12.05.02	enrg	JMC	96.06.07	87690		A3
L	F60844	JMC	96.11.25	appd	JMC	96.06.07	type CUSTOMER		Drawing
sheet index	revision sheet								



FCIconnect.com

Copyright FCI

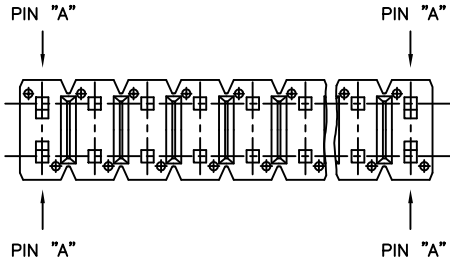
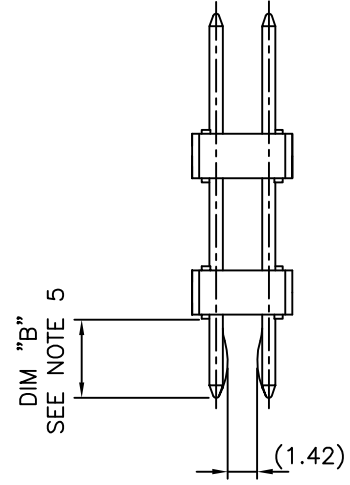
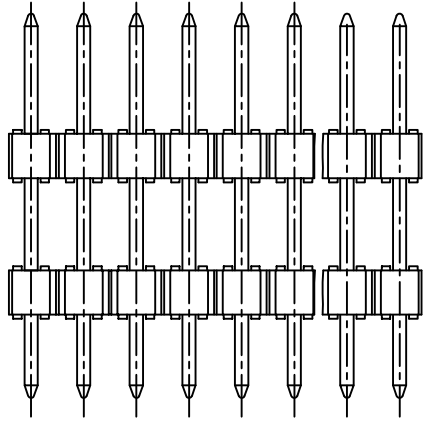
1 2 3 4 5 6

A

B

C

D



NOTES:

- 1 - PART NUMBER 87690-YXX
- 2 - PINS "A" USED FOR RETENTION.
- 3 - DIRECTION OF RETENTION SHOWN BY ARROWS.
- 4 - KINKED LEGS LOCATION CAN BE MOVED IF A PIN IS MISSING.
- 5 - RETENTION VERSION ONLY AVAILABLE WHEN DIM "B" IS BETWEEN 2.9 mm AND 3.5 mm.
- 6 - 2 AND 3 POSN KINKED HEADER ARE NOT AVAILABLE.

"R" INDICATES A RETENTION HEADER.

mat'l. code		surface		tolerance		projection		product family	
		ISO 1302		ISO 406 ISO 1101				BSTIK	
ltr		ecn no		date		tolerances unless otherwise specified		title	
A		F60421		OMA 96.06.07		angles linear		mm	
B		70102		JMC 97.01.10				scale N/A	
C		F70179		JMC 97.03.28					
D		F70815		OMA 97.12.23		dr		O. MATHEVON 96.06.07	
E		F80321		JMC 98.05.04		enr		JMC 96.06.07	
F		F05-029		JCO 05.11.14		chr		JMC 96.06.07	
G		F06-0196		LMU 06.06.20		appd		JMC 96.06.07	
sheet index		revision sheet							

HEADER STR,DR DOUBLE BODY POL

87690

CUSTOMER Drawing