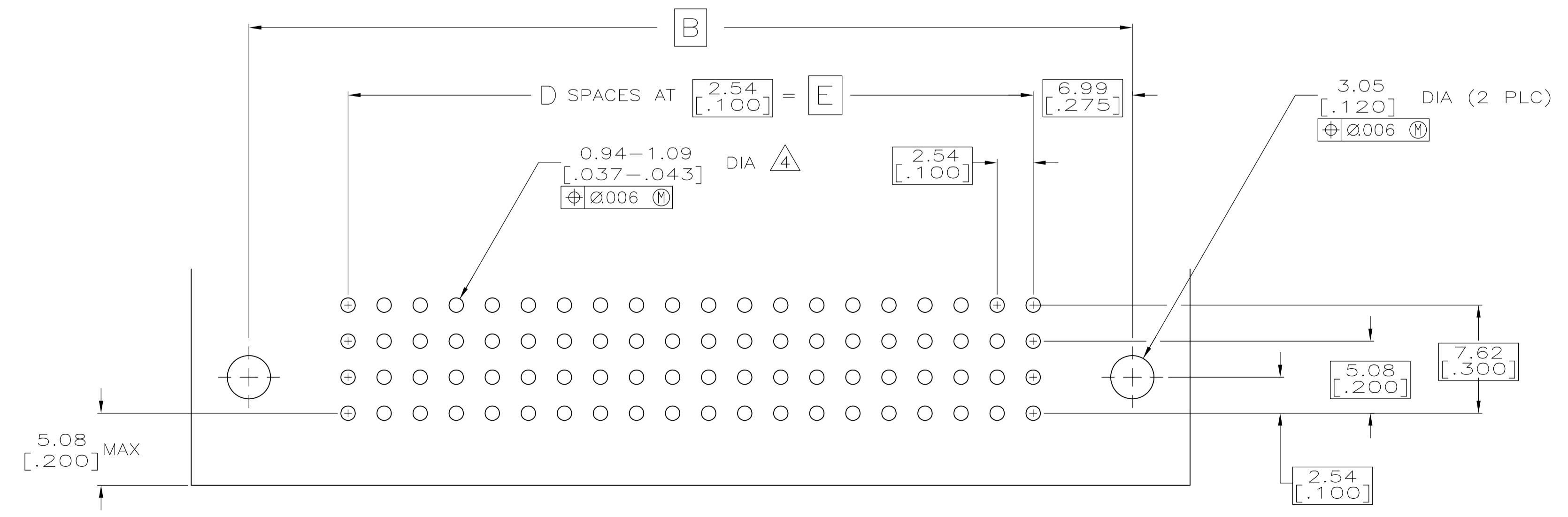
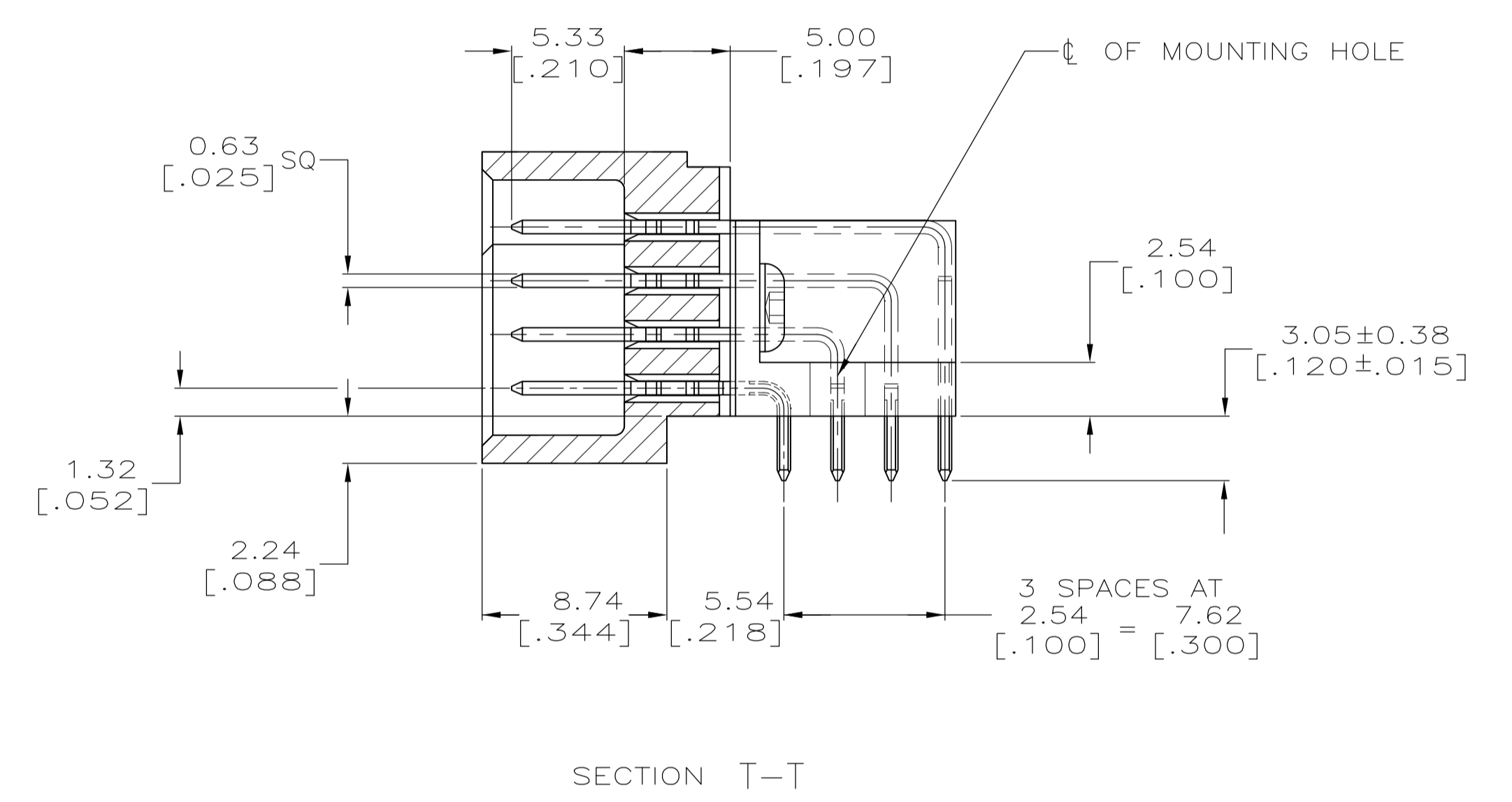
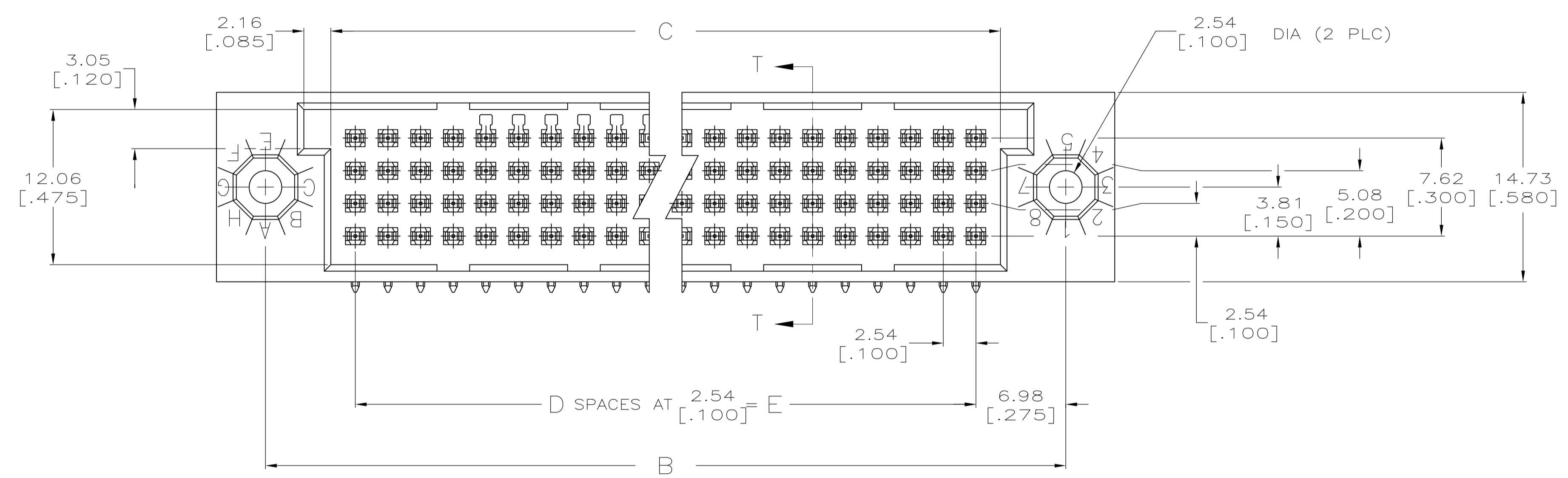
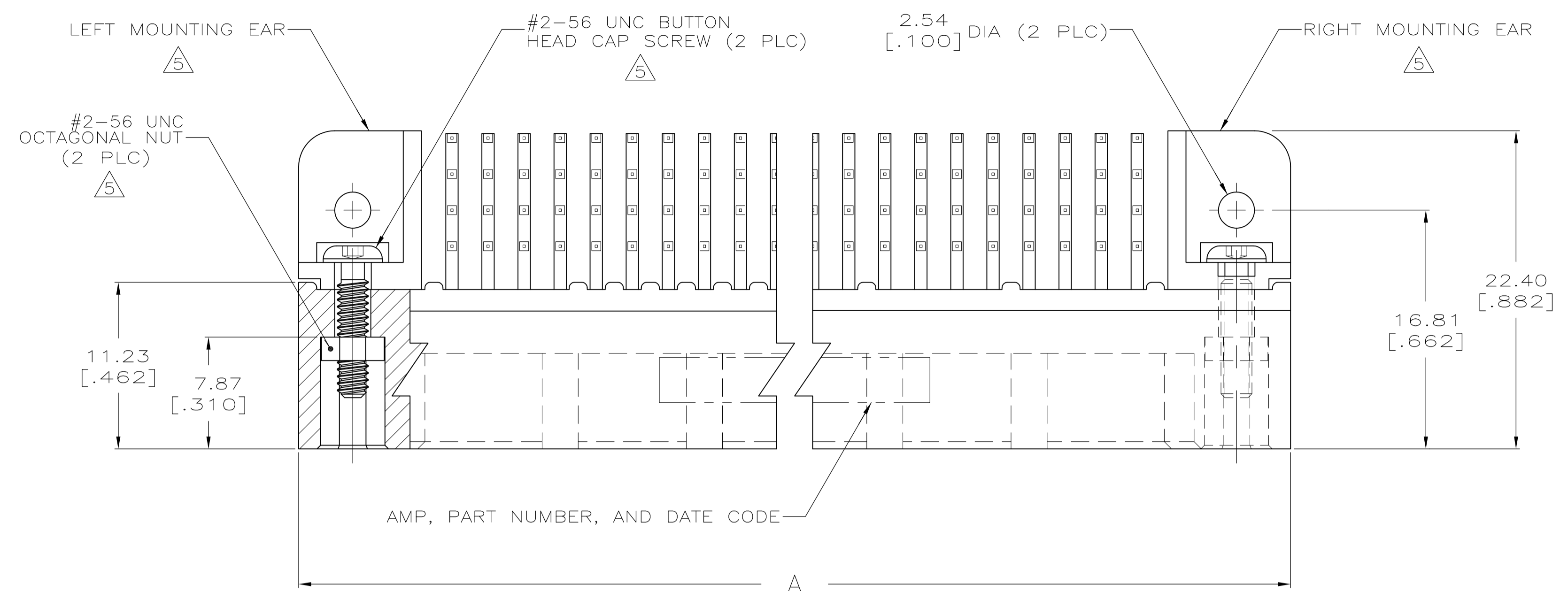


REVISIONS					
P	LTR	DESCRIPTION	DATE	DWN	APVD
V		REVISED PER ECO-15-015252	13NOV15	BJ	FY



RECOMMENDED P.C. BOARD LAYOUT

THIS DRAWING IS A CONTROLLED DOCUMENT.		DIN R.K. SEIFRIED 05/14/90	TE Connectivity	
DIMENSIONS: mm [INCHES]		CHK G.SKIPPER 01/22/92		
TOLERANCES UNLESS OTHERWISE SPECIFIED:		APVD G.SKIPPER 01/22/92	NAME ASSY,HDI,4 ROW,RIGHT ANGLE PIN	
0 PLC ± - 1 PLC ± - 2 PLC ± - 3 PLC ± 0.13 [.005] 4 PLC ± - ANGLES ± -		PRODUCT SPEC	3.05 [.120] LONG SOLDER TAILS	
MATERIAL		APPLICATION SPEC	SIZE A1	CAGE CODE 00779
FINISH		RESTRICTED TO	DRAWING NO. 533286	SCALE 4:1
		CUSTOMER DRAWING	SHEET 1 OF 2	REV V

