

4

3

2

1

THIS DRAWING AND THE SUBJECT MATTER SHOWN THEREON ARE CONFIDENTIAL AND THE PROPERTY OF BEL/STEWART/TRP CONNECTOR AND SHALL NOT BE REPRODUCED, COPIED, OR USED IN ANY MANNER WITHOUT THE WRITTEN CONSENT OF TRP CONNECTOR.

PRODUCT MAY BE PROTECTED BY ONE OR MORE OF THE FOLLOWING US PATENTS:
5736910 5939955 6425781 6428361 6554638 6840817 7123117
7429195 7717749 7808751 6217391 6149050 7924130

REVISIONS

P	LTR	DESCRIPTION	DATE	DWN	APVD
1		SEE LAST SHEET	22FEB2017	TRY	TY

1. MATERIALS

HOUSING: THERMOPLASTIC, BLACK, FLAMMABILITY RATED UL 94V-0
 SHIELD: BRASS, 0.20mm THICK,
 PREPLATED WITH MIN 0.76um SEMI-BRIGHT NICKEL
 POST DIPPED WITH 2.54um MIN SAC SOLDER AT GROUND PINS.
 CONTACTS: PHOSPHOR BRONZE, PLATED WITH 1.27um MIN OVERALL NICKEL UNDERPLATE,
 SELECTIVE 1.27um MIN GOLD AT MATING INTERFACE AND 2.54um MIN MATTE
 TIN ON SOLDER TAILS. OR 1.27um MIN NICKEL UNDERPLATE, WITH 0.05um
 GOLD PLATING OVER 0.76um MIN PALLADIUM NICKEL PLATING AT MATING
 INTERFACE AND 2.54um MIN MATTE TIN ON SOLDER TAILS.
 SOLDER TAIL: PHOSPHOR BRONZE,
 WITH 1.27um MIN OVERALL NICKEL UNDERPLATE AND
 PLATED WITH 2.54um MIN TIN
 LED: DIFFUSED EPOXY LENS, 0.50mm SQUARE CARBON STEEL WIREFRAME LEADS
 PREPLATED WITH 2.03um MIN SILVER OVER 1.02um MIN NICKEL
 OVER 1.02um MIN COPPER UNDERPLATE POST PLATED WITH 2.54um MIN TIN

2

MAGNETICS:

- APPLICATION: 5G BASE-T
- IMPEDANCE: 100 OHMS
- TURNS RATIO (CHIP:CABLE): 1:1 ALL FOUR PAIRS
- OPEN CIRCUIT INDUCTANCE (OCL): 180 uH MIN @ 100kHz, 0.1VRMS,
8mA DC BIAS FROM 0 °C TO 70 °C, ALL FOUR PAIRS
- ALL FOUR PAIRS BI-DIRECTIONAL
- PERFORMANCE @ 25 °C:

RETURN LOSS	-20dB MAX
1MHz to 50MHz	-20+8 log 0(f/50MHz) dB MAX
50MHz to 200MHz	-15+30 log 0(f/200MHz) dB MAX
200MHz to 300MHz	

- ISOLATION VOLTAGE: 2250VDC FOR 60 SECONDS WITH A RISE TIME OF 500V/SEC

3

THE MAGNETIC ARE SYMMETRICAL AND SUPPORT AUTO-MDIX OPERATION.

4.

OPERATING TEMPERATURE: FROM 0°C TO 70°C

5.

LEDS ARE DRIVEN WITH CONSTANT CURRENT AT APPROX 20 mA

LED COLOR:

DOMINANT WAVELENGTH (λD): GREEN 568 nm TYP @ IF=20 mA
 FORWARD VOLTAGE (VF): GREEN 2.2V TYP @ IF=20 mA
 DOMINANT WAVELENGTH (λD): ORANGE 605 nm TYP @ IF=20 mA
 FORWARD VOLTAGE (VF): ORANGE 2.1V TYP @ IF=20 mA

6.

ALL DIMENSIONS TO BE NOMINAL UNLESS OTHERWISE NOTED

7

RJ45 CAVITY CONFORMS TO FCC RULES AND REGULATION PART 68 SUBPART F.

8.

PART SHOULD BE RECOMMENDED FOR WAVE SOLDERING PROCESS, PREHEAT TEMPERATURE IS 120° TO 160°C, 120 SECONDS TO 180 SECONDS, PEAK WAVE SOLDERING TEMPERATURE IS 260°C MAX, 10 SECONDS MAX.

2250493-1

PART NUMBER

THIS DRAWING IS A CONTROLLED DOCUMENT.
AND COMPLIANT TO ASME Y14.5M

DWN	22FEB2017
TOWER YU / YI LIU	
CHK	22FEB2017
BILL LIU	
APVD	22FEB2017
TONY YUAN	

DIMENSIONS:	TOLERANCES UNLESS OTHERWISE SPECIFIED:
mm	
0 PLC	±0.25
1 PLC	±0.25
2 PLC	±0.25
3 PLC	±0.25
4 PLC	±
ANGLES	±
APPLICATION SPEC	

MODEL NAME	MAGJACK
PRODUCT SPEC	SINGLE NON-POE

DONGGUAN
CHINADESC
1X1, MAGJACK, VERTICAL
4FT02, 5G CIRCUIT, W/ LEDS

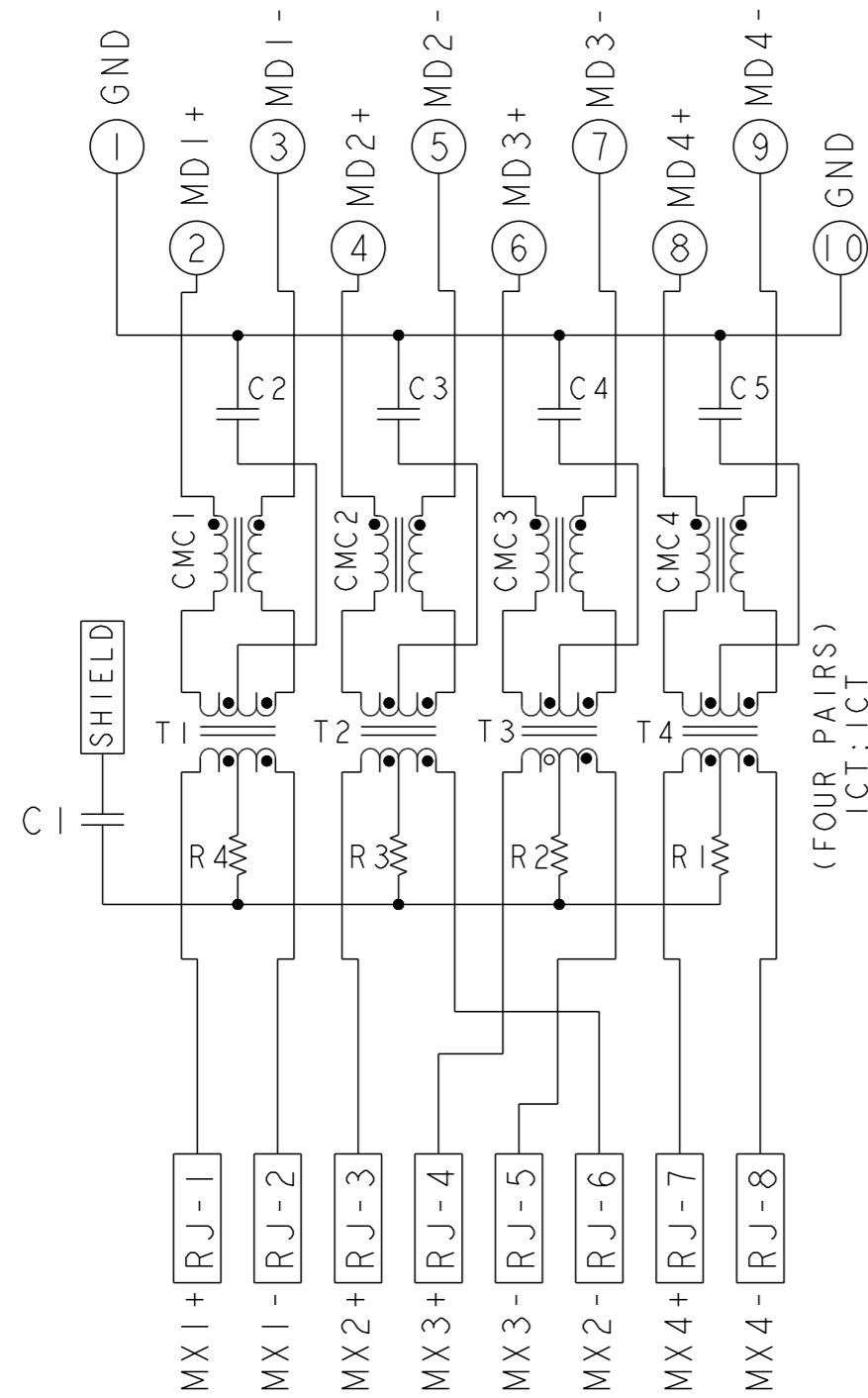
SIZE	A2	CAGE CODE		DRAWING NO	C-2250493	RESTRICTED TO	-
------	----	-----------	--	------------	-----------	---------------	---

CUSTOMER DRAWING

SCALE 4:1 SHEET 1 OF 3 REV 1

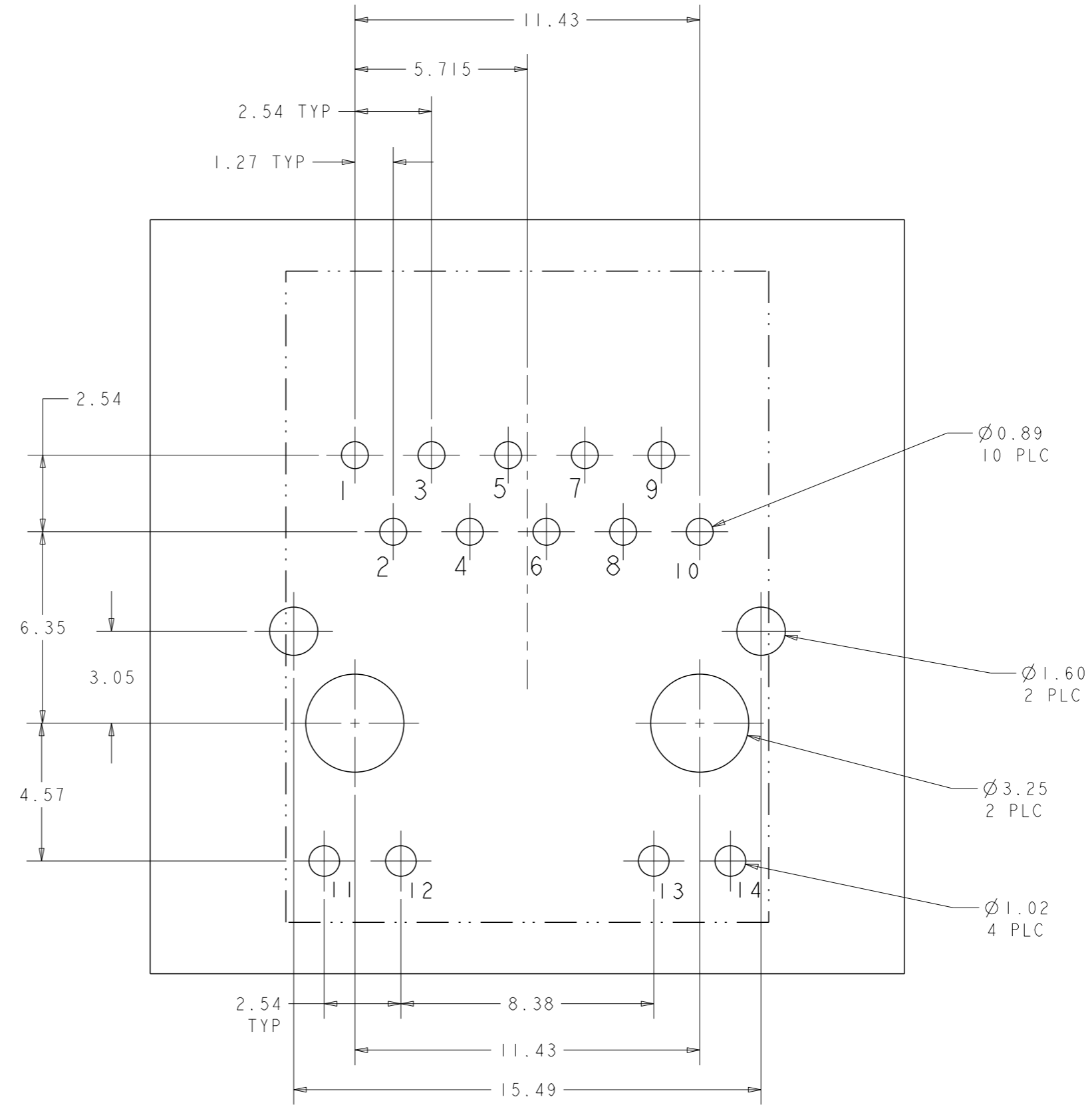
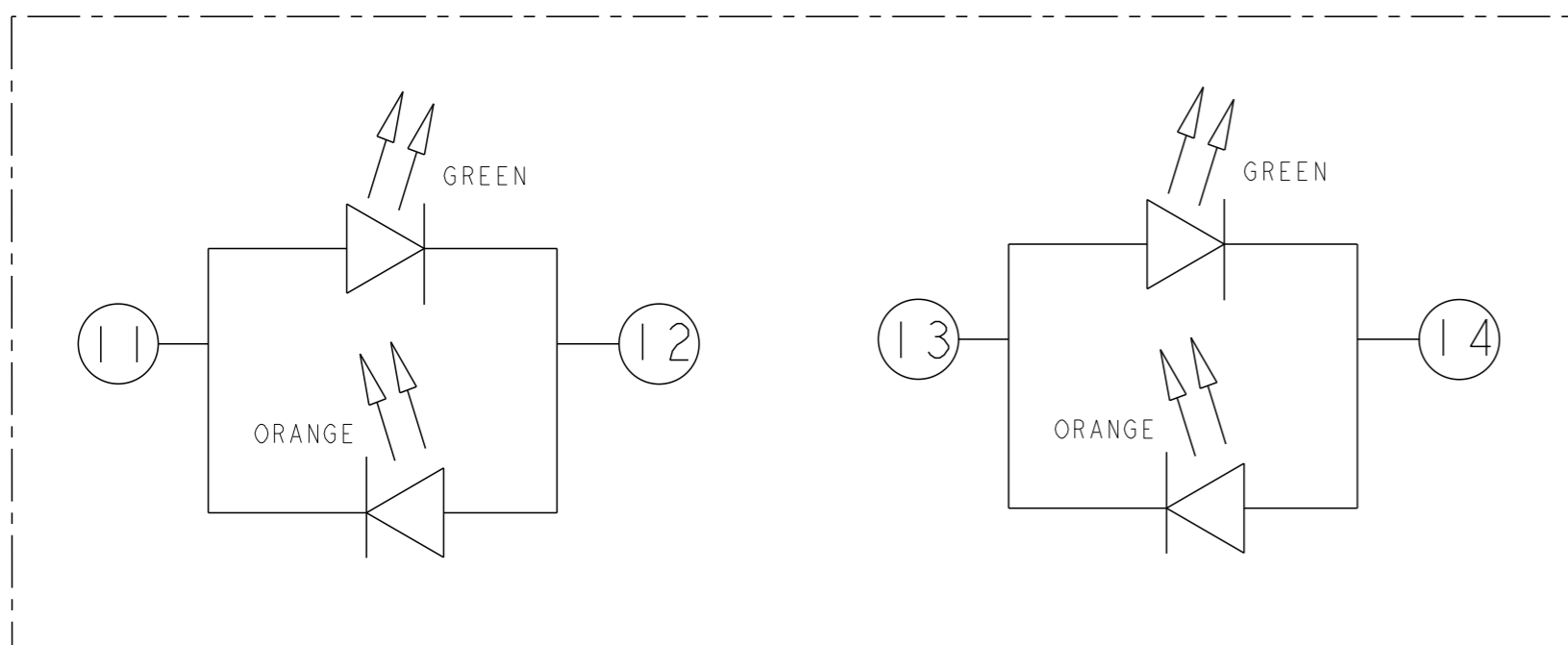
XXXX

4FT02 5G CIRCUIT



C2 - C5 = 0.1uF, 50V, CAPACITOR
 C1 = 1000pF, 2KV, CAPACITOR
 R1 - R4 = 75 ohms, RESISTOR

BI-COLOR LED



SUGGESTED PCB LAYOUT (TOL: ±0.05)
 (COMPONENT SIDE VIEW)

THIS DRAWING IS A CONTROLLED DOCUMENT.
 AND COMPLIANT TO ASME Y14.5M

DIMENSIONS: mm	TOLERANCES UNLESS OTHERWISE SPECIFIED: 0 PLC ±0.25 1 PLC ±0.25 2 PLC ±0.25 3 PLC ±0.25 4 PLC ± ANGLES ± APPLICATION SPEC
PRODUCT SPEC 108-104004	

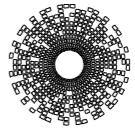
DWN TOWER YU / YI LIU	22FEB2017
CHK BILL LIU	22FEB2017
APVD TONY YUAN	22FEB2017
MODEL NAME	

MAGJACK
 SINGLE NON-POE



DESC 1X1, MAGJACK, VERTICAL 4FT02, 5G CIRCUIT, W/ LEDS	SIZE A2	CAGE CODE	DRAWING NO C-2250493	RESTRICTED TO
--	------------	-----------	-------------------------	---------------

2250493_C					STOCK DISPOSITION			
					A: CONTINUE AS IS		D: USE OLD FIRST	
					B: REWORK		E: PARTS TO CONFORM	
					C: SCRAP		F: OTHER	
REVISION HISTORY					INVENTORY	WORK	SUPPLIER	OPEN CUST
DATE	REV	CHANGES	REASON	APPROVAL	(A,B,C, D,E,F)	IN PROCESS (A,B,C,F)	ORDERS (A,E,F)	ORDERS (A,E,F)
22FEB2017	1	-	INITIAL RELEASE	TONY YUAN	-	-	-	-

THIS DRAWING IS A CONTROLLED DOCUMENT. AND COMPLIANT TO ASME Y14.5M		DWN 22FEB2017 TOWER YU / YI LIU	 trp CONNECTOR <small>a bel group</small>	DONGGUAN CHINA		
DIMENSIONS: mm		CHK 22FEB2017 BILL LIU		DESC IXI, MAGJACK, VERTICAL 4FT02, 5G CIRCUIT, W/ LEDS		
		APVD 22FEB2017 TONY YUAN		SIZE A2	CAGE CODE	DRAWING NO C-2250493
TOLERANCES UNLESS OTHERWISE SPECIFIED: 0 PLC ±0.25 1 PLC ±0.25 2 PLC ±0.25 3 PLC ±0.25 4 PLC ± ANGLES ± APPLICATION SPEC		MODEL NAME MAGJACK SINGLE NON-POE	RESTRICTED TO -	SCALE 4:1	SHEET 3 OF 3	
PRODUCT SPEC 108-104004		CUSTOMER DRAWING		REV 1		