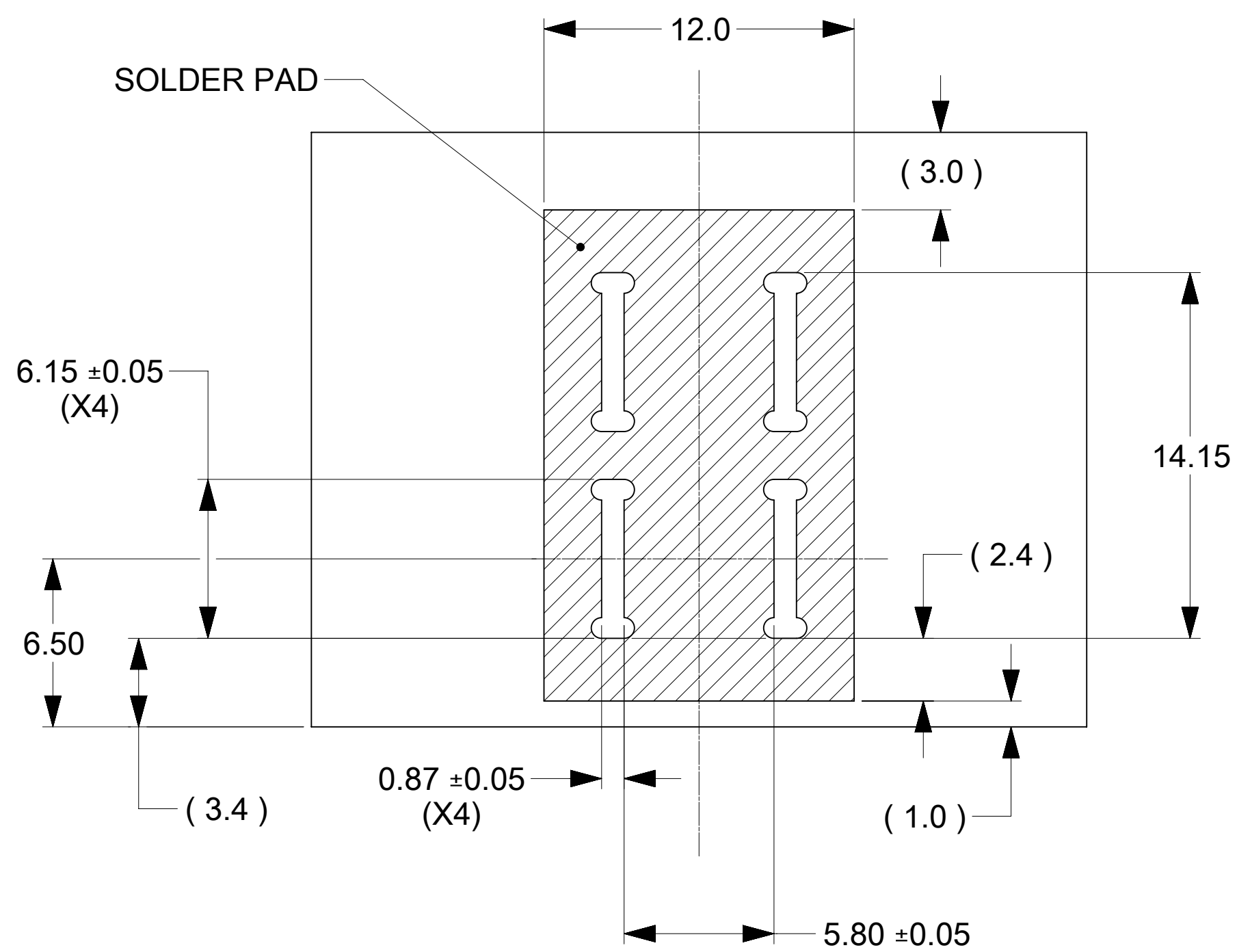


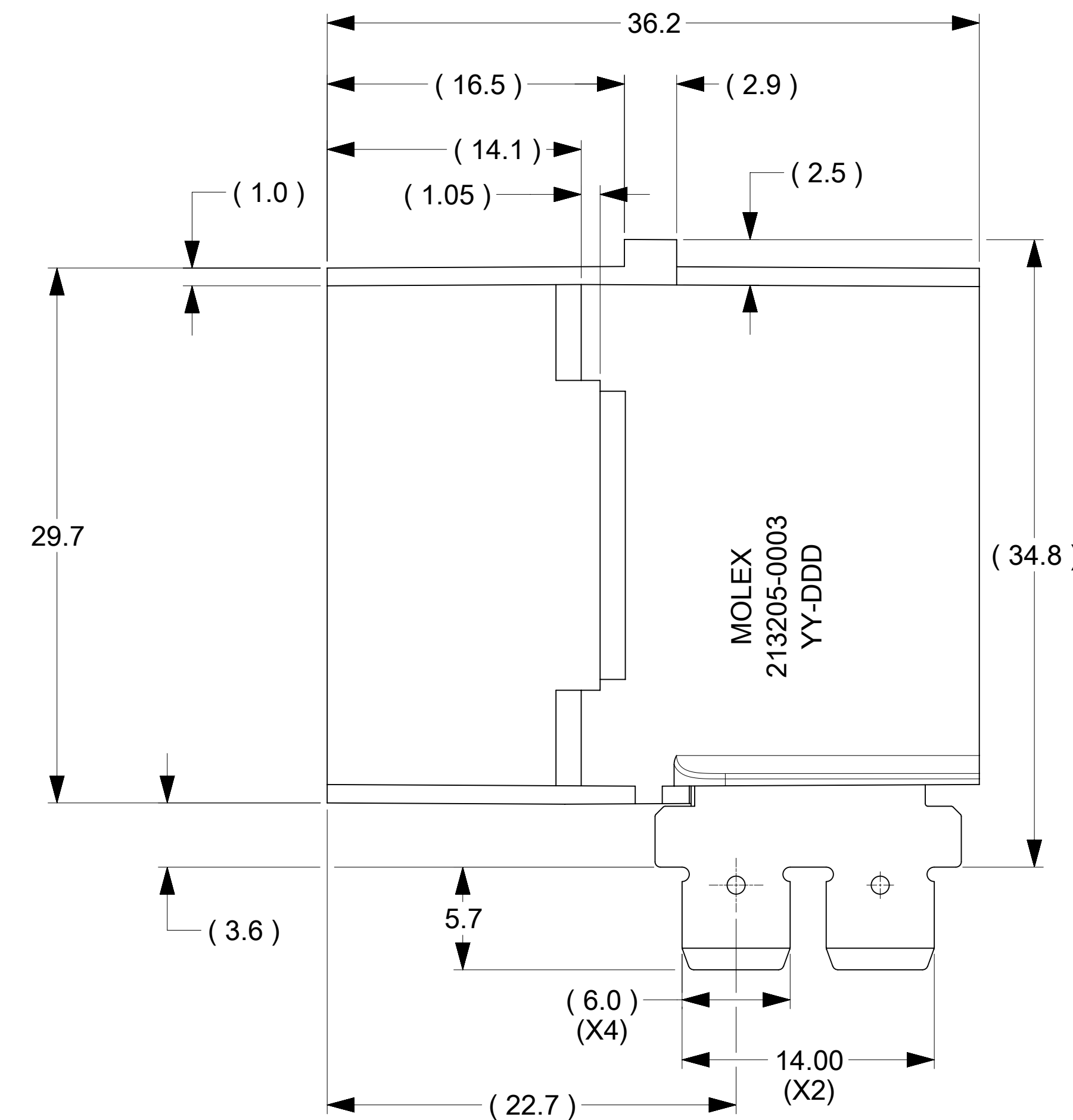
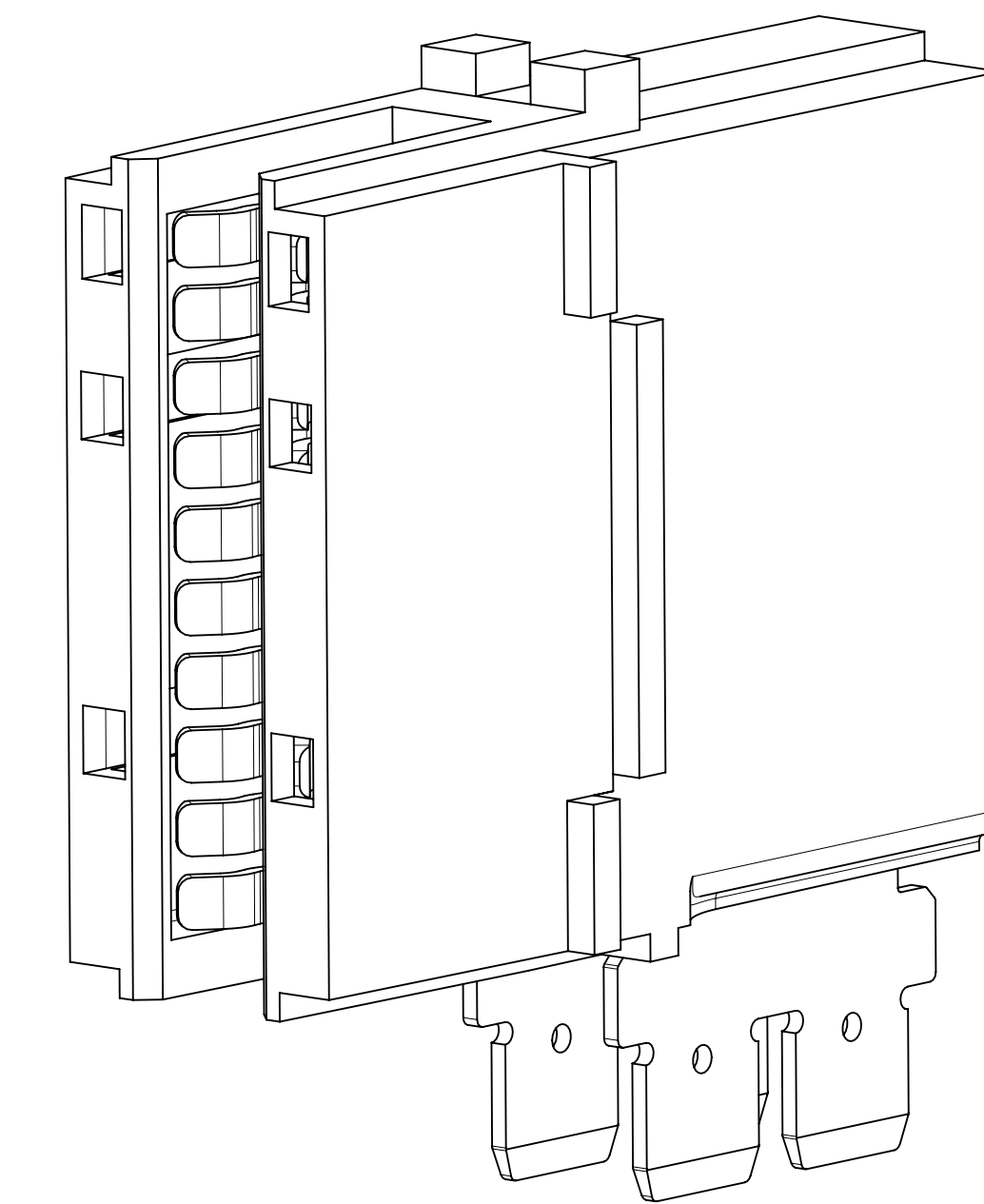
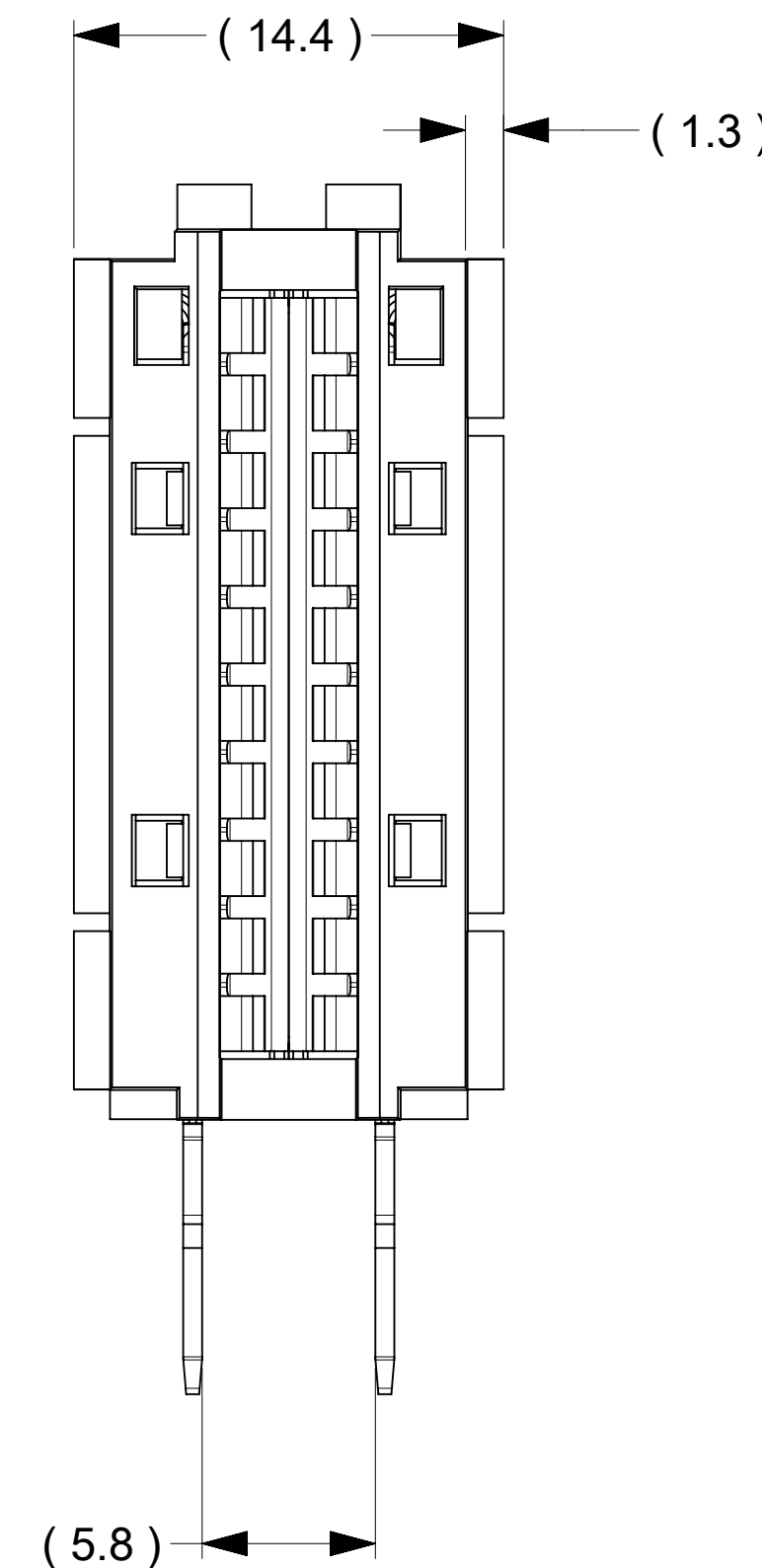
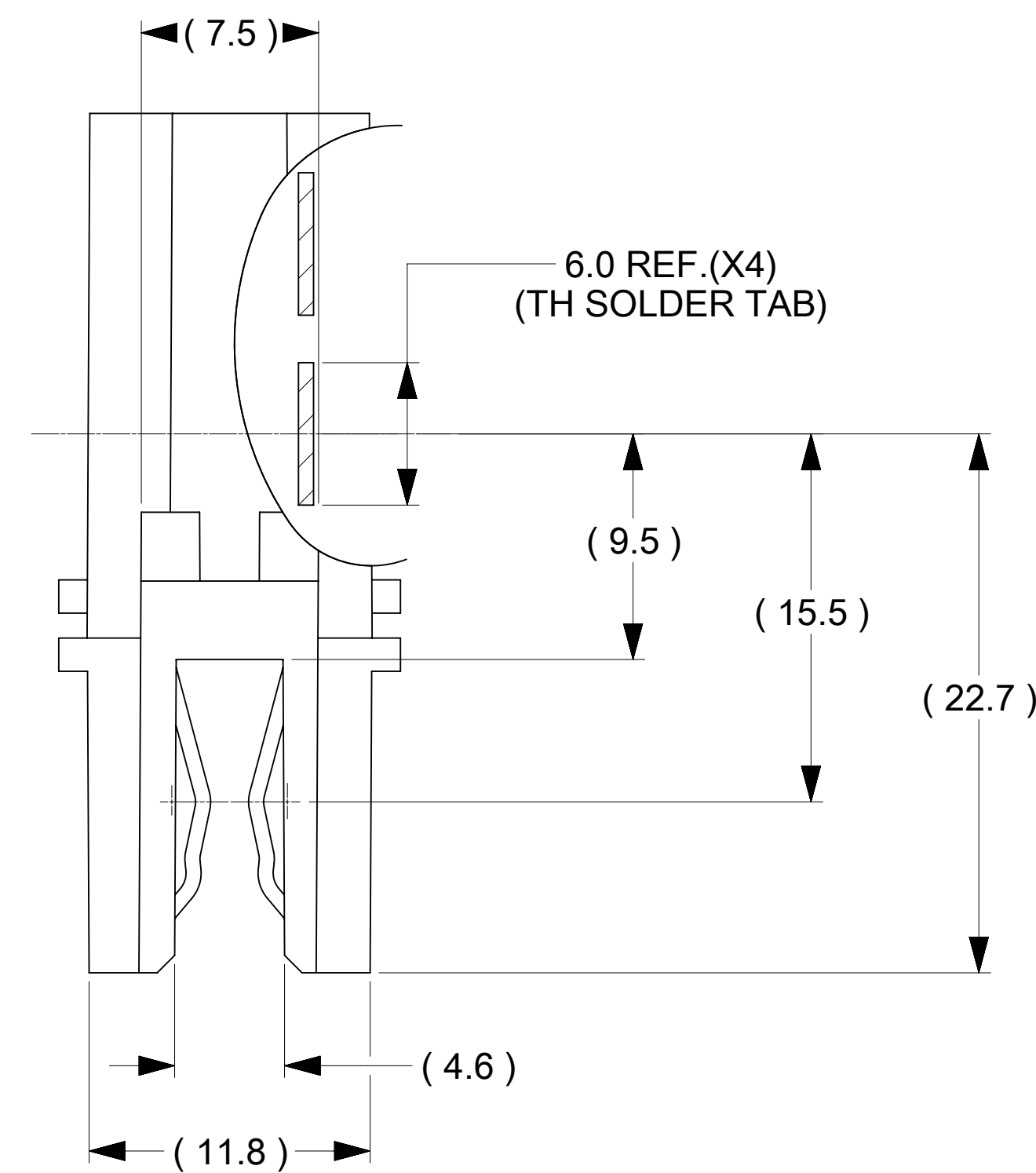
PCB, BUSBAR  
IN THESE VIEWS ARE SHOWN FOR REFERENCE ONLY



RECOMMENDED PCB LAYOUT  
(THICKNESS 4.8mm MAX.)

NOTES:

- MATERIALS:
  - HOUSING BODY: POLYMER. UL94V-0; BLACK.
  - TERMINALS: COPPER ALLOY.
  - RIVET/CLIP: COPPER ALLOY.
- PLATING:
  - CONTACT AREAS: 3.18 MIN MICRON SILVER, OVER 1.27 MIN. MICRON NICKEL.
  - TAB AREAS: 3.18 MIN. MICRON TIN, OVER 1.27 MIN. MICRON NICKEL.
  - REST: 1.27 MIN. MICRON NICKEL OVERALL.
- LUBRICATION: LUBED IN CONTACT AREA.
- REFERENCE DOCUMENT: 2131910001-PS, 2131910001-AS
- MODULE ASSEMBLY IS RoHS COMPLIANT.
- FINAL ASSEMBLY TO BE PACKAGED AND LABELED PER PACKAGING DRAWING NUMBER 2131910003-PK.
- MATED BUSBAR SHOULD BE PLATED WITH SILVER OVER NICKEL.



THIS DRAWING CONTAINS INFORMATION THAT IS PROPRIETARY TO MOLEX ELECTRONIC TECHNOLOGIES, LLC AND SHOULD NOT BE USED WITHOUT WRITTEN PERMISSION									
FUNCTIONAL SYMBOLS	DIMENSION UNITS	SCALE	CURRENT REV DESC:						
$F_A = 0$	mm	5:1	EC NO: 689515						
$F_C = 0$	GENERAL TOLERANCES (UNLESS SPECIFIED)		DRWN: TOMLU				2021/12/17		<b>molex</b>
$F_P = 0$	ANGULAR TOL ± °		CHK'D: BPISZCZOR				2022/03/07		
DIVISIONAL SYMBOLS	4 PLACES	±	APPR: BPISZCZOR				2022/03/07		POWER PLANE BBC 10C RIGHT ANGLE-TH
	3 PLACES	±	INITIAL REVISION:				DRWN: TOMLU		PRODUCT CUSTOMER DRAWING
	2 PLACES	± 0.15	DRWN: TOMLU				2021/04/19		DOCUMENT NUMBER
	1 PLACE	± 0.25	APPR: BPISZCZOR				2022/03/07		DOC TYPE
	0 PLACES	±	DRAFT WHERE APPLICABLE MUST REMAIN WITHIN DIMENSIONS				D-DRAWING		DOC PART
	THIRD ANGLE PROJECTION		SERIES		MATERIAL NUMBER		CUSTOMER		REVISION
	D-DRAWING		213205		2132050003		PSD 000		A
	SHEET NUMBER		1 OF 1						