

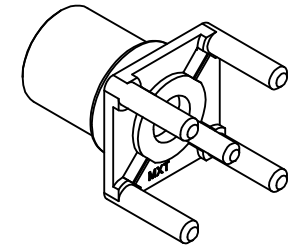
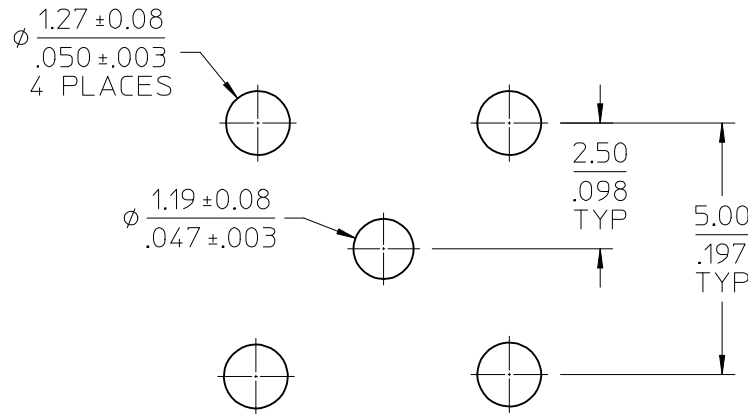
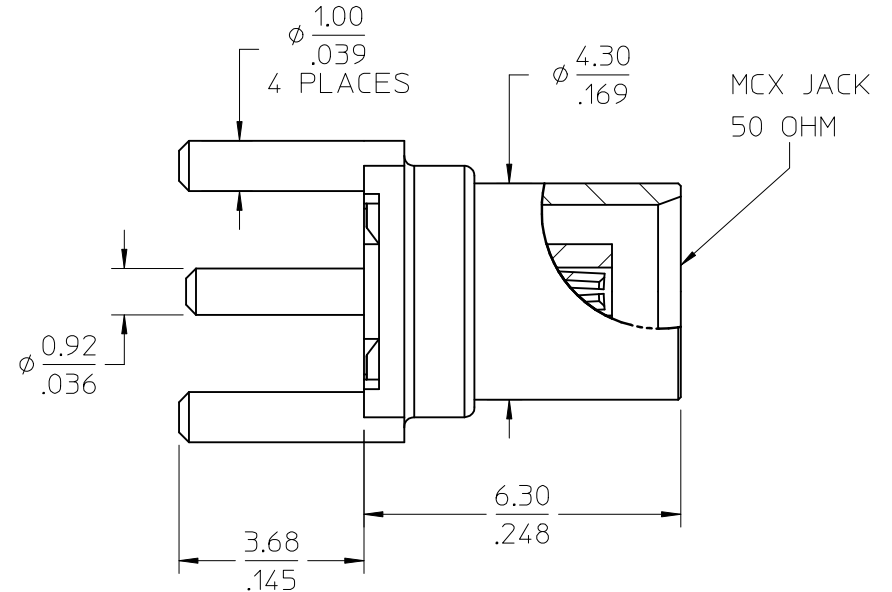
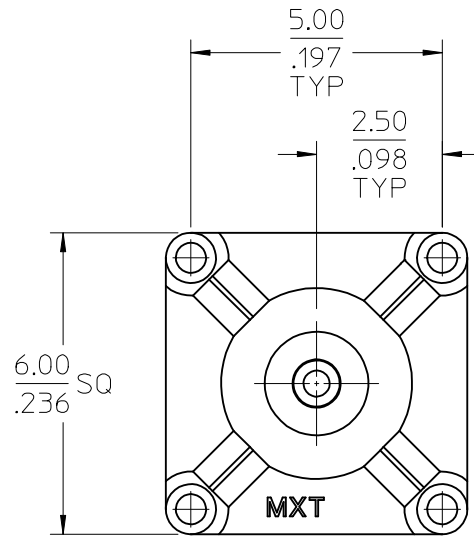
MATERIALS AND FINISHES  
 BODY: BRASS  
 PLATED: NICKEL 70u"

GROUNDING LEGS: ZINC ALLOY  
 PLATED: TIN 150u"

INSULATOR: TEFLON

CENTER CONTACT: BERYLLIUM COPPER  
 PLATED: GOLD 10u"

PACKAGING: TRAY



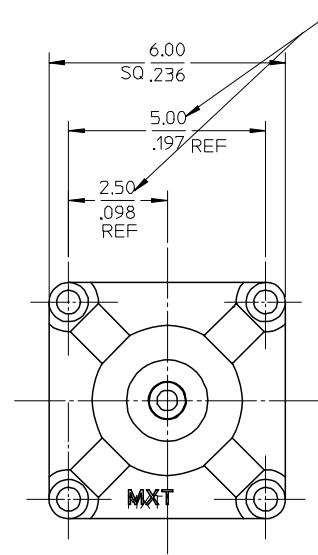
PART NO: 73366-0000

RECOMMENDED PCB LAYOUT

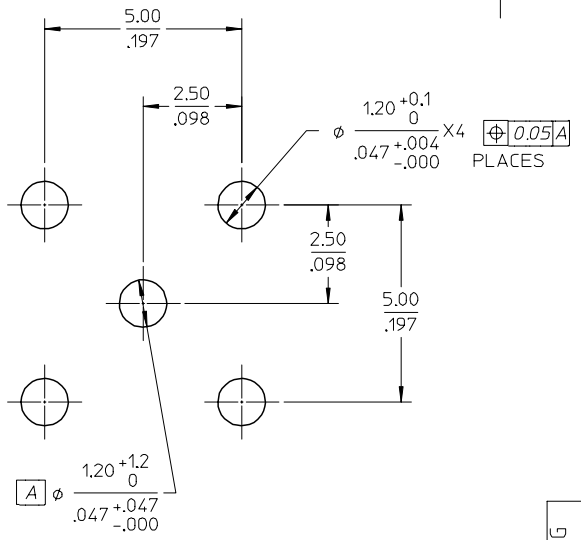
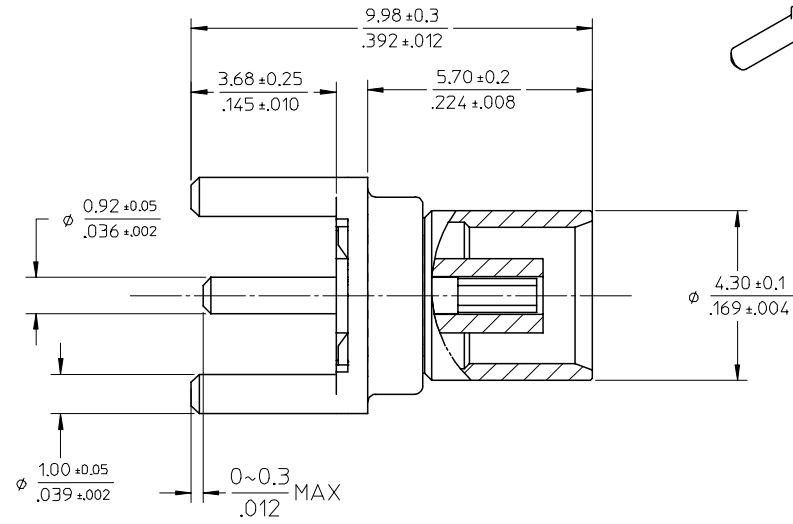
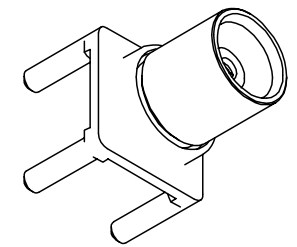
PS-89675-1830	ELECT / MECH
CECC 22 220	INTERFACE
SPECIFICATION	DESCRIPTION

CHG: UPDATE VIEWS CHANGE PCB LAYOUT PS WAS 73598-0132 REDIMENSIONED EC NO:JRF2005-0073 DRWN:JWIENER 2013/04/04 CHKD:SSS 2013/04/04 APPR:JWIENER 2013/04/08 D1	QUALITY SYMBOLS ▽ - 0 ▽ - 0 ▽ - 0	GENERAL TOLERANCES (UNLESS SPECIFIED) 4 PLACES ± --- ± --- 3 PLACES ± 0.08 ± --- 2 PLACES ± 0.10 ± --- 1 PLACE ± 0.13 ± --- ANGULAR ± 5 ° DRAFT WHERE APPLICABLE MUST REMAIN WITHIN DIMENSIONS	SCALE DESIGN UNITS <b>METRIC</b> DIMENSION STYLE <b>MM/IN</b>	THIRD ANGLE PROJECTION REVISE ON CAD ONLY	
	DRAWN BY JOHN	DATE 2004/09/22	TITLE <b>MCX JACK PCB THRU HOLE          50 OHM          MCX-J/PCB</b>	MATERIAL NO. <b>SEE TABLE</b>	DOCUMENT NO. <b>SD-73366-000</b>
	CHECKED BY KERRIE	DATE 2004/09/22	MOLEX INCORPORATED	SHEET NO. 1 OF 1	THIS DRAWING CONTAINS INFORMATION THAT IS PROPRIETARY TO MOLEX INCORPORATED AND SHOULD NOT BE USED WITHOUT WRITTEN PERMISSION
	APPROVED BY JWIENER	DATE 2013/04/08	A3		

MATERIALS AND FINISHES  
 BODY  
 BRASS  
 PLATED:NICKEL 70 MICROINCH MIN  
 GROUNDING  
 ZINC ALLOY  
 PLATED:TIN 150 MICROINCH MIN  
 INSULATOR  
 TEFLON  
 CENTER CONTACT  
 BERYLLIUM COPPER  
 PLATED:GOLD 10 MICROINCH MIN  
 PRODUCT SPECIFICATION:PS-73598-0132  
 PACKAGING: TRAY  
 PART NO:73366-0000



THESE DIMENSION SHOULD BE INSPECTED BY PCB GAUGE



RECOMMENDED MOUNTING HOLE

REV	DESCRIPTION
D	CHG:GROUNDING PLATING CODE ADD SPECIFICATION EC NO:URF2005-0073 DRWN: JTSAO 2005/03/25 CHKD:PENNY 2005/03/25 APPR:MHUANG 2005/03/28

QUALITY SYMBOLS	DESCRIPTION
▽ - 0	
∇ - 0	
∇ - 0	

GENERAL TOLERANCES (UNLESS SPECIFIED)	
mm	INCH
4 PLACES ± ---	± ---
3 PLACES ± 0.08	± ---
2 PLACES ± 0.10	± ---
1 PLACE ± 0.13	± ---
ANGULAR ± 5 °	
DRAFT WHERE APPLICABLE	
MUST REMAIN WITHIN DIMENSIONS	

SCALE 1:1	DESIGN UNITS METRIC
DIMENSION STYLE MM/IN	
DRAWN BY JOHN	DATE 2004/09/22
CHECKED BY KERRIE	DATE 2004/09/22
APPROVED BY MISEN	DATE 2004/09/22

THIRD ANGLE PROJECTION	REVISE ON CAD ONLY
TITLE 500HM MCX VERTICAL PCB TYPE	
MOLEX INCORPORATED	
MATERIAL NO. 73366-0000	DOCUMENT NO. SD-73366-0000
SHEET NO. 1 OF 1	
THIS DRAWING CONTAINS INFORMATION THAT IS PROPRIETARY TO MOLEX INCORPORATED AND SHOULD NOT BE USED WITHOUT WRITTEN PERMISSION	