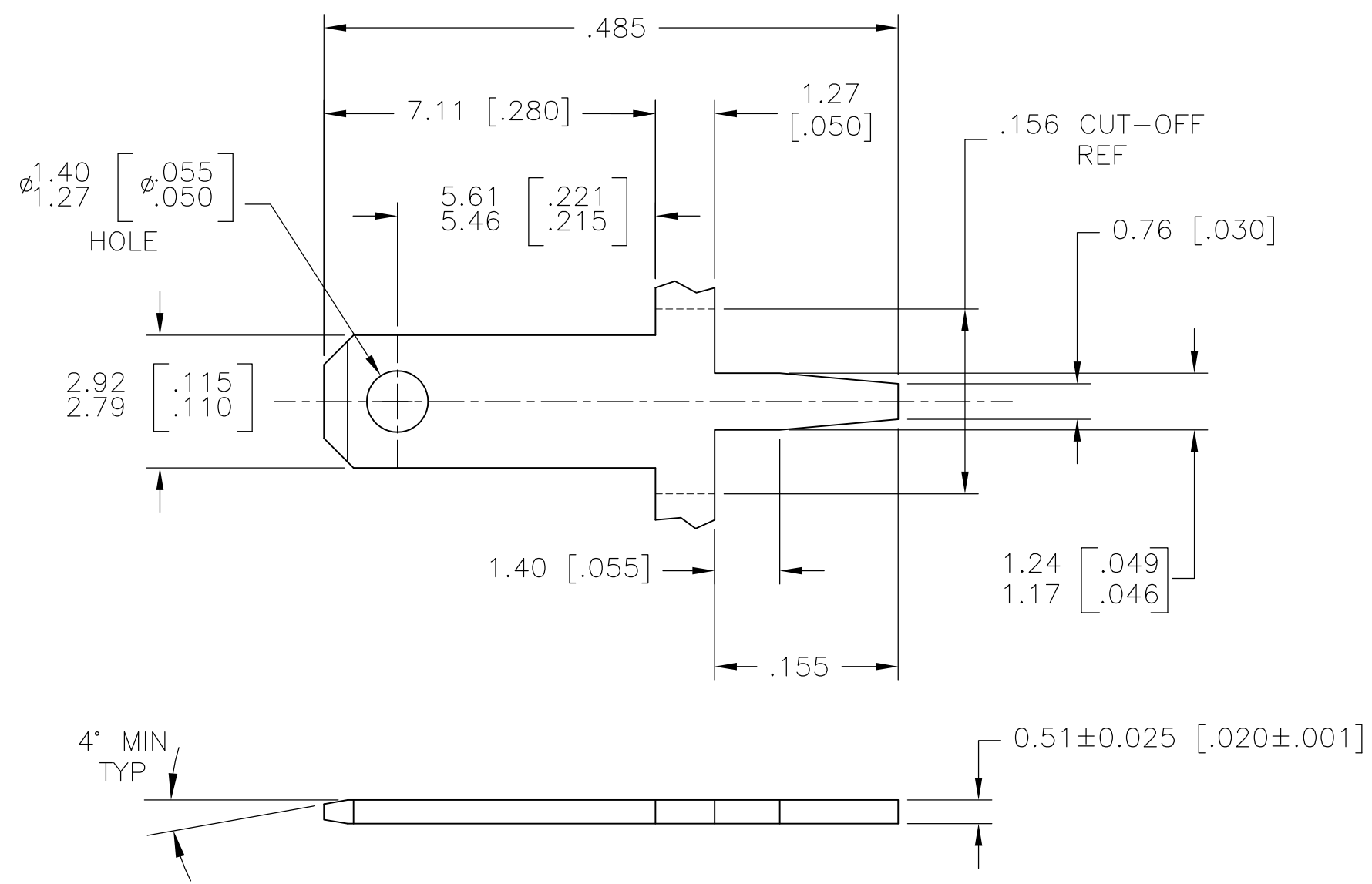



THIS DRAWING IS UNPUBLISHED. RELEASED FOR PUBLICATION
 © COPYRIGHT - By - ALL RIGHTS RESERVED.

LOC	DIST	REVISIONS			
P	LTR	DESCRIPTION	DATE	DWN	APVD
AF	50	G	REVISED PER ECR-13-001204	03JUL13	KH PD

- 1 CONTINUOUS STRIP ON REELS
 - 2 PART TO MEET AMP
SOLDERABILITY SPEC 109-11-2
(MILDLY ACTIVATED ROSIN)
 - 3 FITS 1.17/1.02 [.046/.040] DIA
HOLE IN PC BOARD. WHEN
PLATED THRU HOLES ARE TO
BE USED, ADJUSTMENT TO HOLE
DIA'S SHOULD BE MADE TO
ALLOW FOR THE PLATING
- △ 4 .00381 [.000150] MIN TIN OVER
0.00254 [.000100] MIN COPPER.



1742014-1
PART NO.

THIS DRAWING IS A CONTROLLED DOCUMENT.		DWN jr_ruth 17OCT03	 TE Connectivity		
DIMENSIONS: mm [INCHES]		CHK KRISTY YI 16OCT03			
TOLERANCES UNLESS OTHERWISE SPECIFIED:		APVD KRISTY YI 16OCT03	NAME TAB, FASTON, PC BOARD, 2.79 [.110] SERIES		
0 PLC ± - 1 PLC ± - 2 PLC ± 0.25 [.010] 3 PLC ± - 4 PLC ± - ANGLES ± -		PRODUCT SPEC -	SIZE A3	CAGE CODE 00779	DRAWING NO C-1742014
MATERIAL BRASS		FINISH △ 4	APPLICATION SPEC -	RESTRICTED TO -	SCALE 1:1
CUSTOMER DRAWING			SHEET 1 OF 1	REV G	