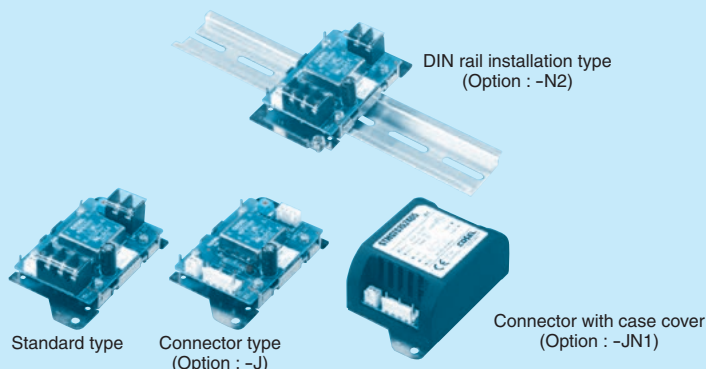


STMGFS15

STMGF S 15 24 05 -□

① ② ③ ④ ⑤ ⑥



- ① Series name
- ② Single output
- ③ Output wattage
- ④ Input voltage
- ⑤ Output voltage
- ⑥ Optional
 - G : Capacitor between Input and Output is removed.
 - R : with Remote ON/OFF (Positive logic control)
 - J : Input/Output Connector
 - JN1 : Connector with case cover
 - N2 : With DIN rail installation type
 - JN3 : Connector with cover(plastic) and DIN rail installation type
 - V : Output voltage setting potentiometer externally

*Please remove short piece on CN4 to enable remote ON/OFF function.

*When the option is set specifications may vary.

MODEL	STMGFS15243R3	STMGFS152405	STMGFS152412	STMGFS152415
MAX OUTPUT WATTAGE[W]	13.2	15	15.6	15
DC OUTPUT	VOLTAGE[V] *1	3.3	5	12
	CURRENT[A]	4	3	1.3

SPECIFICATIONS

	MODEL	STMGFS15243R3	STMGFS152405	STMGFS152412	STMGFS152415	
INPUT	VOLTAGE[V]	DC9 - 36				
	CURRENT[A] *2	0.63typ	0.71typ	0.73typ	0.70typ	
	EFFICIENCY[%] *2	87typ	88typ	89typ	89typ	
OUTPUT	VOLTAGE[V]	3.3	5	12	15	
	CURRENT[A]	4	3	1.3	1	
	LINE REGULATION[mV]	13.2max	20max	48max	60max	
	LOAD REGULATION[mV]	60max	60max	100max	120max	
	RIPPLE[mVp-p] *3	0 to +60°C	75max	75max	100max	100max
		-20 to +60°C	100max	100max	120max	120max
	RIPPLE NOISE[mVp-p] *3	0 to +60°C	120max	120max	150max	150max
		-20 to +60°C	200max	200max	200max	200max
	TEMPERATURE REGULATION[mV]	0 to +60°C	50max	50max	150max	180max
		-20 to +60°C	80max	80max	240max	290max
	DRIFT[mV] *4	20max	20max	48max	60max	
START-UP TIME[ms]	30max (Minimum input, I _o =100%)					
OUTPUT VOLTAGE ADJUSTMENT RANGE	2.97 - 3.63	4.50 - 5.50	10.80 - 13.20	13.50 - 16.50		
OUTPUT VOLTAGE SETTING[V]*5	3.29 - 3.41	4.97 - 5.14	11.85 - 12.25	14.83 - 15.33		
PROTECTION CIRCUIT AND OTHERS	OVERCURRENT PROTECTION	Works over 105% of rating and recovers automatically				
	REMOTE ON/OFF	Provided (Negative logic L:ON, H:OFF)				

MODEL	STMGFS15483R3	STMGFS154805	STMGFS154812	STMGFS154815
MAX OUTPUT WATTAGE[W]	13.2	15	15.6	15
DC OUTPUT	VOLTAGE[V] *1	3.3	5	12
	CURRENT[A]	4	3	1.3

SPECIFICATIONS

	MODEL	STMGFS15483R3	STMGFS154805	STMGFS154812	STMGFS154815	
INPUT	VOLTAGE[V]	DC18 - 76				
	CURRENT[A] *2	0.32typ	0.36typ	0.37typ	0.35typ	
	EFFICIENCY[%] *2	87typ	88typ	88typ	89typ	
OUTPUT	VOLTAGE[V]	3.3	5	12	15	
	CURRENT[A]	4	3	1.3	1	
	LINE REGULATION[mV]	13.2max	20max	48max	60max	
	LOAD REGULATION[mV]	60max	60max	100max	120max	
	RIPPLE[mVp-p] *3	0 to +60°C	75max	75max	100max	100max
		-20 to +60°C	100max	100max	120max	120max
	RIPPLE NOISE[mVp-p] *3	0 to +60°C	120max	120max	150max	150max
		-20 to +60°C	200max	200max	200max	200max
	TEMPERATURE REGULATION[mV]	0 to +60°C	50max	50max	150max	180max
		-20 to +60°C	80max	80max	240max	290max
	DRIFT[mV] *4	20max	20max	48max	60max	
START-UP TIME[ms]	30max (Minimum input, I _o =100%)					
OUTPUT VOLTAGE ADJUSTMENT RANGE	2.97 - 3.63	4.50 - 5.50	10.80 - 13.20	13.50 - 16.50		
OUTPUT VOLTAGE SETTING[V]*5	3.29 - 3.41	4.97 - 5.14	11.85 - 12.25	14.83 - 15.33		
PROTECTION CIRCUIT AND OTHERS	OVERCURRENT PROTECTION	Works over 105% of rating and recovers automatically				
	REMOTE ON/OFF	Provided (Negative logic L:ON, H:OFF)				

GENERAL SPECIFICATIONS

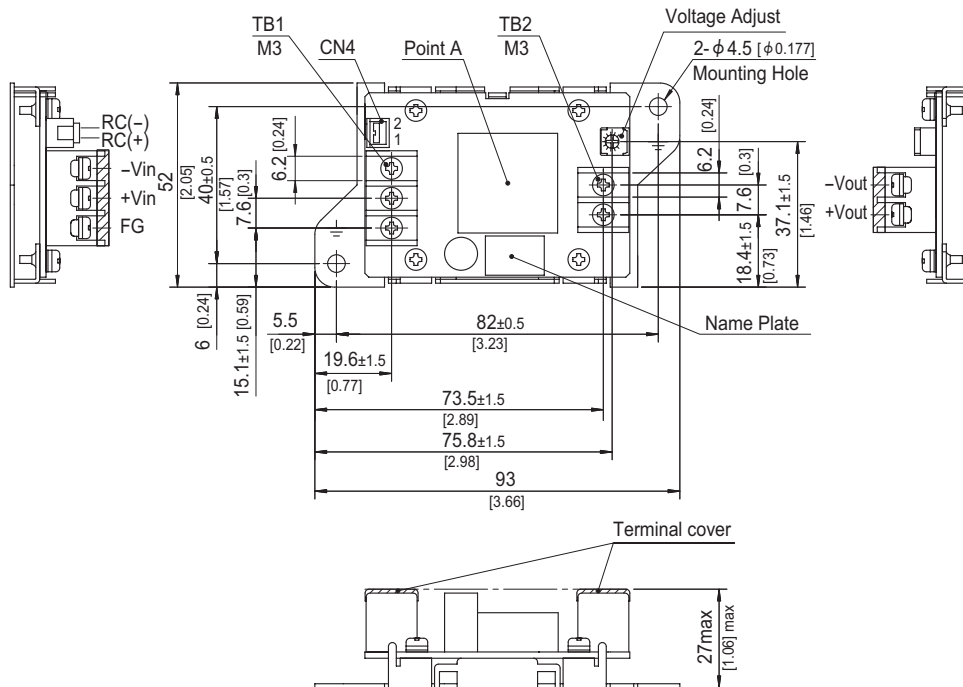
ISOLATION	INPUT · RC-OUTPUT	DC1,500V 1minute, Cutoff current = 10mA, DC500V 1,000MΩ min (20±15°C)
	INPUT · RC-FG	DC1,000V 1minute, Cutoff current = 10mA, DC500V 1,000MΩ min (20±15°C)
	OUTPUT-FG	DC1,000V 1minute, Cutoff current = 10mA, DC500V 1,000MΩ min (20±15°C)
ENVIRONMENT	OPERATING TEMP., HUMID. AND ALTITUDE	-20 to +70°C, 20 to 95%RH (Non condensing) (Required Derating), 3,000m (10,000feet) max
	STORAGE TEMP., HUMID. AND ALTITUDE	-20 to +75°C, 20 to 95%RH (Non condensing), 9,000m (30,000feet) max
	VIBRATION	10 - 55Hz, 19.6m/s ² (2G), 3minutes period, 60minutes each along X, Y and Z axis
	IMPACT	196.1m/s ² (20G), 11ms, once each along X, Y and Z axis
SAFETY	AGENCY APPROVALS	UL60950-1, C-UL, EN60950-1 Complies
OTHERS	CASE SIZE/WEIGHT	52x27x93mm [2.05x1.06x3.66 inches] (W×H×D) / 110g max (When the option is set, refer to the page STMG-6)
	COOLING METHOD	Convection/Forced air

- *1 STMGFW15xx05/STMGFW15xx12/STMGFW15xx15 is available as single output, +10V/+24V/+30V
- *2 Rated input 12V, 24V or 48V DC Io=100%
- *3 Measured by 100MHz oscilloscope or Ripple-Noise meter (Equivalent to KIKUSUI-GIKEN : RM103).
- *4 Drift is the DC output accuracy for eight hours period after a half-hour warm-up at 25°C.
- *5 Rated input voltage (DC24V, DC48V), rated output wattage, ambient temperature at 25°C.
- * Parallel operation with other model is not possible.

External view

Standard type

* External view of option G, R are the same as standard model.
External view of other type options, please refer to the page STMG-6.



	I/O Connector		Mating Connector	Terminal
Remote ON/OFF	CN4	B2B-XH	XHP-2	Chain : SXH-001T-P0.6 Loose : BXH-001T-P0.6

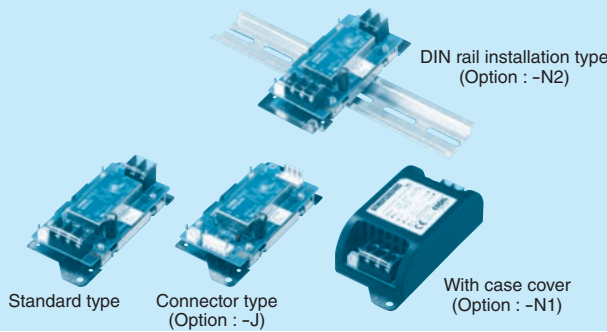
(Mfr.: J.S.T.)

- * Tolerance ±1
- * Dimensions in mm, []=inches
- * Weight : 110g max
- * PCB material / thickness : FR-4 / 1.6mm
- * Mounting plate : Iron (surface finishing : nickel plating) t=1.0 [0.04]
- * Terminal block screw tightening torque M3 : 0.8N · m (8.5kgf · cm) max
- * CN4 has been installed short piece as factory setting (Except option R).
When remote ON/OFF is used, please remove the installed short piece.

STMGFS30

STMGF S 30 24 05 -□

① ② ③ ④ ⑤ ⑥



- ① Series name
 - ② Single output
 - ③ Output wattage
 - ④ Input voltage
 - ⑤ Output voltage
 - ⑥ Optional
 - G : Capacitor between Input and Output is removed.
 - R : with Remote ON/OFF (Positive logic control)
 - J : Input/Output Connector
 - N1 : With case cover
 - N2 : With DIN rail installation type
 - N3 : With cover(plastic) and DIN rail installation type
 - V : Output voltage setting potentiometer externally
- *When the option is set specifications may vary.

*Please remove short piece on CN4 to enable remote ON/OFF function.

MODEL	STMGFS30243R3	STMGFS302405	STMGFS302412	STMGFS302415
MAX OUTPUT WATTAGE[W]	24.75	30	30	30
DC OUTPUT	VOLTAGE[V] *1	3.3	5	12
	CURRENT[A]	7.5	6	2.5

SPECIFICATIONS

	MODEL	STMGFS30243R3	STMGFS302405	STMGFS302412	STMGFS302415	
INPUT	VOLTAGE[V]	DC9 - 36				
	CURRENT[A] *2	1.16typ	1.39typ	1.40typ	1.40typ	
	EFFICIENCY[%] *2	89typ	90typ	89typ	89typ	
OUTPUT	VOLTAGE[V]	3.3	5	12	15	
	CURRENT[A]	7.5	6	2.5	2	
	LINE REGULATION[mV]	13.2max	20max	48max	60max	
	LOAD REGULATION[mV]	60max	60max	100max	120max	
	RIPPLE[mVp-p] *3	0 to +60°C	75max	75max	100max	100max
		-20 to +60°C	100max	100max	120max	120max
	RIPPLE NOISE[mVp-p] *3	0 to +60°C	120max	120max	150max	150max
		-20 to +60°C	200max	200max	200max	200max
	TEMPERATURE REGULATION[mV]	0 to +60°C	50max	50max	150max	180max
		-20 to +60°C	80max	80max	240max	290max
	DRIFT[mV] *4	20max	20max	48max	60max	
START-UP TIME[ms]	30max (Minimum input, I _o =100%)					
OUTPUT VOLTAGE ADJUSTMENT RANGE	2.97 - 3.63	4.50 - 5.50	10.80 - 13.20	13.50 - 16.50		
OUTPUT VOLTAGE SETTING[V]*5	3.29 - 3.41	4.97 - 5.14	11.85 - 12.25	14.83 - 15.33		
PROTECTION CIRCUIT AND OTHERS	OVERCURRENT PROTECTION	Works over 105% of rating and recovers automatically				
	OVERVOLTAGE PROTECTION[V]	Works over 120 to 160% of rating				
	REMOTE ON/OFF	Provided (Negative logic L:ON, H:OFF)				

MODEL	STMGFS30483R3	STMGFS304805	STMGFS304812	STMGFS304815
MAX OUTPUT WATTAGE[W]	24.75	30	30	30
DC OUTPUT	VOLTAGE[V] *1	3.3	5	12
	CURRENT[A]	7.5	6	2.5

SPECIFICATIONS

	MODEL	STMGFS30483R3	STMGFS304805	STMGFS304812	STMGFS304815	
INPUT	VOLTAGE[V]	DC18 - 76				
	CURRENT[A] *2	0.58typ	0.70typ	0.70typ	0.70typ	
	EFFICIENCY[%] *2	89typ	90typ	89typ	89typ	
OUTPUT	VOLTAGE[V]	3.3	5	12	15	
	CURRENT[A]	7.5	6	2.5	2	
	LINE REGULATION[mV]	13.2max	20max	48max	60max	
	LOAD REGULATION[mV]	60max	60max	100max	120max	
	RIPPLE[mVp-p] *3	0 to +60°C	75max	75max	100max	100max
		-20 to +60°C	100max	100max	120max	120max
	RIPPLE NOISE[mVp-p] *3	0 to +60°C	120max	120max	150max	150max
		-20 to +60°C	200max	200max	200max	200max
	TEMPERATURE REGULATION[mV]	0 to +60°C	50max	50max	150max	180max
		-20 to +60°C	80max	80max	240max	290max
	DRIFT[mV] *4	20max	20max	48max	60max	
START-UP TIME[ms]	30max (Minimum input, I _o =100%)					
OUTPUT VOLTAGE ADJUSTMENT RANGE	2.97 - 3.63	4.50 - 5.50	10.80 - 13.20	13.50 - 16.50		
OUTPUT VOLTAGE SETTING[V]*5	3.29 - 3.41	4.97 - 5.14	11.85 - 12.25	14.83 - 15.33		
PROTECTION CIRCUIT AND OTHERS	OVERCURRENT PROTECTION	Works over 105% of rating and recovers automatically				
	OVERVOLTAGE PROTECTION[V]	Works over 120 to 160% of rating				
	REMOTE ON/OFF	Provided (Negative logic L:ON, H:OFF)				

GENERAL SPECIFICATIONS

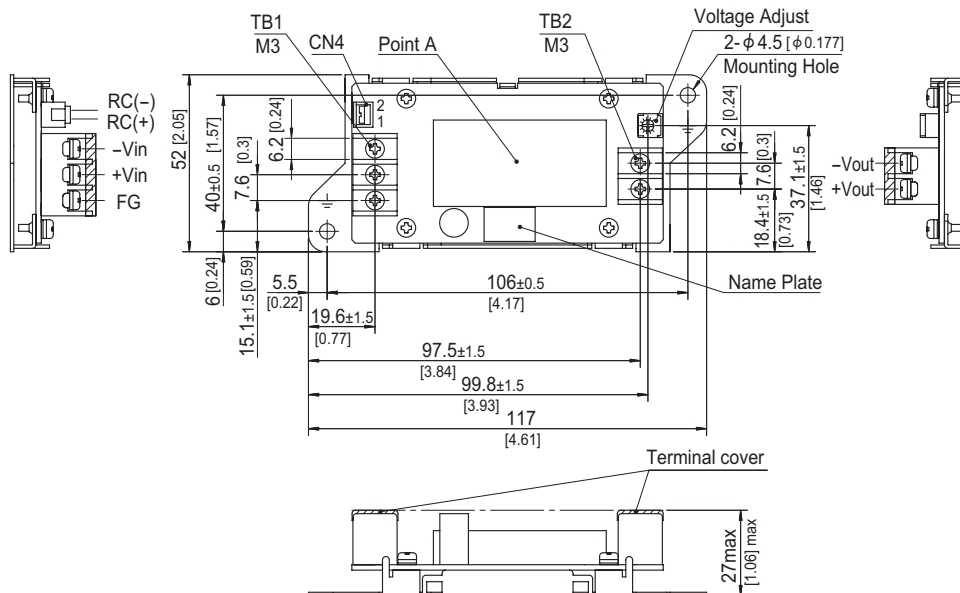
ISOLATION	INPUT · RC-OUTPUT	DC1,500V 1minute, Cutoff current = 10mA, DC500V 1,000MΩ min (20±15°C)
	INPUT · RC-FG	DC1,000V 1minute, Cutoff current = 10mA, DC500V 1,000MΩ min (20±15°C)
	OUTPUT-FG	DC1,000V 1minute, Cutoff current = 10mA, DC500V 1,000MΩ min (20±15°C)
ENVIRONMENT	OPERATING TEMP., HUMID. AND ALTITUDE	-20 to +70°C, 20 to 95%RH (Non condensing) (Required Derating), 3,000m (10,000feet) max
	STORAGE TEMP., HUMID. AND ALTITUDE	-20 to +75°C, 20 to 95%RH (Non condensing), 9,000m (30,000feet) max
	VIBRATION	10 - 55Hz, 19.6m/s ² (2G), 3minutes period, 60minutes each along X, Y and Z axis
	IMPACT	196.1m/s ² (20G), 11ms, once each along X, Y and Z axis
SAFETY	AGENCY APPROVALS	UL60950-1, C-UL, EN60950-1 Complies
OTHERS	CASE SIZE/WEIGHT	52x27x117mm [2.05x1.06x4.61 inches] (W×H×D) / 140g max (When the option is set, refer to the page STMG-7)
	COOLING METHOD	Convection/Forced air

- *1 STMGFW30xx05/STMGFW30xx12/STMGFW30xx15 is available as single output, +10V/+24V/+30V
- *2 Rated input 12V, 24V or 48V DC Io=100%
- *3 Measured by 100MHz oscilloscope or Ripple-Noise meter (Equivalent to KIKUSUI-GIKEN : RM103).
- *4 Drift is the DC output accuracy for eight hours period after a half-hour warm-up at 25°C.
- *5 Rated input voltage (DC24V, DC48V), rated output wattage, ambient temperature at 25°C.
- * Parallel operation with other model is not possible.

External view

Standard type

* External view of option G, R are the same as standard model.
External view of other type options, please refer to the page STMG-7.



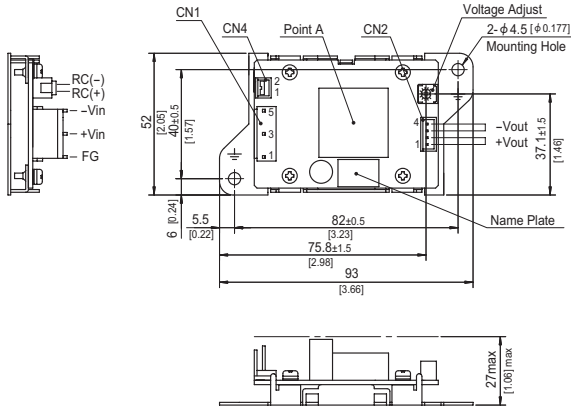
	I/O Connector		Mating Connector	Terminal
Remote ON/OFF	CN4	B2B-XH	XHP-2	Chain : SXH-001T-P0.6 Loose : BXH-001T-P0.6

(Mfr.: J.S.T.)

- * Tolerance ±1
- * Dimensions in mm, []=inches
- * Weight : 140g max
- * PCB material / thickness : FR-4 / 1.6mm
- * Mounting plate : Iron (surface finishing : nickel plating) t=1.0 [0.04]
- * Terminal block screw tightening torque M3 : 0.8N · m (8.5kgf · cm) max
- * CN4 has been installed jumper as factory setting (Except option R).
When remote ON/OFF is used , please remove the installed jumper.

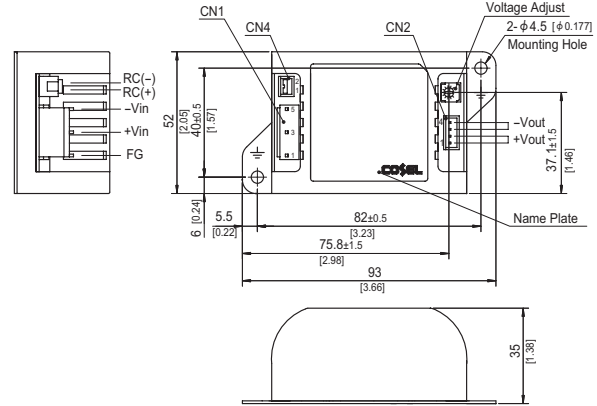
External view (Option type)

Connector type (-J)

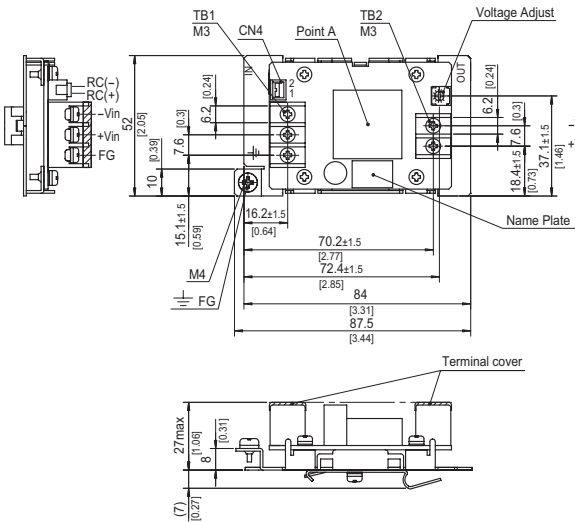


Case cover and connector type (-JN1)

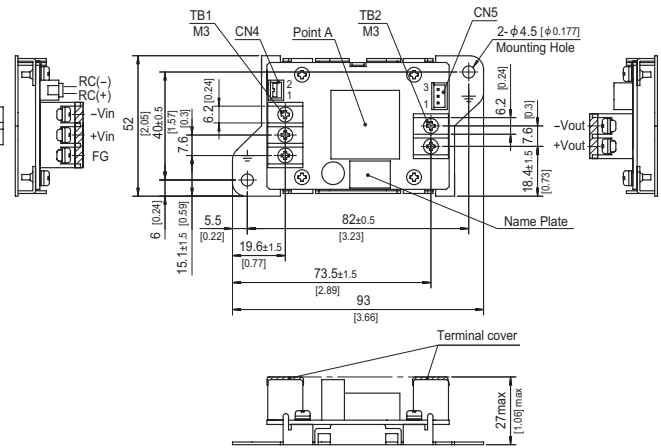
* The specifications of terminal block and Case cover type can not be set.



DIN rail installation type (-N2)



External voltage variable volume type (-V)



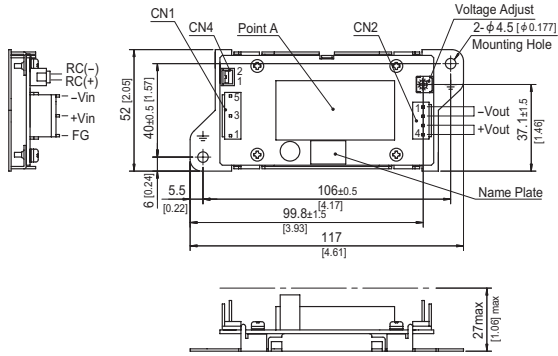
	I/O Connector		Mating Connector	Terminal
Connector Type Input	CN1	B3P5-VH	VHR-5N	Chain : SVH-21T-P1.1 Loose : BVH-21T-P1.1
Connector Type Output	CN2	B4P-XH	XHP-4	Chain : SXH-001T-P0.6 Loose : BXH-001T-P0.6
Remote ON/OFF	CN4	B2B-XH	XHP-2	Chain : SXH-001T-P0.6 Loose : BXH-001T-P0.6
External voltage variable volume type	CN5	B3B-XH	XHP-3	Chain : SXH-001T-P0.6 Loose : BXH-001T-P0.6

(Mfr.:J.S.T.)

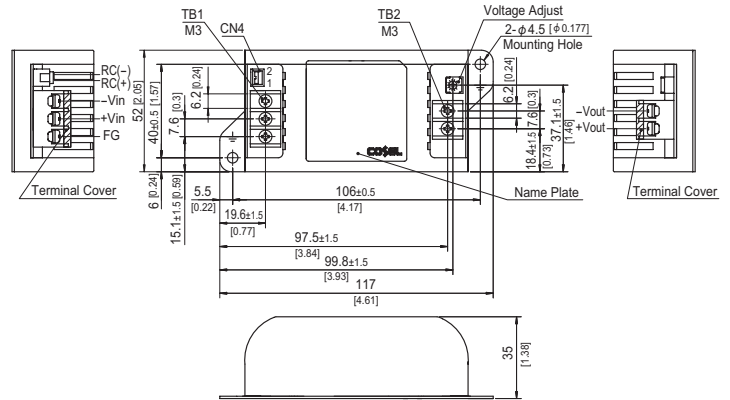
- * Tolerance ±1
- * Dimensions in mm, []=inches
- * Weight : Standard & Connector type 110g max
Case cover & DIN rail installation type 120g max
- * PCB material / thickness : FR-4 / 1.6mm
- * Mounting plate : Iron (surface finishing : nickel plating) t=1.0 [0.04]
- * Case : PBT
- * Terminal block screw tightening torque M3 : 0.8N · m (8.5kgf · cm) max
- * CN4 has been installed jumper as factory setting (Except option R).
When remote ON/OFF is used , please remove the installed jumper.
- * Connector Type : Keep drawing current per pin below 2.5A for CN2.

External view (Option type)

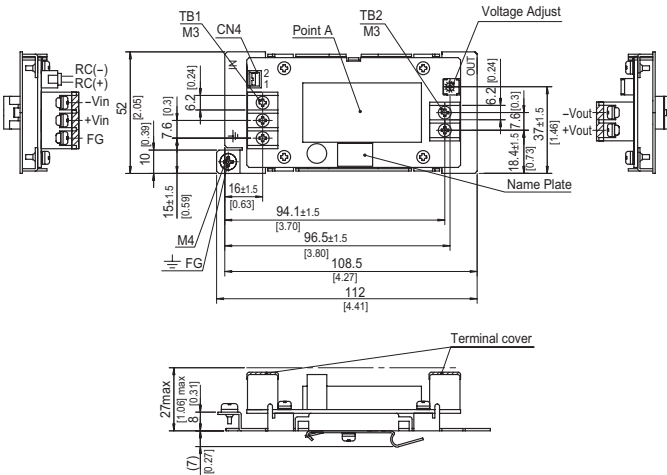
Connector type (-J)



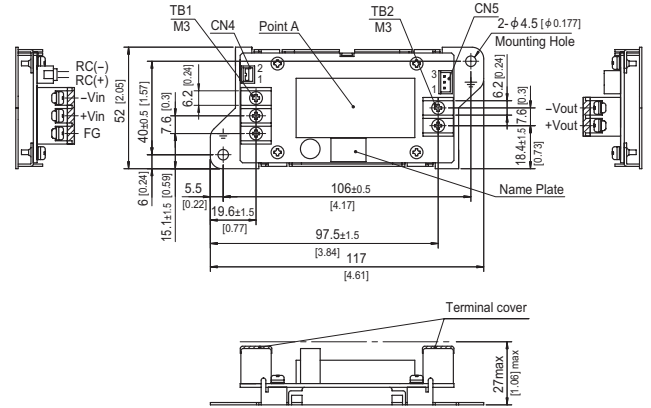
Case cover type (-N1)



DIN rail installation type (-N2)



External voltage variable volume type (-V)



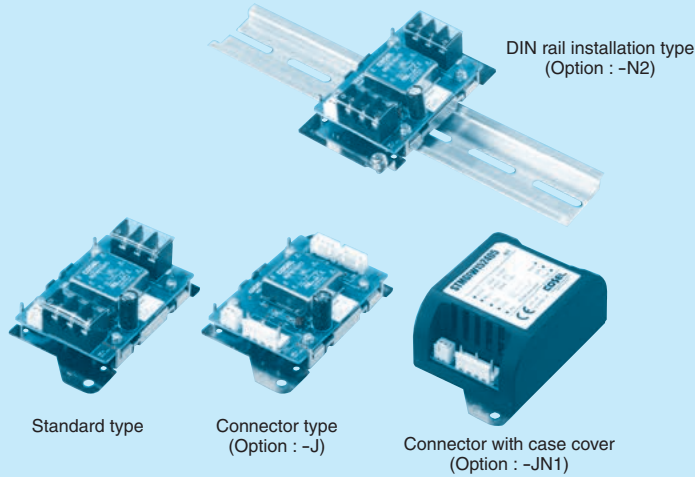
	I/O Connector		Mating Connector	Terminal
Connector Type Input	CN1	B3P5-VH	VHR-5N	Chain : SVH-21T-P1.1 Loose : BVH-21T-P1.1
Connector Type Output	CN2	B4P-VH	VHR-4N	Chain : SVH-21T-P1.1 Loose : BVH-21T-P1.1
Remote ON/OFF	CN4	B2B-XH	XHP-2	Chain : SXH-001T-P0.6 Loose : BXH-001T-P0.6
External voltage variable volume type	CN5	B3B-XH	XHP-3	Chain : SXH-001T-P0.6 Loose : BXH-001T-P0.6

(Mfr.:J.S.T.)

- * Tolerance ± 1
- * Dimensions in mm, []=inches
- * Weight : Standard & Connector type 140g max
Case cover & DIN rail installation type 160g max
- * PCB material / thickness : FR-4 / 1.6mm
- * Mounting plate : Iron (surface finishing : nickel plating) $t=1.0$ [0.04]
- * Case : PBT
- * Terminal block screw tightening torque M3 : $0.8N \cdot m$ (8.5kgf \cdot cm) max
- * CN4 has been installed jumper as factory setting (Except option R).
When remote ON/OFF is used, please remove the installed jumper.
- * Connector Type : Keep drawing current per pin below 5A for CN2.

STMGF15

STMGF W 15 24 05 -□



- ① Series name
- ② Dual output
- ③ Output wattage
- ④ Input voltage
- ⑤ Output voltage
- ⑥ Optional
 - G: Capacitor between Input and Output is removed.
 - R: with Remote ON/OFF (Positive logic control)
 - J: Input/Output Connector
 - JN1: Connector with case cover
 - N2: With DIN rail installation type
 - JN3: Connector with cover(plastic) and DIN rail installation type

*When the option is set specifications may vary.

*Please remove short piece on CN4 to enable remote ON/OFF function.

MODEL	STMGF152405	STMGF152412	STMGF152415	STMGF154805	STMGF154812	STMGF154815
MAX OUTPUT WATTAGE[W]	15	15.6	15	15	15.6	15
DC OUTPUT	VOLTAGE[V] *1	±5 or +10	±12 or +24	±15 or +30	±5 or +10	±12 or +24
	CURRENT[A]	1.5	0.65	0.5	1.5	0.65

SPECIFICATIONS

	MODEL	STMGF152405	STMGF152412	STMGF152415	STMGF154805	STMGF154812	STMGF154815	
INPUT	VOLTAGE[V]	DC9 - 36			DC18 - 76			
	CURRENT[A] *2	0.74typ	0.74typ	0.70typ	0.37typ	0.37typ	0.36typ	
	EFFICIENCY[%] *2	84typ	88typ	89typ	84typ	87typ	88typ	
OUTPUT	VOLTAGE[V]	±5(+10)	±12(+24)	±15(+30)	±5(+10)	±12(+24)	±15(+30)	
	CURRENT[A]	1.5	0.65	0.5	1.5	0.65	0.5	
	LINE REGULATION[mV]	40max	60max	75max	40max	60max	75max	
	LOAD REGULATION[mV]	*3	500max *5	600max	750max	500max *5	600max	750max
		*4	250max	480max	600max	250max	480max	600max
	RIPPLE[mVp-p] *6	0 to +60°C	100max	100max	100max	100max	100max	100max
		-20 to +60°C	120max	120max	120max	120max	120max	120max
	RIPPLE NOISE[mVp-p] *6	0 to +60°C	150max	150max	150max	150max	150max	150max
		-20 to +60°C	200max	200max	200max	200max	200max	200max
	TEMPERATURE REGULATION[mV]	0 to +60°C	50max	150max	180max	50max	150max	180max
		-20 to +60°C	80max	240max	290max	80max	240max	290max
DRIFT[mV] *7	50max	50max	60max	50max	50max	60max		
START-UP TIME[ms]	30max (Minimum input, Io=100%)							
OUTPUT VOLTAGE SETTING[V]*8	4.93 - 5.24	11.76 - 12.50	14.60 - 15.51	4.93 - 5.24	11.76 - 12.50	14.60 - 15.51		
PROTECTION CIRCUIT AND OTHERS	OVERCURRENT PROTECTION	Works over 105% of rating and recovers automatically						
	REMOTE ON/OFF	Provided (Negative logic L:ON, H:OFF)						
ISOLATION	INPUT · RC-OUTPUT	DC1,500V 1minute, Cutoff current = 10mA, DC500V 1,000MΩ min (20±15°C)						
	INPUT · RC-FG	DC1,000V 1minute, Cutoff current = 10mA, DC500V 1,000MΩ min (20±15°C)						
	OUTPUT-FG	DC1,000V 1minute, Cutoff current = 10mA, DC500V 1,000MΩ min (20±15°C)						
ENVIRONMENT	OPERATING TEMP.,HUMID.AND ALTIUDE	-20 to +70°C, 20 to 95%RH (Non condensing) (Required Derating), 3,000m (10,000feet) max						
	STORAGE TEMP.,HUMID.AND ALTIUDE	-20 to +75°C, 20 to 95%RH (Non condensing), 9,000m (30,000feet) max						
	VIBRATION	10 - 55Hz, 19.6m/s ² (2G), 3minutes period, 60minutes each along X, Y and Z axis						
	IMPACT	196.1m/s ² (20G), 11ms, once each along X, Y and Z axis						
SAFETY	AGENCY APPROVALS	UL60950-1, C-UL, EN60950-1 Complies						
OTHERS	CASE SIZE/WEIGHT	52×27×93mm [2.05×1.06×3.66 inches] (W×H×D) / 110g max (When the option is set, refer to the page STMG-9)						
	COOLING METHOD	Convection/Forced air						

*1 Single output +10V, +24V, +30V with no use of COM.

*2 Rated input 12V, 24V or 48V DC Io=100%

*3 Symmetrical loading from 5% to 100%.

*4 Symmetrical loading from 20% to 100%.

*5 Refer to the instruction manual 6.

*6 Measured by 100MHz oscilloscope or Ripple-Noise meter (Equivalent to KIKUSUI-GIKEN : RM103).

*7 Drift is the DC output accuracy for eight hours period after a half-hour warm-up at 25°C.

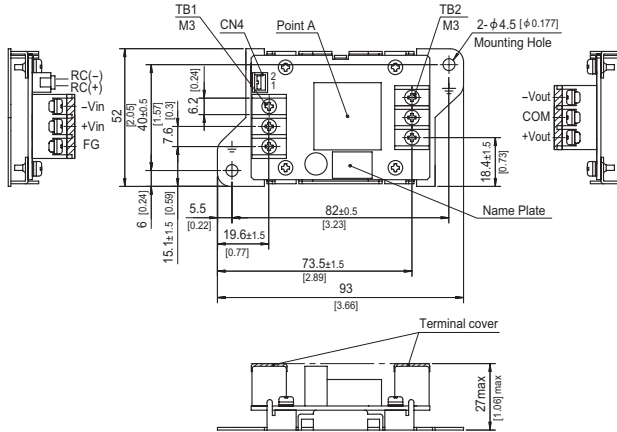
*8 Rated input voltage (DC24V, DC48V), rated output wattage, ambient temperature at 25°C.

* Parallel operation with other model is not possible.

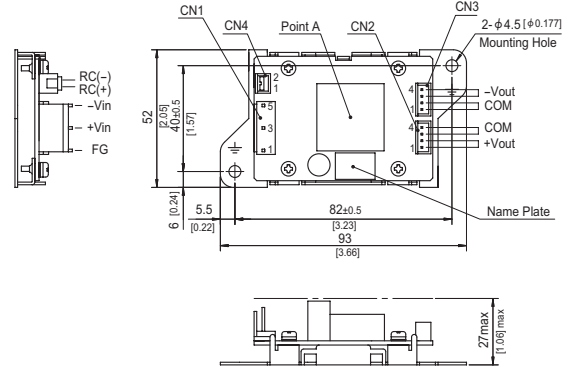
External view

Standard type

* External view of option G, R are the same as standard model.

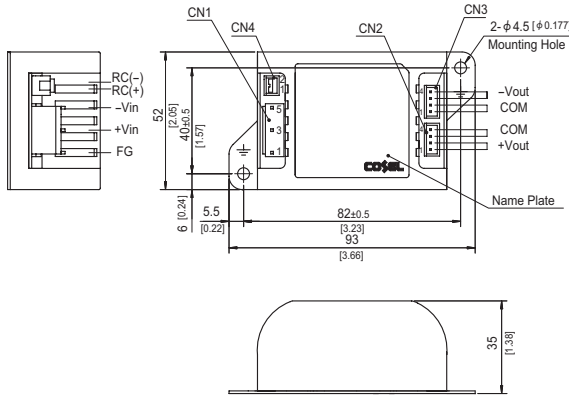


Connector type (-J)

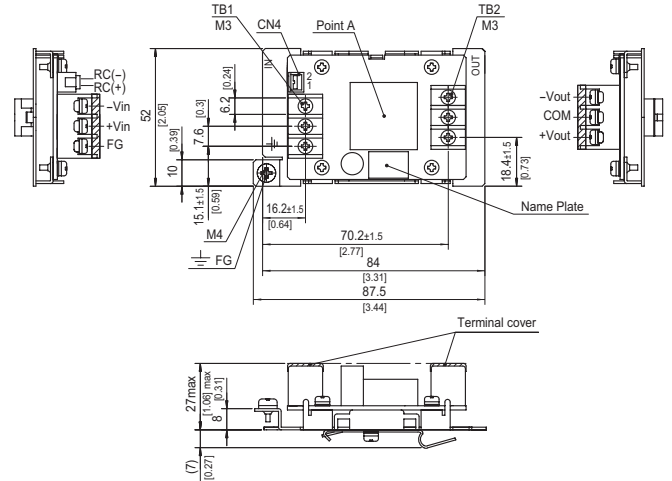


Case cover and connector type (-JN1)

* The specifications of terminal block and Case cover type can not be set.



DIN rail installation type (-N2)



	I/O Connector		Mating Connector	Terminal
Connector Type Input	CN1	B3P5-VH	VHR-5N	Chain : SVH-21T-P1.1 Loose : BVH-21T-P1.1
Connector Type Output	CN2, CN3	B4B-XH	XHP-4	Chain : SXH-001T-P0.6 Loose : BXH-001T-P0.6
Remote ON/OFF	CN4	B2B-XH	XHP-2	Chain : SXH-001T-P0.6 Loose : BXH-001T-P0.6

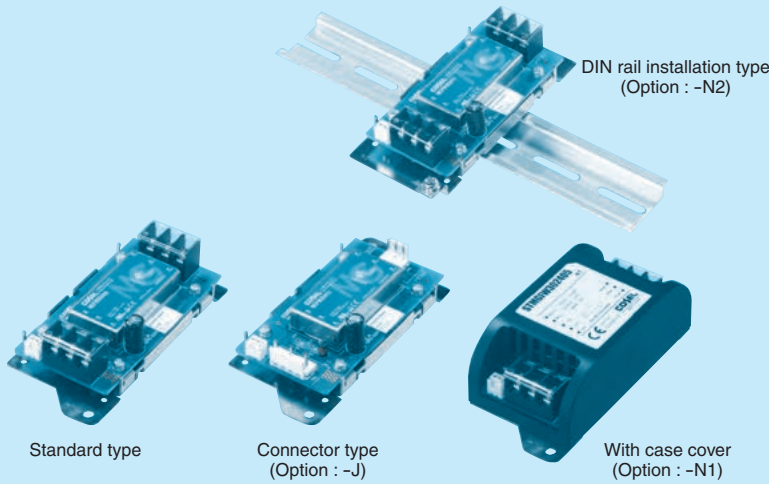
(Mfr.:J.S.T.)

- * Tolerance ±1
- * Dimensions in mm, []=inches
- * Weight : Standard & Connector type 110g max
Case cover & DIN rail installation type 120g max
- * PCB material / thickness : FR-4 / 1.6mm
- * Mounting plate : Iron (surface finishing : nickel plating) t=1.0 [0.04]
- * Case : PBT
- * Terminal block screw tightening torque M3 : 0.8N · m (8.5kgf · cm) max
- * CN4 has been installed jumper as factory setting (Except option R).
When remote ON/OFF is used , please remove the installed jumper.
- * Connector Type : Keep drawing current per pin below 2.5A for CN2,CN3.

STMGFW30

STMGF W 30 24 05 -□

① ② ③ ④ ⑤ ⑥



- ① Series name
- ② Dual output
- ③ Output wattage
- ④ Input voltage
- ⑤ Output voltage
- ⑥ Optional
 - G: Capacitor between Input and Output is removed.
 - R: with Remote ON/OFF (Positive logic control)
 - J: Input/Output Connector
 - N1: With case cover
 - N2: With DIN rail installation type
 - N3: With cover(plastic) and DIN rail installation type

*When the option is set specifications may vary.

*Please remove short piece on CN4 to enable remote ON/OFF function.

MODEL	STMGFW302405	STMGFW302412	STMGFW302415	STMGFW304805	STMGFW304812	STMGFW304815
MAX OUTPUT WATTAGE[W]	20	30	30	20	30	30
DC OUTPUT	VOLTAGE[V] *1	±5 or +10	±12 or +24	±15 or +30	±5 or +10	±12 or +24
	CURRENT[A]	2	1.25	1	2	1.25

SPECIFICATIONS

	MODEL	STMGFW302405	STMGFW302412	STMGFW302415	STMGFW304805	STMGFW304812	STMGFW304815	
INPUT	VOLTAGE[V]	DC9 - 36			DC18 - 76			
	CURRENT[A] *2	0.98typ	1.42typ	1.44typ	0.49typ	0.71typ	0.72typ	
	EFFICIENCY[%] *2	85typ	88typ	87typ	85typ	88typ	87typ	
OUTPUT	VOLTAGE[V]	±5(+10)	±12(+24)	±15(+30)	±5(+10)	±12(+24)	±15(+30)	
	CURRENT[A]	2	1.25	1	2	1.25	1	
	LINE REGULATION[mV]	40max	60max	75max	40max	60max	75max	
	LOAD REGULATION[mV]	*3	500max *5	600max	750max	500max *5	600max	750max
		*4	250max	480max	600max	250max	480max	600max
	RIPPLE[mVp-p] *6	0 to +60°C	100max	100max	100max	100max	100max	100max
		-20 to +60°C	120max	120max	120max	120max	120max	120max
	RIPPLE NOISE[mVp-p] *6	0 to +60°C	150max	150max	150max	150max	150max	150max
		-20 to +60°C	200max	200max	200max	200max	200max	200max
	TEMPERATURE REGULATION[mV]	0 to +60°C	50max	150max	180max	50max	150max	180max
		-20 to +60°C	80max	240max	290max	80max	240max	290max
DRIFT[mV] *7	50max	50max	60max	50max	50max	60max		
START-UP TIME[ms]	30max (Minimum input, Io=100%)							
OUTPUT VOLTAGE SETTING[V]*8	4.93 - 5.24	11.76 - 12.50	14.60 - 15.51	4.93 - 5.24	11.76 - 12.50	14.60 - 15.51		
PROTECTION CIRCUIT AND OTHERS	OVERCURRENT PROTECTION	Works over 105% of rating and recovers automatically						
	OVERVOLTAGE PROTECTION[V]	Works over 120 to 160% of rating (Total of +V and -V)						
	REMOTE ON/OFF	Provided (Negative logic L:ON, H:OFF)						
ISOLATION	INPUT · RC-OUTPUT	DC1,500V 1minute, Cutoff current = 10mA, DC500V 1,000MΩ min (20±15°C)						
	INPUT · RC-FG	DC1,000V 1minute, Cutoff current = 10mA, DC500V 1,000MΩ min (20±15°C)						
	OUTPUT-FG	DC1,000V 1minute, Cutoff current = 10mA, DC500V 1,000MΩ min (20±15°C)						
ENVIRONMENT	OPERATING TEMP., HUMID. AND ALTITUDE	-20 to +70°C, 20 to 95%RH (Non condensing) (Required Derating), 3,000m (10,000feet) max						
	STORAGE TEMP., HUMID. AND ALTITUDE	-20 to +75°C, 20 to 95%RH (Non condensing), 9,000m (30,000feet) max						
	VIBRATION	10 - 55Hz, 19.6m/s ² (2G), 3minutes period, 60minutes each along X, Y and Z axis						
	IMPACT	196.1m/s ² (20G), 11ms, once each along X, Y and Z axis						
SAFETY	AGENCY APPROVALS	UL60950-1, C-UL, EN60950-1 Complies						
OTHERS	CASE SIZE/WEIGHT	52 X 27 X 117mm [2.05x1.06x4.61 inches] (W X H X D) / 140g max (When the option is set, refer to the page STMG-11)						
	COOLING METHOD	Convection/Forced air						

*1 Single output +10V, +24V, +30V with no use of COM.

*2 Rated input 12V, 24V or 48V DC Io=100%

*3 Symmetrical loading from 5% to 100%.

*4 Symmetrical loading from 20% to 100%.

*5 Refer to the instruction manual 6.

*6 Measured by 100MHz oscilloscope or Ripple-Noise meter (Equivalent to KIKUSUI-GIKEN : RM103).

*7 Drift is the DC output accuracy for eight hours period after a half-hour warm-up at 25°C.

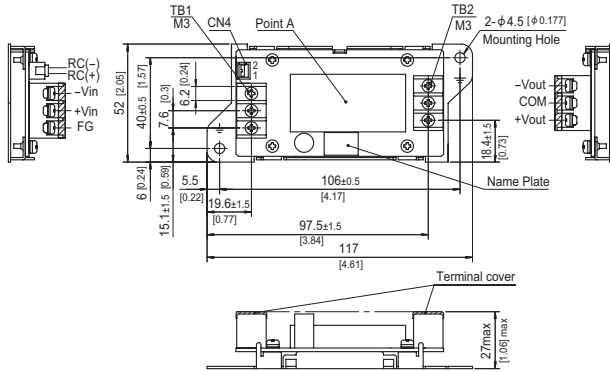
*8 Rated input voltage (DC24V, DC48V), rated output wattage, ambient temperature at 25°C.

* Parallel operation with other model is not possible.

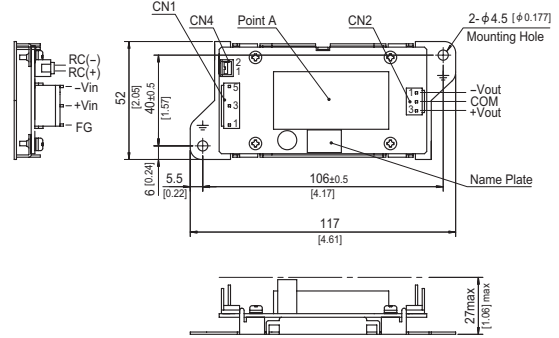
External view

Standard type

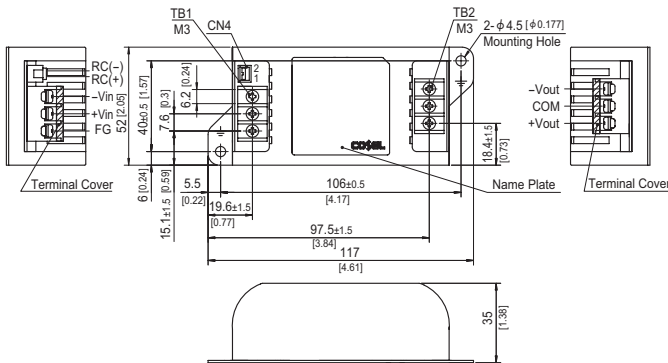
* External view of option G, R are the same as standard model.



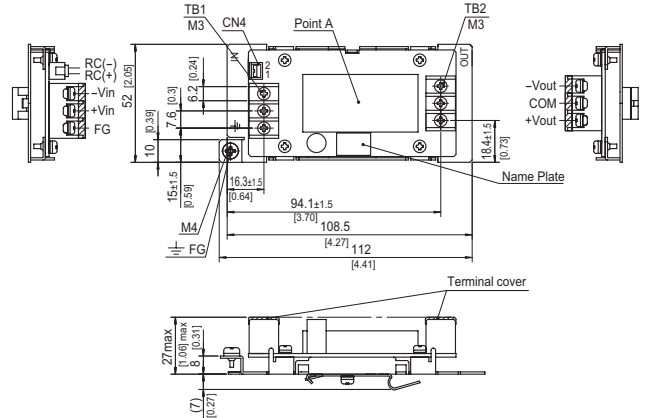
Connector type (-J)



Case cover type (-N1)



DIN rail installation type (-N2)



	I/O Connector		Mating Connector	Terminal
Connector Type Input	CN1	B3P5-VH	VHR-5N	Chain : SVH-21T-P1.1 Loose : BVH-21T-P1.1
Connector Type Output	CN2	B3P-VH	VHR-3N	Chain : SVH-21T-P1.1 Loose : BVH-21T-P1.1
Remote ON/OFF	CN4	B2B-XH	XHP-2	Chain : SXH-001T-P0.6 Loose : BXH-001T-P0.6

(Mfr.:J.S.T.)

- * Tolerance ±1
- * Dimensions in mm, []=inches
- * Weight : Standard & Connector type 140g max
Case cover & DIN rail installation type 160g max
- * PCB material / thickness : FR-4 / 1.6mm
- * Mounting plate : Iron (surface finishing : nickel plating) t=1.0 [0.04]
- * Case : PBT
- * Terminal block screw tightening torque M3 : 0.8N · m (8.5kgf · cm) max
- * CN4 has been installed jumper as factory setting (Except option R).
When remote ON/OFF is used, please remove the installed jumper.
- * Connector Type : Keep drawing current per pin below 5A for CN2.