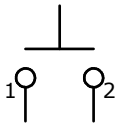


PANEL MOUNTING



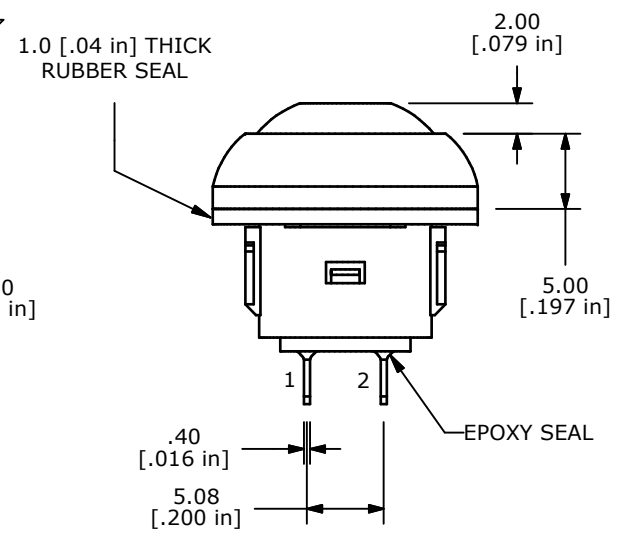
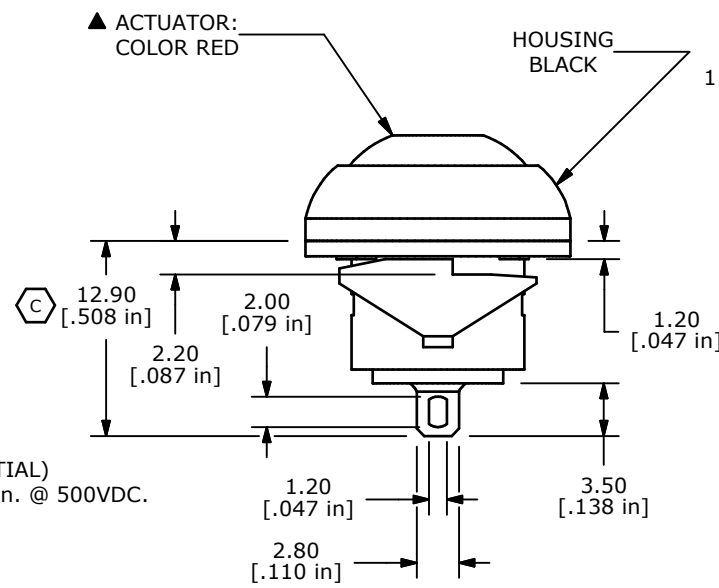
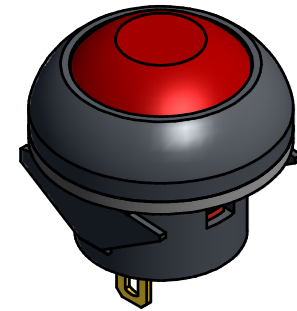
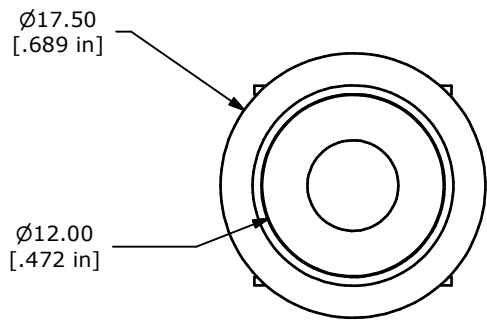
▲CIRCUIT: SPST  
OFF-(ON)  
MOMENTARY (B)

NOTE:

1. ALL DIMENSIONS IN MM [INCH]
2. GENERAL TOLERANCE: X.X=±0.4  
X.XX=±0.25
3. TERMINAL NUMBERS FOR REF ONLY
4. CIRCUIT: SPST OFF-MOMENTARY ON
5. CONTACT MATERIAL: GOLD over SILVER
- ▲6. RATING: 125mA @ 125 VAC  
100mA @ 50 VDC
- ▲7. ELECTRIC LIFE: 500,000 CYCLES AT FULL LOAD
8. CONTACT RESISTANCE: 50 milli-OHM max. (INITIAL)
9. INSULATION RESISTANCE: 1,000 MEGA-OHM min. @ 500VDC.
10. DIELECTRIC STRENGTH: 1,000 VAC rms.
- ▲11. OPERATING FORCE: 350 gf +/- 150 gf
12. OPERATING TEMPERATURE: -30°C TO +85°C.
13. CONTACT BOUNCE: 10ms MAX.
- ▲14. TRAVEL: 1.5mm
15. PANEL THICKNESS RANGE: 0.8 - 1.8 mm.
16. ▲DENOTES CRITICAL PARAMETER.
17. 2002/95/EC (ROHS) COMPLIANT
18. HARDWARE INCLUDED:

1. T081100 RUBBER SEAL (1)

(B) 19. SEAL RATING: IP67 AT THE FRONT PANEL (D)



D	21593	CHANGE NOTE 19: IP67 WAS IP65	9/24/14	EBP
C	19489	CORRECT NOTE & DIM / DWG CLEAN-UP	12/01/10	BMA
B	19358	MISC. DRAWING UPDATES	10/25/10	BMA
A	17947	RELEASE FOR PRODUCTION	2/7/08	BLR
REV	PCR NO	DESCRIPTION	DATE	BY



TITLE RP8100B1M1CEBLKREDNIL

SCALE	2 : 1	DATE	2/7/2008	DR	BLR	DWG	ST081025	REV	D
-------	-------	------	----------	----	-----	-----	----------	-----	---

THE INFORMATION CONTAINED IN THIS DOCUMENT IS PROPRIETARY TO E-SWITCH AND IS NOT TO BE COPIED OR TRANSFERRED