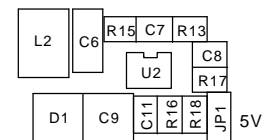
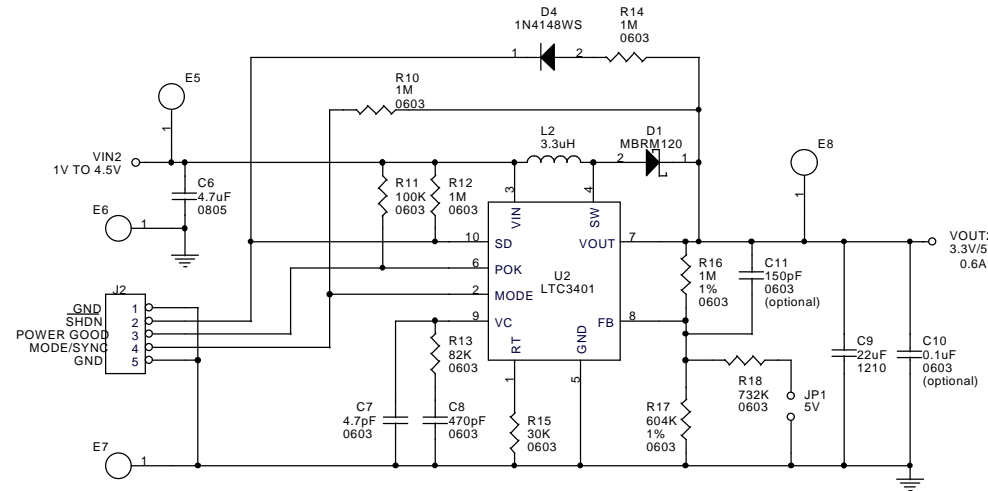


PCB SILKSCREEN



PCB SILKSCREEN

LINEAR TECHNOLOGY CORPORATION
 1630 McCARTHY BLVD.
 MILPITAS, CA 95035
 (408) 432-1900
 (408) 434-0507 FAX

Title: **2 Circuits, 1W & 3W Synchronous Boost Regulator**

Size	Document Number	Rev
	DEMO DC308 LTC3401EMS10	1

Date: Wednesday, March 20, 2002 Sheet 1 of 1