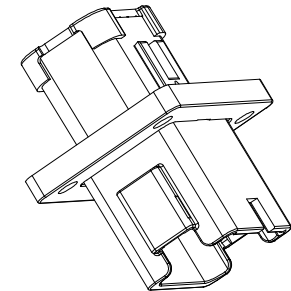
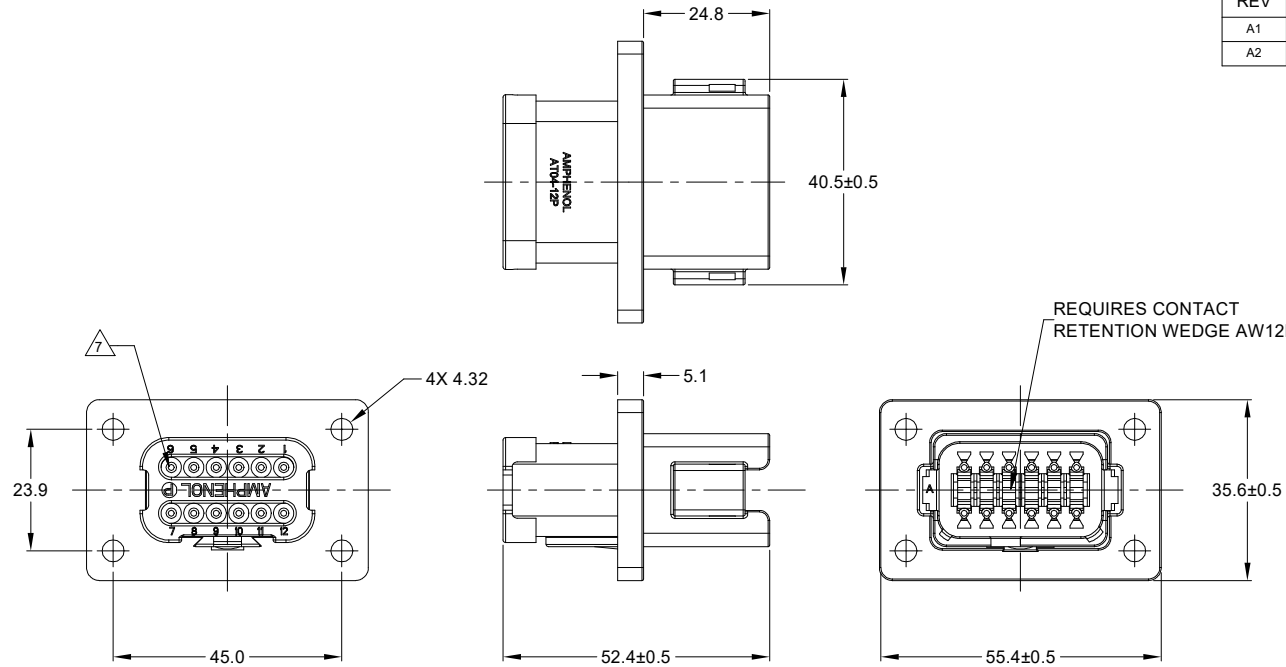


REVISIONS					
REV	ECO	DESCRIPTION	DATE	BY	APPR
A1	-	RELEASE NUMBER	30/NOV/18	BROOK	TOMMY
A2	C1403S	UPDATE THE APPEARANCE	11/NOV/21	LOUIE	TOMMY



NOTES: UNLESS OTHERWISE SPECIFIED

1. SEE SHEET 2 FOR KEY ARRANGEMENTS AND COLORS.

2. MATERIAL:  
HOUSING: THERMOPLASTIC  
SEAL: SILICONE RUBBER

3. MODIFICATIONS: FLANGE, END CAP

4. SPECIFICATIONS:
- 4.1 CURRENT RATING: 13 AMPS
  - 4.2 OPERATING TEMPERATURE: -55°C TO +125°C.
  - 4.3 DIELECTRIC WITHSTANDING VOLTAGE: LESS THAN 2 MILLIAMPS CURRENT LEAKAGE @ 1500 VOLTS AC.
  - 4.4 INSULATION RESISTANCE: 1000 MEGOHMS MIN @ 25°C.
  - 4.5 MOISTURE RESISTANCE: IP69K&IP68 ( 1M OF WATER FOR A PERIOD OF 24 HOURS, MATED CONDITION )
  - 4.6 MATING CYCLE DURABILITY: 100 CYCLES
  - 4.7 RoHS COMPLIANT

7. CONTACT SIZE AND REAR SEAL WIRE RANGE:

CONTACT SIZE	MIN. INSUL O.D.	MAX. INSUL O.D.	TYPICAL WIRE RANGE
16	2.24 mm (.088 in)	3.68 mm (.145 in)	14 - 20 AWG

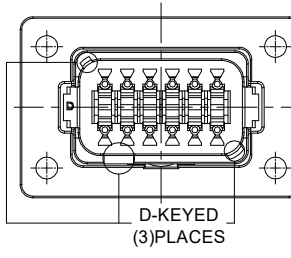
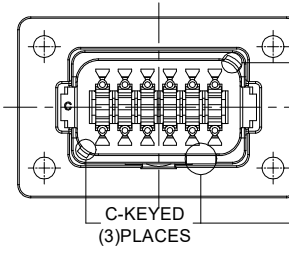
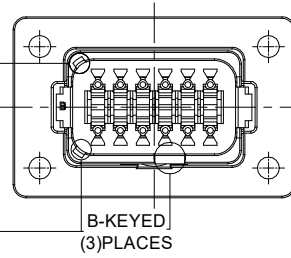
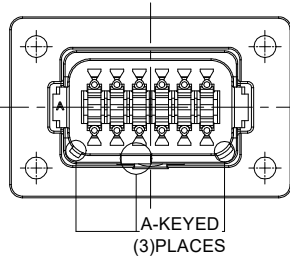
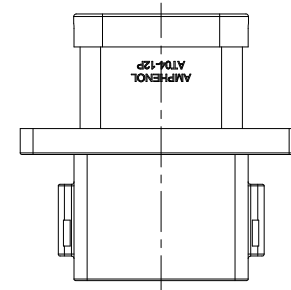
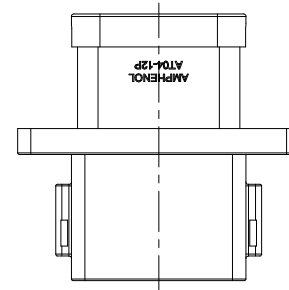
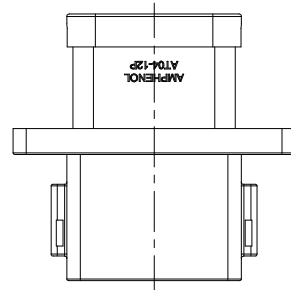
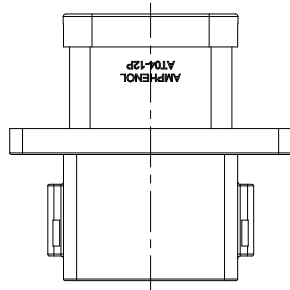
5. MATING PART: AT06-12SX\* PLUG.  
( X=A,B,C,D KEYS, \* = MODIFICATIONS AND COLORS )

6. ALL DIMENSIONS ARE FOR REFERENCE USE ONLY.

SEE SHEET 2		REF: DT04-12PA-BL05 - DT04-12PB-BL05 - DT04-12PC-BL05 - DT04-12PD-BL05		ITEM
QUANTITY	PART NUMBER	DESCRIPTION		
		12P RECEPTACLE,FLANGE MOUNT,ENHANCE KEY,END CAP		
UNLESS OTHERWISE SPECIFIED		SIGNATURES		DATE
1) All dimensions are in metric(mm).		DRAWN: LOUIE	11/NOV/21	
2) Tolerances are as follows:		CHECKED: ORION	12/NOV/21	
1 PL DEC ±0.30		ENGINEER:		
2 PL DEC ±0.15		APPROVAL: TOMMY	15/NOV/21	
3 PL DEC ±0.08		CUSTOMER:		
3) Note reference =		MATERIAL SPECIFICATIONS:		
WEIGHT: 28.9g		PROCESS SPECIFICATIONS:		
NEXT ASSY:		THIS DRAWING IS SUPPLIED FOR INFORMATION ONLY. DESIGN FEATURES, SPECIFICATIONS AND PERFORMANCE DATA SHOWN HEREON ARE THE PROPERTY OF THE AMPHENOL CORPORATION. NO RIGHTS OF REPRODUCTION ARE IMPLIED. ALL DIMENSIONS ARE SUBJECT TO NORMAL MANUFACTURING VARIATIONS.		
MATERIAL SPECIFICATIONS:		SIZE		REVISION
WEIGHT: 28.9g		B C-		A2
NEXT ASSY:		SCALE		
		NONE		
		SHEET		1 OF 3

TITLE: 12P RECEPTACLE,FLANGE MOUNT,ENHANCE KEY,END CAP  
DWG NO.: AT04-12PX-BL05  
REV: A2  
SH: 1  
OF: 3

REVISIONS					
REV	ECO	DESCRIPTION	DATE	BY	APPR
A1	-	RELEASE NUMBER	30/NOV/18	BROOK	TOMMY
A2	C1403S	UPDATE THE APPEARANCE	11/NOV/21	LOUIE	TOMMY



KEY-A CONFIGURATION	
COLOR	PART NUMBER
GREY	AT04-12PA-BL05

KEY-B CONFIGURATION	
COLOR	PART NUMBER
BLACK	AT04-12PB-BL05

KEY-C CONFIGURATION	
COLOR	PART NUMBER
GREEN	AT04-12PC-BL05

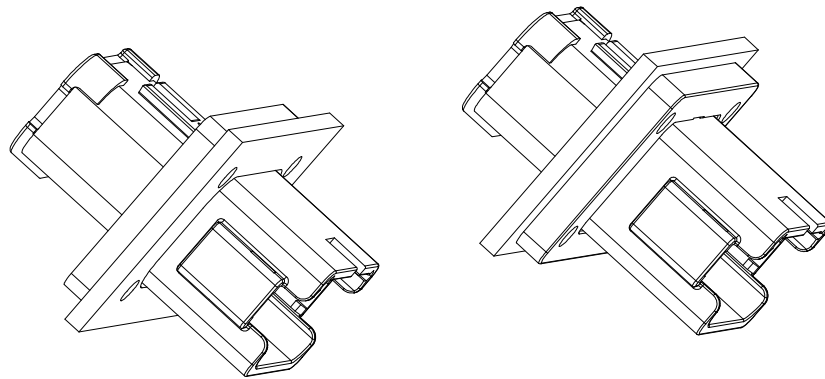
KEY-D CONFIGURATION	
COLOR	PART NUMBER
BROWN	AT04-12PD-BL05

QUANTITY	SEE SHEET 2	DESCRIPTION	ITEM
PART NUMBER			
<b>MATERIALS LIST</b>			
<b>UNLESS OTHERWISE SPECIFIED</b> 1) All dimensions are in metric(mm). 2) Tolerances are as follows: 1 PL DEC ±0.30 2 PL DEC ±0.15 3 PL DEC ±0.08 Fractions ±1/64 Angles ±1° 3) Note reference =		<b>SIGNATURES</b> <b>DATE</b> DRAWN: LOUIE    11/NOV/21 CHECKED: ORION    12/NOV/21 ENGINEER: APPROVAL: TOMMY    15/NOV/21 CUSTOMER:	
<b>MATERIAL SPECIFICATIONS:</b> WEIGHT: 28.9g		 Sine Systems - www.amphenol-sine.com 44724 Morley Drive Clinton Township, MI 48036	
<b>PROCESS SPECIFICATIONS:</b>		THIS DRAWING IS SUPPLIED FOR INFORMATION ONLY. DESIGN FEATURES, SPECIFICATIONS AND PERFORMANCE DATA SHOWN HEREON ARE THE PROPERTY OF THE AMPHENOL CORPORATION. NO RIGHTS OF REPRODUCTION ARE IMPLIED. ALL DIMENSIONS ARE SUBJECT TO NORMAL MANUFACTURING VARIATIONS.	
<b>NEXT ASSY:</b>		THIS DRAWING IS SUPPLIED FOR INFORMATION ONLY. DESIGN FEATURES, SPECIFICATIONS AND PERFORMANCE DATA SHOWN HEREON ARE THE PROPERTY OF THE AMPHENOL CORPORATION. NO RIGHTS OF REPRODUCTION ARE IMPLIED. ALL DIMENSIONS ARE SUBJECT TO NORMAL MANUFACTURING VARIATIONS.	
		<b>SIZE</b> <b>TYPE</b> <b>DWG NO.</b> B    C-    AT04-12PX-BL05	<b>REVISION</b> A2
		<b>SCALE</b> NONE	SHEET 2 OF 3

TITLE: 12P RECEPTACLE FLANGE MOUNT ENHANCE KEY END CAP  
 DWG NO.: AT04-12PX-BL05  
 REV: A2  
 SH: 2  
 OF: 3

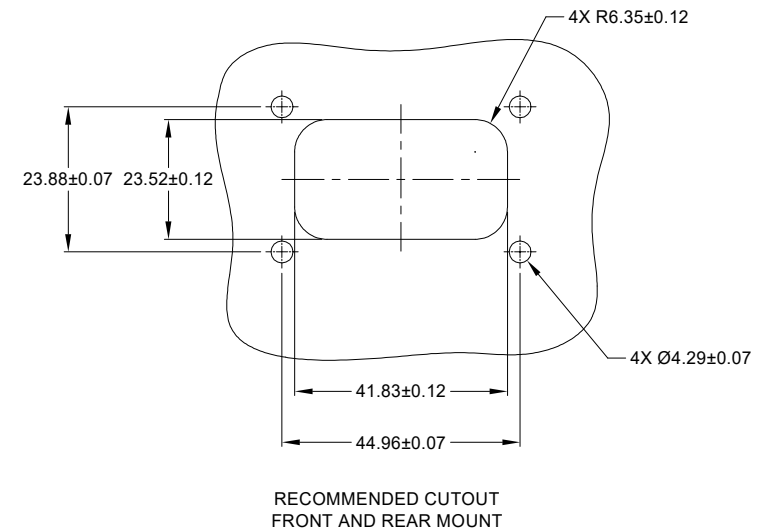
REVISIONS					
REV	ECO	DESCRIPTION	DATE	BY	APPR
A1	-	RELEASE NUMBER	30/NOV/18	BROOK	TOMMY
A2	C1403S	UPDATE THE APPEARANCE	11/NOV/21	LOUIE	TOMMY

FOR REFERENCE ONLY



FRONT MOUNT

REAR MOUNT



RECOMMENDED CUTOUT  
FRONT AND REAR MOUNT

TITLE: 12P RECEPTACLE FLANGE MOUNT ENHANCE KEY END CAP  
DWG NO.: AT04-12PX-BL05  
REV: A2  
SH: 3  
OF: 3

QUANTITY	SEE SHEET 2	DESCRIPTION	ITEM
	PART NUMBER		
<b>MATERIALS LIST</b>			
<b>UNLESS OTHERWISE SPECIFIED</b> 1) All dimensions are in metric(mm). 2) Tolerances are as follows: 1 PL DEC ±0.30 2 PL DEC ±0.15 3 PL DEC ±0.08 Fractions ±1/64 Angles ±1° 3) Note reference =		<b>SIGNATURES</b> <b>DATE</b> DRAWN: LOUIE    11/NOV/21 CHECKED: ORION    12/NOV/21 ENGINEER: APPROVAL: TOMMY    15/NOV/21 CUSTOMER:	
MATERIAL SPECIFICATIONS:		<b>Amphenol</b> Sine Systems - www.amphenol-sine.com 44724 Morley Drive Clinton Township, MI 48036	
WEIGHT: 28.9g			
PROCESS SPECIFICATIONS:		12P RECEPTACLE, FLANGE MOUNT, ENHANCE KEY, END CAP	
NEXT ASSY:		THIS DRAWING IS SUPPLIED FOR INFORMATION ONLY. DESIGN FEATURES, SPECIFICATIONS AND PERFORMANCE DATA SHOWN HEREON ARE THE PROPERTY OF THE AMPHENOL CORPORATION. NO RIGHTS OF REPRODUCTION ARE IMPLIED. ALL DIMENSIONS ARE SUBJECT TO NORMAL MANUFACTURING VARIATIONS.	
		SIZE: B C- SCALE: NONE	DWG NO.: AT04-12PX-BL05 REVISION: A2 SHEET 3 OF 3