

PRODUCT CHANGE NOTIFICATION

#PCN-DC-7K9F-15

Business Unit	Product Line Code	Type of Change	Action	Date of issue
DC	AAY	Mechanical	Notify Distributors and Field	7/30/2015

The following Phoenix Contact products have been modified. Existing specifications will be met or exceeded. Please review and acknowledge this document and inform your personnel as needed.

Description of Change:

Due to continuous process improvements, we have found that a slight revision to our injection tool will aid in mechanical support and guiding of the solder tail on our vertical headers. The products dimensions, drilling diagram, and electrical ratings are not affected by this change.

Warranty Information:

N/A

Stock Status

Can existing stock still be used? Y

Is mixture of stock acceptable? N

Transaction Dates:

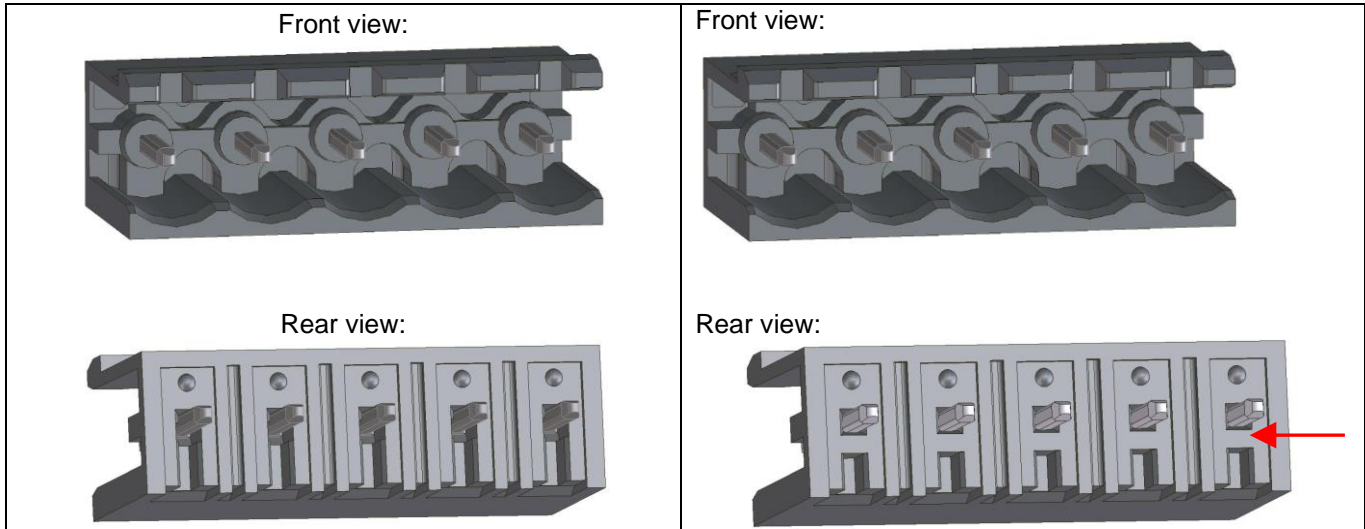
Date modification goes into effect from Germany: 7/30/2015

Expected first shipment (from Phoenix Contact) of the modified product(s): 11/2/2015

Previous Product

New Product

PRODUCT CHANGE NOTIFICATION



Should you have any issues with the timeline or content of this change, please contact Phoenix Contact using the contact information below. Customers should acknowledge receipt of the PCN within 30 days of delivery of the PCN; provided, however that the failure to acknowledge receipt does not affect the product change or the effective date thereof.

Contact Info:

ANDREW BOGACZYK
(800)888-7388x3075
abogaczyk@phoenixcon.com

Thank you,

James Dunbar, Product Marketing Manager

PRODUCT CHANGE NOTIFICATION

Part#	Type Description
5433011	BCH-500VS- 2 GY
5433024	BCH-500VS- 3 GY
5433037	BCH-500VS- 4 GY
5433040	BCH-500VS- 5 GY
5433053	BCH-500VS- 6 GY
5433066	BCH-500VS- 7 GY
5433079	BCH-500VS- 8 GY
5433121	BCH-500VS-13 GY
5433927	BCH-508V- 5 GY
5433956	BCH-508V- 8 GY
5433969	BCH-508V- 9 GY
5434188	BCH-508VF- 8 GY
5434243	BCH-508VF-14 GY
5434311	BCH-508VS- 2 GY
5434324	BCH-508VS- 3 GY
5434337	BCH-508VS- 4 GY
5434340	BCH-508VS- 5 GY
5434379	BCH-508VS- 8 GY
5434418	BCH-508VS-12 GY
5441634	BCH-500VS- 2 BK VPE500
5441919	BCH-508VS- 6 GN
5441922	BCH-508VS- 7 GN
5441935	BCH-508VS- 8 GN
5445669	BCH-500V- 2 GN
5445672	BCH-500V- 3 GN
5445685	BCH-500V- 4 GN
5445698	BCH-500V- 5 GN
5446082	BCH-500VS- 2 GN
5446095	BCH-500VS- 3 GN
5446105	BCH-500VS- 4 GN
5446118	BCH-500VS- 5 GN
5446121	BCH-500VS- 6 GN
5446147	BCH-500VS- 8 GN
5446150	BCH-500VS- 9 GN
5446163	BCH-500VS-10 GN
5446176	BCH-500VS-11 GN
5446189	BCH-500VS-12 GN
5446215	BCH-500VS-15 GN
5446309	BCH-500VS-24 GN
5446930	BCH-508V- 2 GN
5446943	BCH-508V- 3 GN
5446956	BCH-508V- 4 GN
5447353	BCH-508VS- 2 GN
5447366	BCH-508VS- 3 GN
5447379	BCH-508VS- 4 GN
5447382	BCH-508VS- 5 GN
5447405	BCH-508VS-10 GN

PRODUCT CHANGE NOTIFICATION

Part#	Type Description
5447421	BCH-508VS-12 GN
5447450	BCH-508VS-15 GN
5447463	BCH-508VS-16 GN
5452130	BCH-500VS- 2 BK
5452131	BCH-500VS- 3 BK
5452133	BCH-500VS- 5 BK
5452142	BCH-500VS-14 BK
5452153	BCH-508VS- 2 BK
5452154	BCH-508VS- 3 BK
5452155	BCH-508VS- 4 BK
5452156	BCH-508VS- 5 BK
5452158	BCH-508VS- 7 BK
5452165	BCH-508VS-14 BK