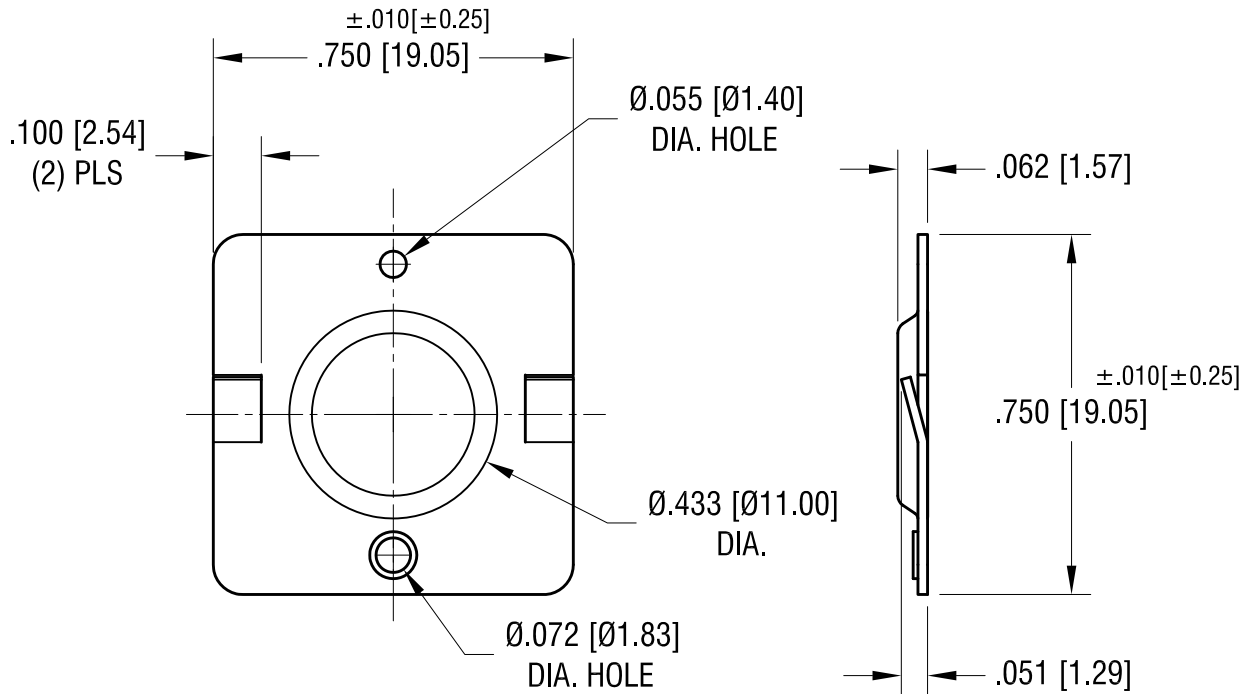
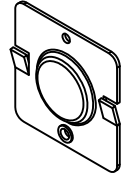


THIS DOCUMENT IS THE PROPERTY OF
KEYSTONE ELECTRONICS CORP. AND
SHALL NOT BE REPRODUCED, DISTRIBUTED
OR USED AS A BASIS FOR MANUFACTURE
WITHOUT PRIOR WRITTEN PERMISSION
FROM KEYSTONE ELECTRONICS CORP.

ACTUAL SIZE



KEYSTONE ELECTRONICS CORP.

www.keyelco.com • ASTORIA, N.Y. 11105-2017 • Tel (718) 956-8900

PART NAME

'C' CELL POSITIVE BATTERY CONTACT

MATERIAL

.020 [0.50] TH'K STEEL

FINISH

NICKEL PLATE

DRN BY

NT

DATE

3.27.09

APP'D

LN

SCALE

2.5X

11.17.09 CHANGE AS PER ECN 09-169

A

TOLERANCES

INCH [MM]

DECIMAL $\pm .005$ [± 0.15]

CODE

DWG NO.

ANGULAR $\pm 1^\circ$

C

UNLESS OTHERWISE SPECIFIED

5240

DATE

DESCRIPTION

REV.