

Shield connection terminal block - SK 8 VPE 500 - 3027954

Please be informed that the data shown in this PDF Document is generated from our Online Catalog. Please find the complete data in the user's documentation. Our General Terms of Use for Downloads are valid (<http://phoenixcontact.com/download>)



Shield connection clamp, for shield on busbars, contact resistance < 1 mOhm

Product Features

- Easy handling
- Spring-loaded, large-surface pressure plate
- Suitable for direct and busbar mounting
- Knurled screw



Key commercial data

Packing unit	1 pc
Minimum order quantity	500 pc
Weight per Piece (excluding packing)	15.16 GRM
Custom tariff number	85369010
Country of origin	Germany

Technical data

General

Number of levels	1
Number of connections	1
Color	silver
Connection in acc. with standard	IEC / EN

Dimensions

Length	19.5 mm
Width	12 mm
Height	48.70 mm

Connection data

Shield connection terminal block - SK 8 VPE 500 - 3027954

Technical data

Connection data

Screw thread	M4
Tightening torque max	0.6 Nm
Connection method	Screwing on

Classifications

eCl@ss

eCl@ss 4.0	27141131
eCl@ss 4.1	27141131
eCl@ss 5.0	27141131
eCl@ss 5.1	27141131
eCl@ss 6.0	27141150
eCl@ss 7.0	27141150
eCl@ss 8.0	27141150

ETIM

ETIM 2.0	EC000897
ETIM 3.0	EC000897
ETIM 4.0	EC000897
ETIM 5.0	EC000897

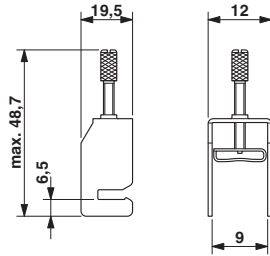
UNSPSC

UNSPSC 6.01	30211811
UNSPSC 7.0901	39121410
UNSPSC 11	39121410
UNSPSC 12.01	39121410
UNSPSC 13.2	39121410

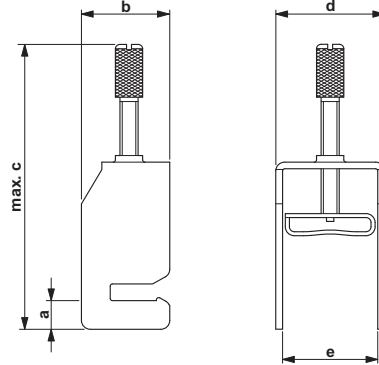
Drawings

Shield connection terminal block - SK 8 VPE 500 - 3027954

Dimensioned drawing



Dimensioned drawing



Diagram

