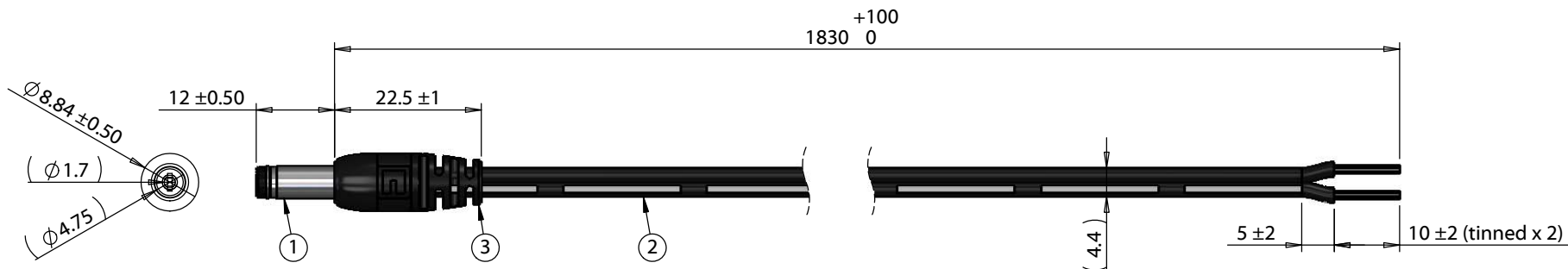


ITEM NO.	PART NUMBER	DESCRIPTION	QTY.	COMPONENT NOTES
1	50-00028	Connector, dc plug, 4.75x1.7xL20 mm, EIAJ-3, molding style, spring contacts	1	
2	30-00395	Wire, 2C TS, 18 AWG, UL2468, 300V, 80C, 4.4 mm, VW-1, PVC, 87A	1	
3	24-00001	Overmold, PVC	1	black



Wiring Diagram	
50-00028	wire color
center	black with stripe
sleeve	black

Revision:	Date:	Description:	Prepared:	Notes:	<h1>TENSILITY</h1> <p>tel 1.541.323.3228 800 877.670.7118 fax 1.541.323.4202 web tensility.com</p>
A	02/01/2018	Initial release	Verified:		
			Dimensions are in millimeters.	Function test: no open, no short circuit, no intermittent	Size: Part number:
			Tolerances:	Description:	A 10-02491
			X: ± 0.5 mm	Cable, 1830 mm, 4.75x1.7x12 mm 50-00028 dc plug to 10 mm tinned, 18 AWG, UL2468, 30-00395 wire	Scale: 1:1
			X.X: ± 0.3 mm		Sheet 1 of 1
			X.XX: ± 0.05 mm		

5

4

3

2

1