

# H-PIN H077

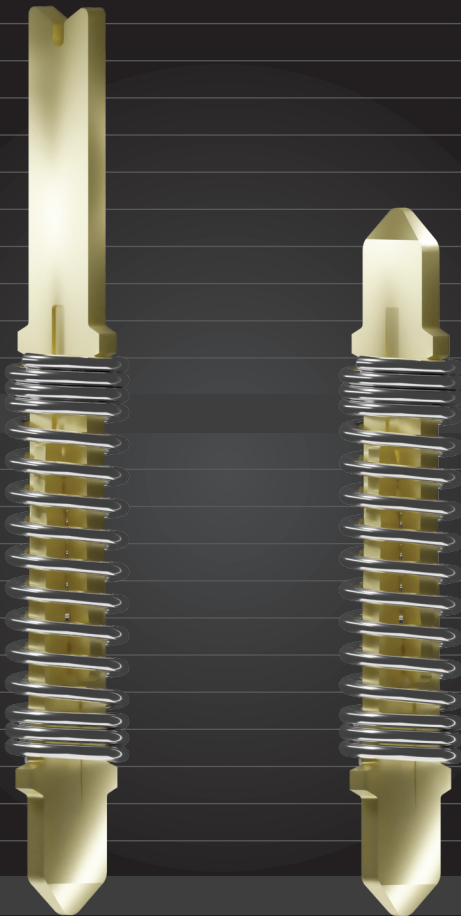


The H-Pin H077 Series has an outside diameter of 0.77 mm and supports applications 1.00 mm pitch and above.

6mm

3mm

0mm



H077GL1A

H077LL1A

## MECHANICAL PROPERTIES

PITCH:	1.0mm (min)
WORKING TRAVEL:	0.70mm
CONTACT FORCE:	34.9gf
FULL LENGTH:	4.45mm
COMPRESSED LENGTH:	3.75mm
OPERATING TEMPERATURE:	+180°C
MECHANICAL LIFE:	>125,000 cycles

## ELECTRICAL PROPERTIES

CONTACT RESISTANCE:	<30mΩ
CURRENT RATING (FREE AIR):	4.0 amp
SELF INDUCTANCE:	1.04nH
BANDWIDTH @ -1DB:	21.9GHz

## MATERIALS

STAMPED CONTACT:	BeCu , Au Plate
SPRING:	SS, Au Plate

## DOWNLOADS

PDF DATA SHEET



PDF SALES DRAWING/DESIGN GUIDE



PDF SIGNAL PERFORMANCE



PDF DC PERFORMANCE



# H-PIN

H077 X X X X

## H-PIN SERIES

H077 – 1.0mm

## TOP CONTACTOR

L – Standard LGA TIP

G – Large Array BGA

A – Large Array LGAA

## OPTIONS

A – Au Plating

## SPRING TYPE

(full Deflection)

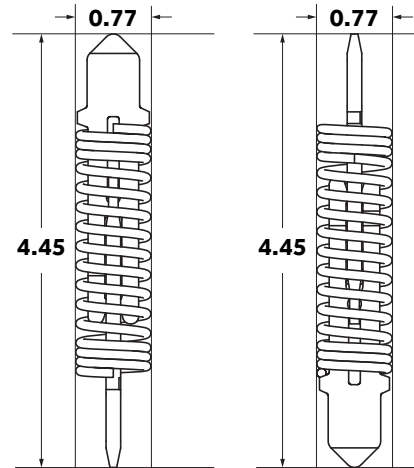
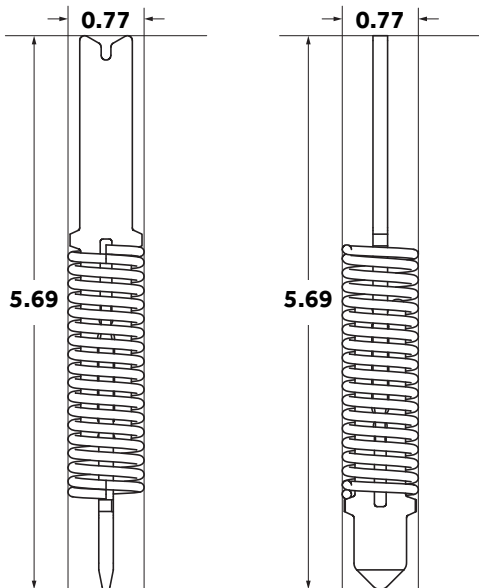
1 – 34.9gf

1 – 19.7gf

## BOTTOM CONTACTOR

L – Standard LGA

A – Long LGA Tip



H077GL1A

H077LL1A