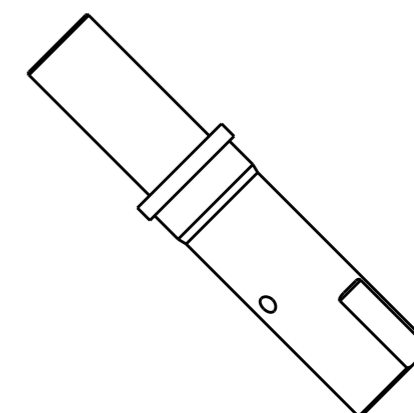
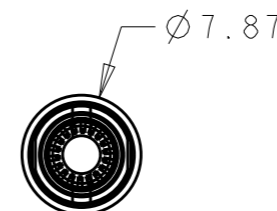
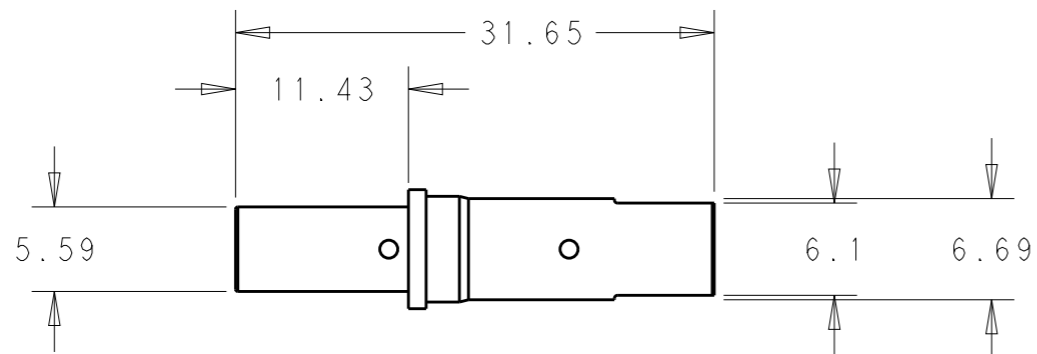


THIS DRAWING IS UNPUBLISHED. RELEASED FOR PUBLICATION 20
 © COPYRIGHT 20 BY - ALL RIGHTS RESERVED.

LOC	DIST	REVISIONS					
-	-	P	LTR	DESCRIPTION	DATE	DWN	APVD
			A	RELEASED	22MAR2013	DO	DO



1. PART NUMBER CHANGES AND/OR DESIGN CHANGES AFFECTING ITEM INTERCHANGEABILITY REQUIRES PRIOR TYCO ELECTRONICS APPROVAL AND AUTHORIZATION BY REVISION TO THIS DRAWING.


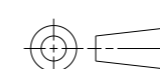
2 MATERIAL:
 BODY: COPPER ALLOY
 CROWN BAND: BERYLLIUM COPPER

3 FINISH:
 BODY: SILVER PLATE .000200 MIN THK. OVER NICKEL
 .000050 MIN THK.
 CROWN BAND: GOLD PLATE .000030 MIN THK. IN CONTACT AREA
 OVER NICKEL .000050 MIN THK.

4. ITEMS PROVIDED TO THIS SPECIFICATION TO BE PERMANENTLY IDENTIFIED ON THE CONTAINER PER THE FOLLOWING IDENTIFIER:

TYCO ELECTRONICS P/N YEAR] [WEEK
 _____ _____] [_____
 XXXXXXXX-X XXXX

AS SHOWN	6651903-1
DESCRIPTION	PART NUMBER

THIS DRAWING IS A CONTROLLED DOCUMENT.		DWN	D. ORRIS	22MAR2013	 TE Connectivity
DIMENSIONS: mm [INCHES]		CHK	D. ORRIS	22MAR2013	
		APVD	D. ORRIS	22MAR2013	
TOLERANCES UNLESS OTHERWISE SPECIFIED:		PRODUCT SPEC		NAME	
0 PLC ±- 1 PLC ±0.5 2 PLC ±0.13 3 PLC ±- 4 PLC ±- ANGLES ±-		APPLICATION SPEC		CONTACT, SOCKET, SIZE 8 M3X0.5 THREAD, REMOVABLE	
MATERIAL -		WEIGHT -		SIZE	RESTRICTED TO
FINISH -		CUSTOMER DRAWING		A300779	-
		SCALE 2:1		C-6651903	
		SHEET 1 OF 1			REV A