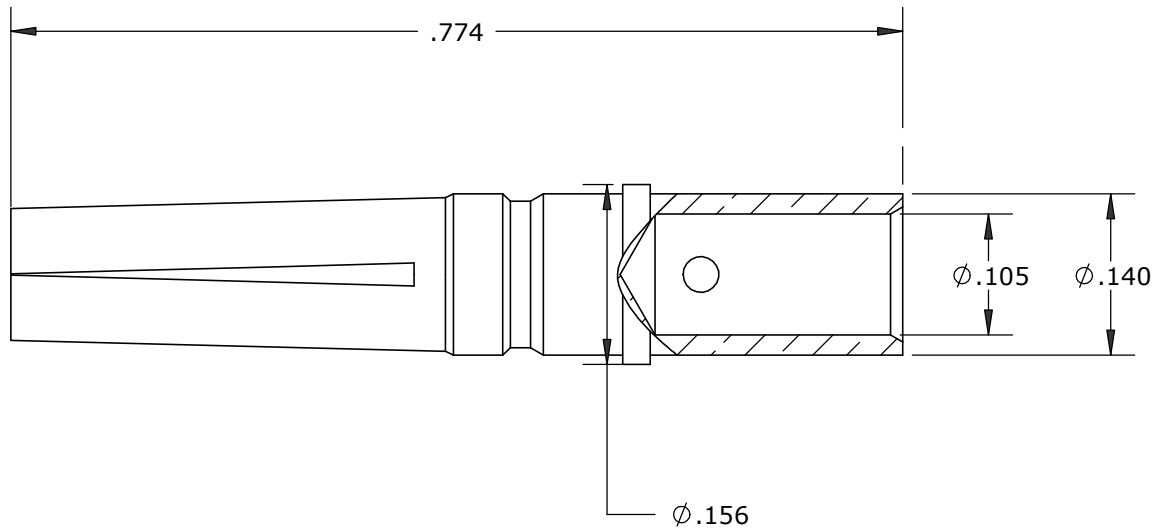


PART NUMBER: 484-RSG

CUSTOMER PRINT


NOTES:

1. MATERIAL: BRASS
2. FINISH: GOLD OVER NICKEL
3. ALL DIMENSIONS ARE REFERENCE



**PROPRIETARY**

THIS DOCUMENT CONTAINS CONFIDENTIAL INFORMATION PROPRIETARY TO CONXALL CORPORATION. ANY REPRODUCTION, DISCLOSURE, OR USE OF THIS DOCUMENT /INFORMATION IS EXPRESSLY PROHIBITED UNLESS AUTHORIZED IN WRITING BY CONXALL CORPORATION.

G	MA	11-04-20	ADDED CUSTOMER PRINT PER DOR 20-E149SL-35	
F	PD	07-26-12	UPDATED GAP LENGTH, SEE DRAWING 484-RS PER ECR 8272	
E	AN	05-05-11	PART WITHOUT PLATING WAS 484-RS ON NOTE 5 PER ECR 7860	
D	JAL	02-03-97	ADDED NOTE 7 PER ECR 2195	
REV.	INIT.	DATE	DESCRIPTION	
ALL INFORMATION ILLUSTRATED IS THE PROPERTY OF "CONXALL CORPORATION." UNAUTHORIZED DUPLICATION OR DISTRIBUTION OF THIS DOCUMENT IS PROHIBITED.			ORIG. DRAWN BY: RR	DATE: 02-14-92
ALL UNITS ARE IN FEET, INCHES, FRACTION OF INCHES AND DECIMALS.			CHECKED BY:	 601 E. WILDWOOD VILLA PARK, IL 60181
			APPROVED BY:	
			SCALE: NTS	SIZE: A
			SHEET: 1 OF 1	TITLE: #12 SOCKET CONTACT CRIMP TAIL, GOLD PLATED LARGE BARREL
			FILE: 484-RSG	CUSTOMER: STANDARD PRODUCT
			DIRECTORY: SLW	PART NUMBER: 484-RSG
				REV G