


## D-SUB panel mounting frames - VS-09-A-GC-ST/ST - 1689705

Please be informed that the data shown in this PDF Document is generated from our Online Catalog. Please find the complete data in the user's documentation. Our General Terms of Use for Downloads are valid (<http://phoenixcontact.com/download>)

D-SUB panel mounting frame, shell size 1, with nine signal contacts, pin, gender changer, shielded, IP67 degree of protection



### Key Commercial Data

Packing unit	5 pc
GTIN	 4 017918 929053
GTIN	4017918929053

### Technical data

#### Mechanical characteristics

Number of positions	9
Insertion/withdrawal cycles	≥ 200
Color	gray
Degree of protection	IP67
Type	D-SUB 9
Size of housing	1

#### Ambient conditions

Ambient temperature (operation)	-40 °C ... 80 °C
---------------------------------	------------------

#### Material data

Flammability rating according to UL 94	V0
Housing material	PA
Contact carrier material	Polyester GF
Contact material	Copper alloy
Contact surface material	Hard gold-plated over nickel
Material	Plastic
Sealing material	Flat gasket: NBR; profile gasket: EPDM
Seal material	Flat gasket: NBR; profile gasket: EPDM

## D-SUB panel mounting frames - VS-09-A-GC-ST/ST - 1689705

### Technical data

#### Material data

Height	27.9 mm
--------	---------

#### Electrical characteristics

Number of positions	9
Rated current	5 A
Overvoltage category	III
Degree of pollution	2
Rated voltage (III/3)	125 V

#### Standards and Regulations

Flammability rating according to UL 94	V0
--	----

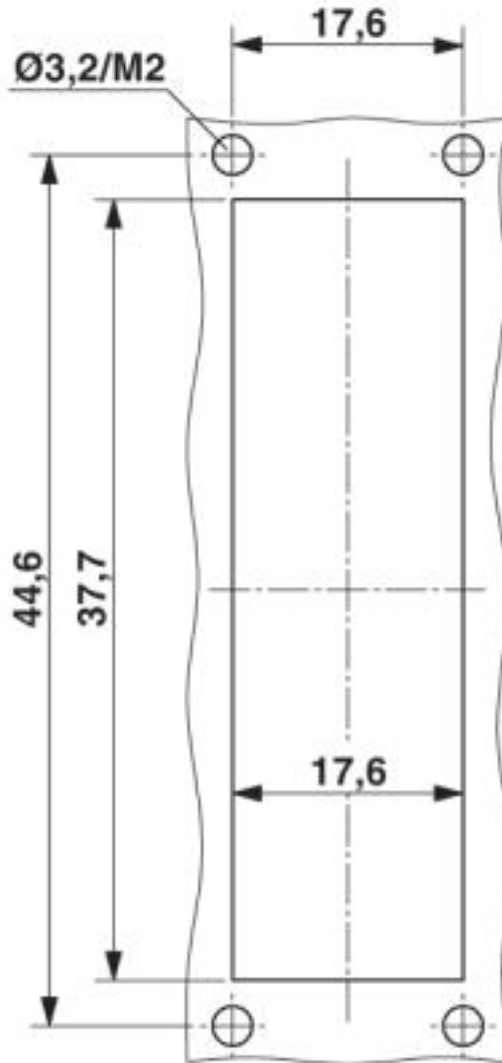
#### Environmental Product Compliance

REACH SVHC	Lead 7439-92-1
China RoHS	Environmentally Friendly Use Period = 50
	For details about hazardous substances go to tab "Downloads", Category "Manufacturer's declaration"

### Drawings

# D-SUB panel mounting frames - VS-09-A-GC-ST/ST - 1689705

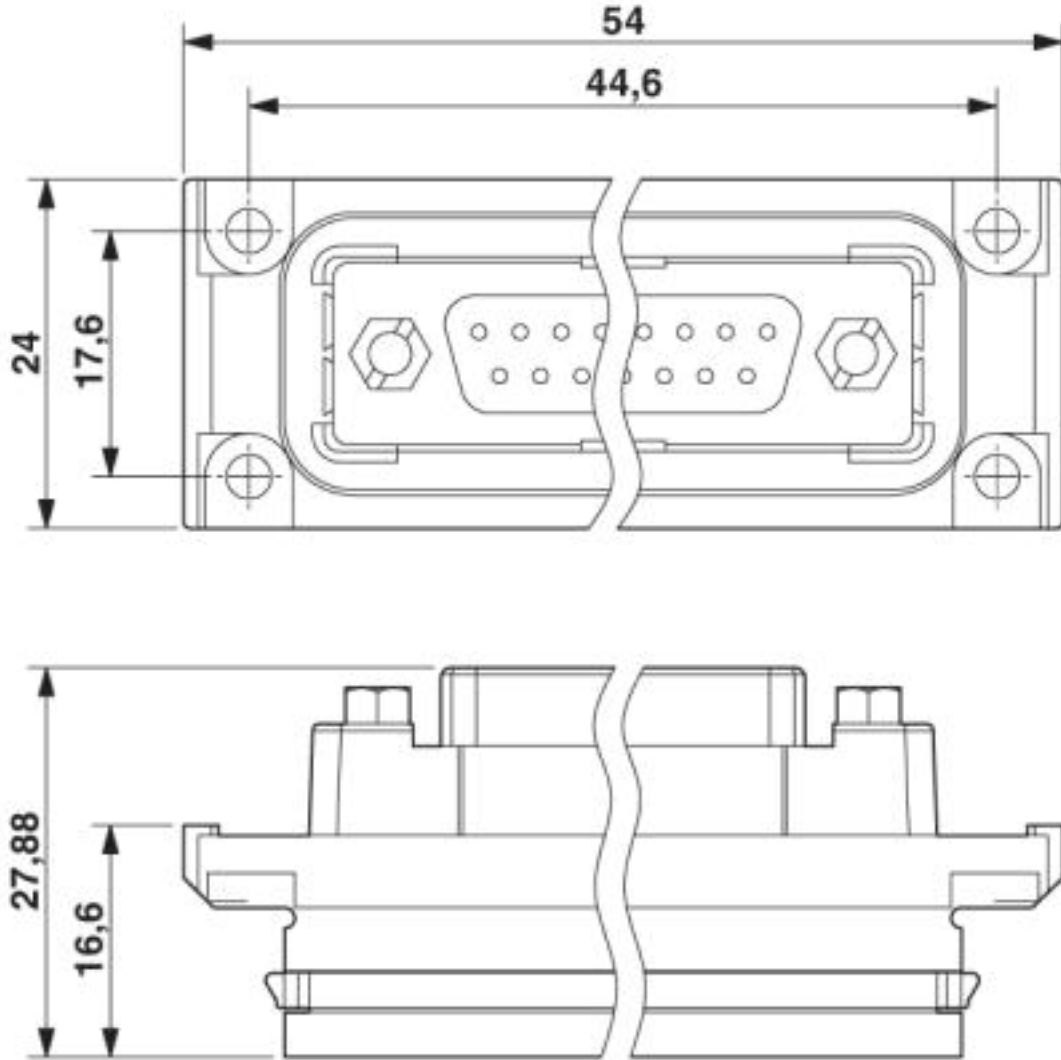
Dimensional drawing



Mounting cutout: VS-09-A...

# D-SUB panel mounting frames - VS-09-A-GC-ST/ST - 1689705

Dimensional drawing



D-SUB panel mounting frame

Approvals

Approvals

---

Approvals

EAC

---

Ex Approvals

---

Approval details

## D-SUB panel mounting frames - VS-09-A-GC-ST/ST - 1689705

### Approvals

EAC



B.01742

Phoenix Contact 2019 © - all rights reserved  
<http://www.phoenixcontact.com>

PHOENIX CONTACT GmbH & Co. KG  
Flachsmarktstr. 8  
32825 Blomberg  
Germany  
Tel. +49 5235 300  
Fax +49 5235 3 41200  
<http://www.phoenixcontact.com>