

FACE VIEW-FEMALE INSERT			FACE VIEW-MALE INSERT		
1 ORANGE 2 BLUE 3 BLACK 4 WHITE 5 RED 6 GREEN/YELLOW	1 WHITE/BLACK 2 BLACK 3 WHITE 4 RED 5 ORANGE 6 BLUE 7 GREEN/YELLOW	1 ORANGE 2 BLUE 3 WHITE/BLACK 4 BLACK 5 WHITE 6 RED 7 GREEN/YELLOW 8 RED/BLACK	1 ORANGE 2 BLUE 3 BLACK 4 WHITE 5 RED 6 GREEN/YELLOW	1 WHITE/BLACK 2 BLACK 3 WHITE 4 RED 5 ORANGE 6 BLUE 7 GREEN/YELLOW	1 ORANGE 2 BLUE 3 WHITE/BLACK 4 BLACK 5 WHITE 6 RED 7 GREEN/YELLOW 8 RED/BLACK

PART NUMBER LEGEND

226022A01F01011

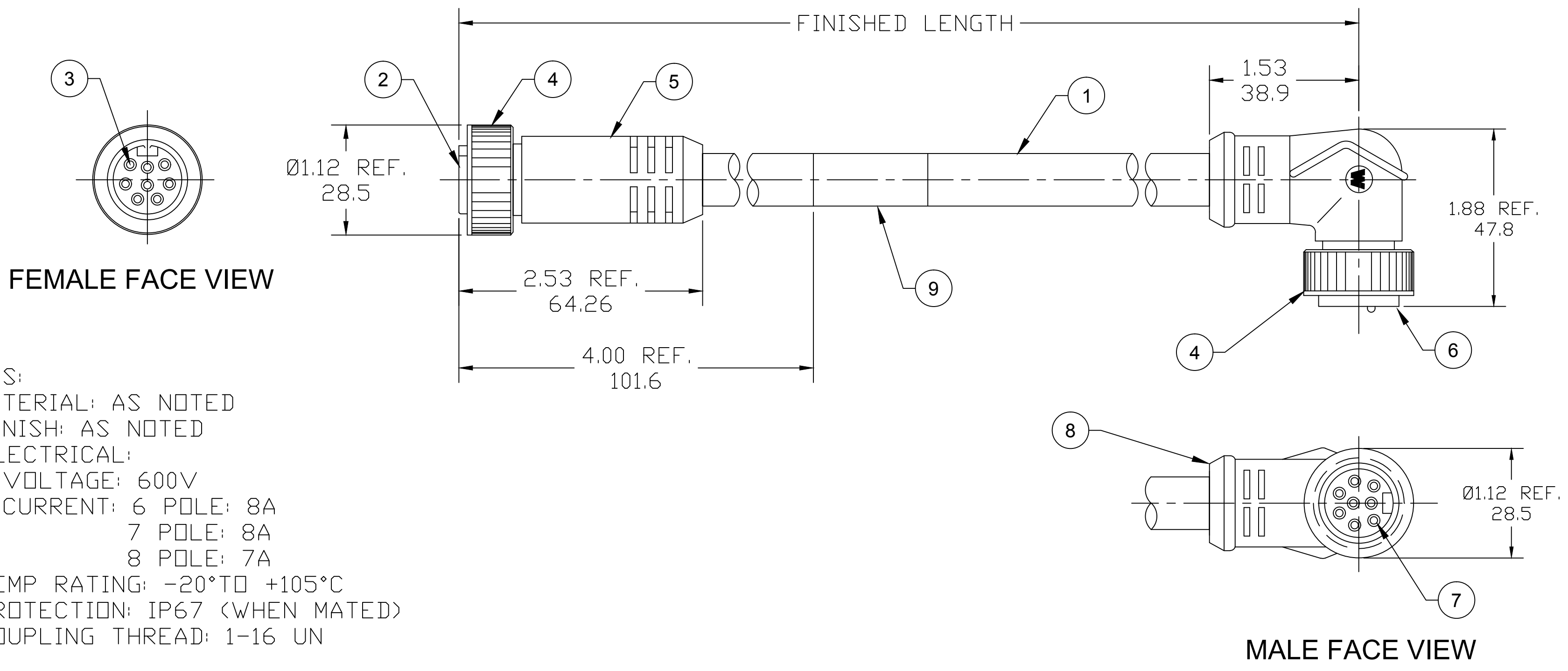
POLES →

COUPLING: BLANK= STD (SEE BOM)
1= 303 STAINLESS ST.

FINISHED LENGTH (FEET): F001= .1 FT
F010= 1 FT
F100= 10 FT

FINISHED LENGTH (METRIC): M001= 0.1 METER
M010= 1 METER
M100= 10 METER

CABLE: 16 AWG ST00W



- NOTES:
- MATERIAL: AS NOTED
 - FINISH: AS NOTED
 - ELECTRICAL:
VOLTAGE: 600V
CURRENT: 6 POLE: 8A
7 POLE: 8A
8 POLE: 7A
 - TEMP RATING: -20° TO +105°C
 - PROTECTION: IP67 (WHEN MATED)
 - COUPLING THREAD: 1-16 UN

ITEM	DESCRIPTION	MATERIAL	FINISH
9	WRAP LABEL	VINYL	BLACK/YELLOW
8	OVERMOLD (90 DEG MALE)	PVC	YELLOW
7	CONTACT PIN	COPPER ALLOY	GOLD PLATED
6	MALE INSERT (B-SIZE)	PVC	YELLOW
5	OVERMOLD (STRAIGHT FEMALE)	PVC	YELLOW
4	COUPLING NUT, INTERNAL THREAD	ZINC DIE-CAST	BLACK
3	CONTACT SOCKET	COPPER ALLOY	GOLD PLATED
2	FEMALE INSERT (B-SIZE)	PVC	YELLOW
1	CABLE, 16 AWG, ST00W	PVC JACKET	YELLOW

EC NO: IPG2017-0018 DRWN: RSTONE 2016/07/08 CHKD: K COX APPR: TWOLDEGE 2016/08/19 RELEASED	QUALITY SYMBOL ▽=0 ▽=0	GENERAL TOLERANCES (UNLESS SPECIFIED) 4 PLACES ±--- ±--- 3 PLACES ±--- ±--- 2 PLACES ±0.13 ±.01 1 PLACE ±0.3 ±--- ANGULAR ±2°	DIMENSION STYLE IN/MM DRAWN BY: RSTONE DATE: 2016/07/08 CHECKED BY: K COX DATE: --- APPROVED BY: TWOLDEGE DATE: 2016/08/19	SCALE: --- DESIGN UNITS: INCH THIRD ANGLE PROJECTION
	DRAFT WHERE APPLICABLE MUST REMAIN WITHIN DIMENSIONS		MATERIAL NO.: - SIZE: C	TITLE: MINI-CHANGE CABLE ASSY. MALE 90D / FEM STRAIGHT 16AWG PVC MOLEX INCORPORATED DOCUMENT NO.: SD-130011-005 SHEET NO.: 1 OF 1
	THIS DRAWING CONTAINS INFORMATION THAT IS PROPRIETARY TO MOLEX INCORPORATED AND SHOULD NOT BE USED WITHOUT WRITTEN PERMISSION			
	A			